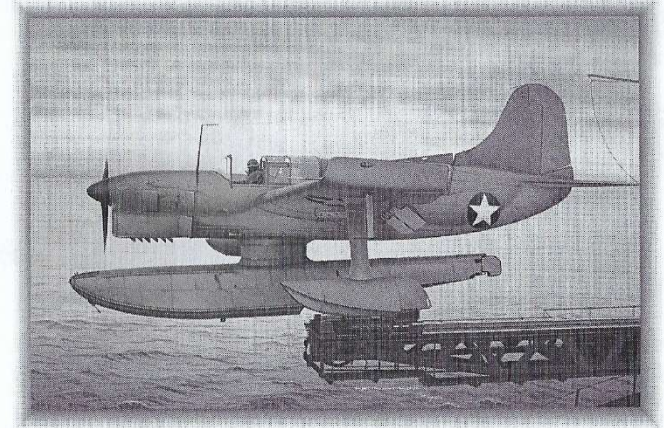
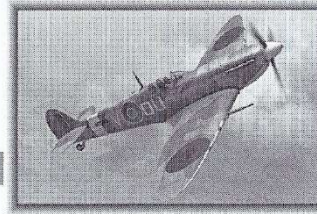
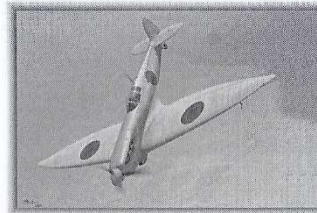
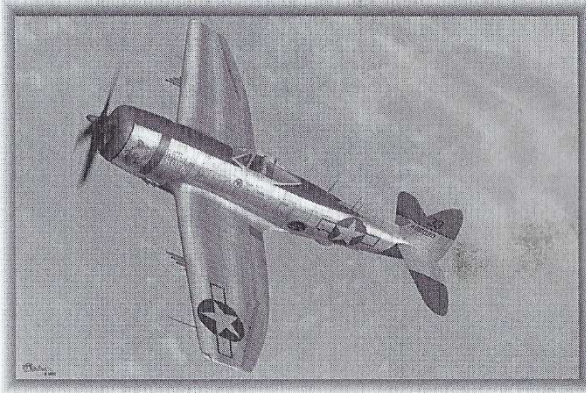
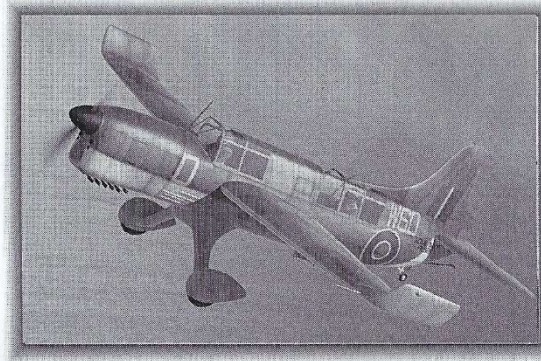
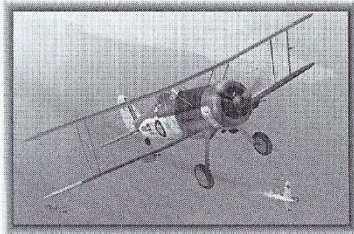
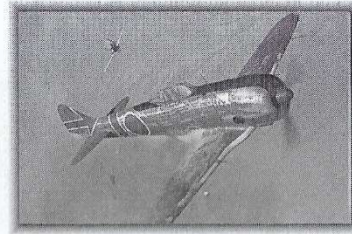


# Curtiss Seamew FL



The SOC-3 'Seamew' was developed to replace the biplane SOC 'Seagull' that was used as a scouting biplane and general utility service. Design work started in 1937 and construction was a mid-winged monoplane powered by a Ranger in-line inverted 'vee' 12 cylinder air cooled engine. The aircraft had folding wing for shipboard storage and be able to operate on floats and wheels. The prototype flew in late 1939 and was facing the problems from the very beginning. The worst of them were engine cooling and stability. Increasing the opening in the engine cowling and adding more cooling flaps solved cooling issue. The stability situation was fixed by enlarging the dorsal fin and addition of upswept wing tips.

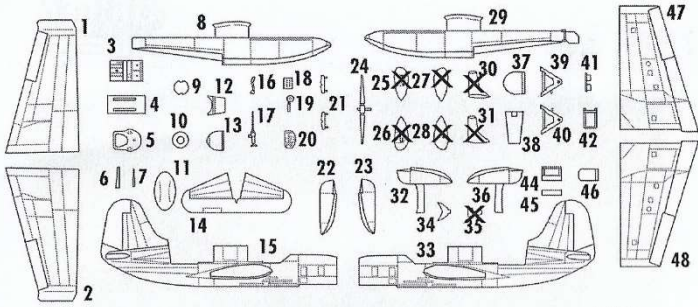
Production began in 1940 with the first plane leaving the assembly lines in early 1942. Approximately 350 were delivered to the US Navy with another 200 going to the Royal Navy. Service soon showed that the aircraft was a poor substitution of biplane SOC "Seagulls". The main reason was undoubtedly lack of sufficient power. The average life span on board ships was about two months with the type being replaced as soon as possible by refurbished SOC 'Seagull' biplanes. Some early SOC3s were used as radio-controlled air targets. British experience was similarly poor with those aircraft often converted to land planes and used for utility work.



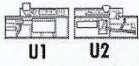


# Curtiss Seamew W

scale: 1/72



URETHAN



U3

U4

U5

U6

U5 U6

U5 U6

U5 U6

U5 U6

U5 U6

U5 U6

U5 U6

U5 U6

U5 U6

U5 U6

U5 U6

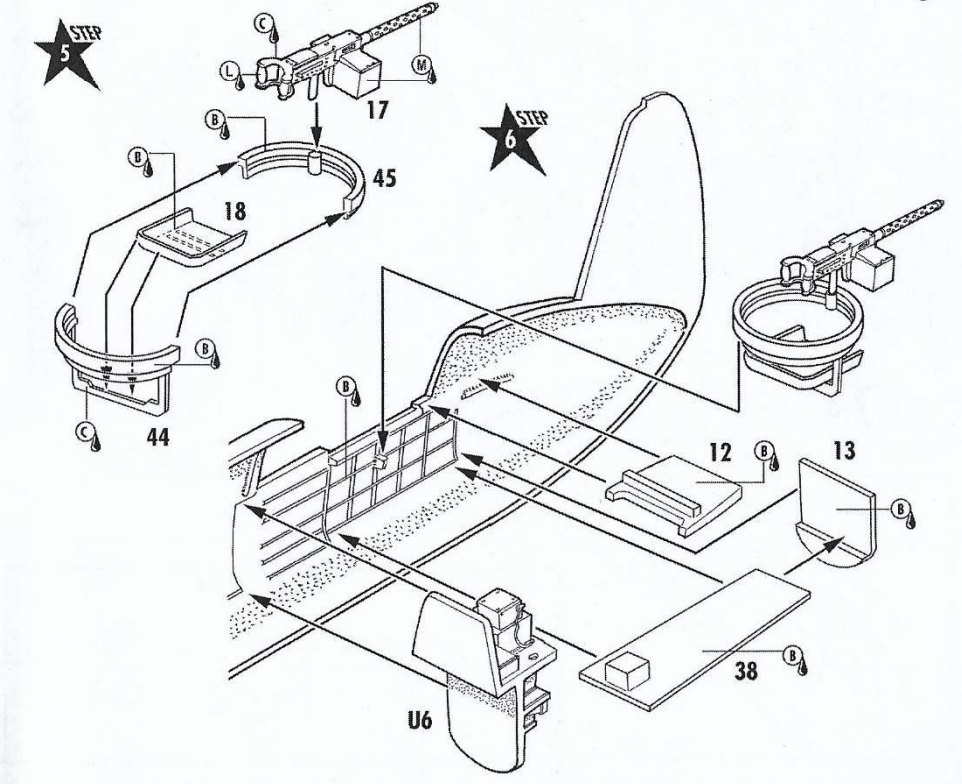
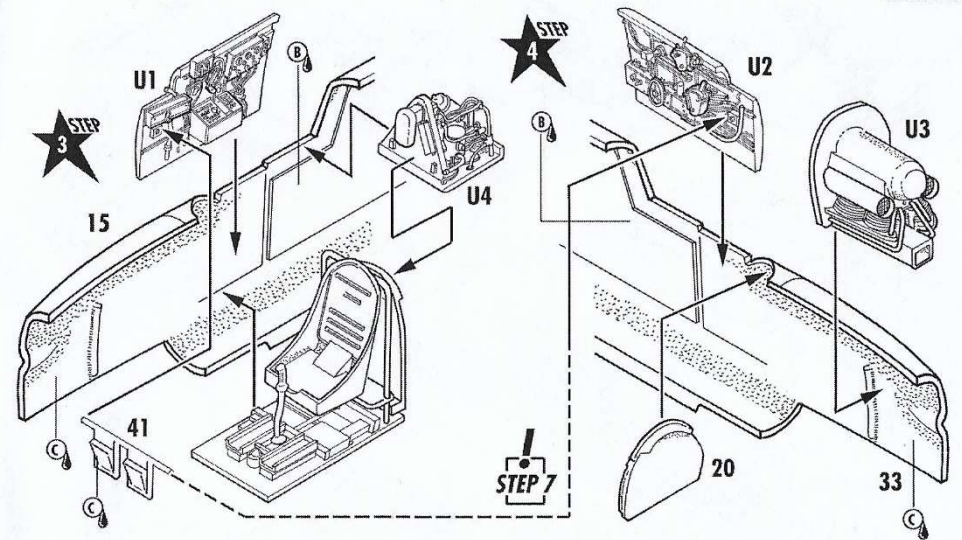
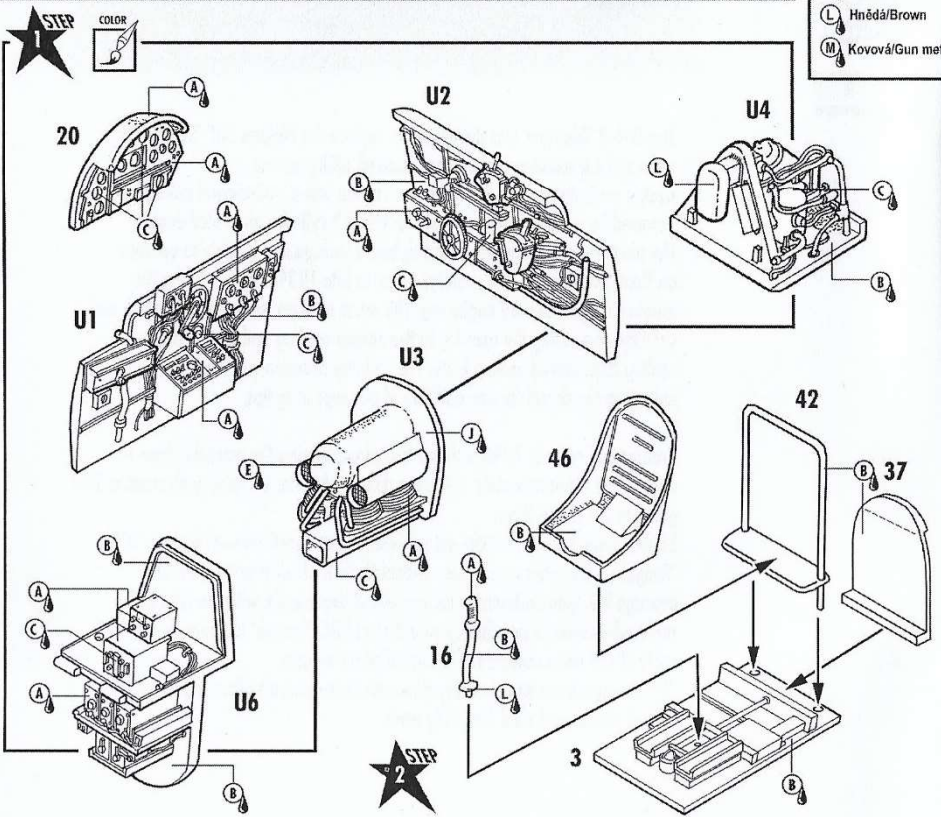
U5 U6

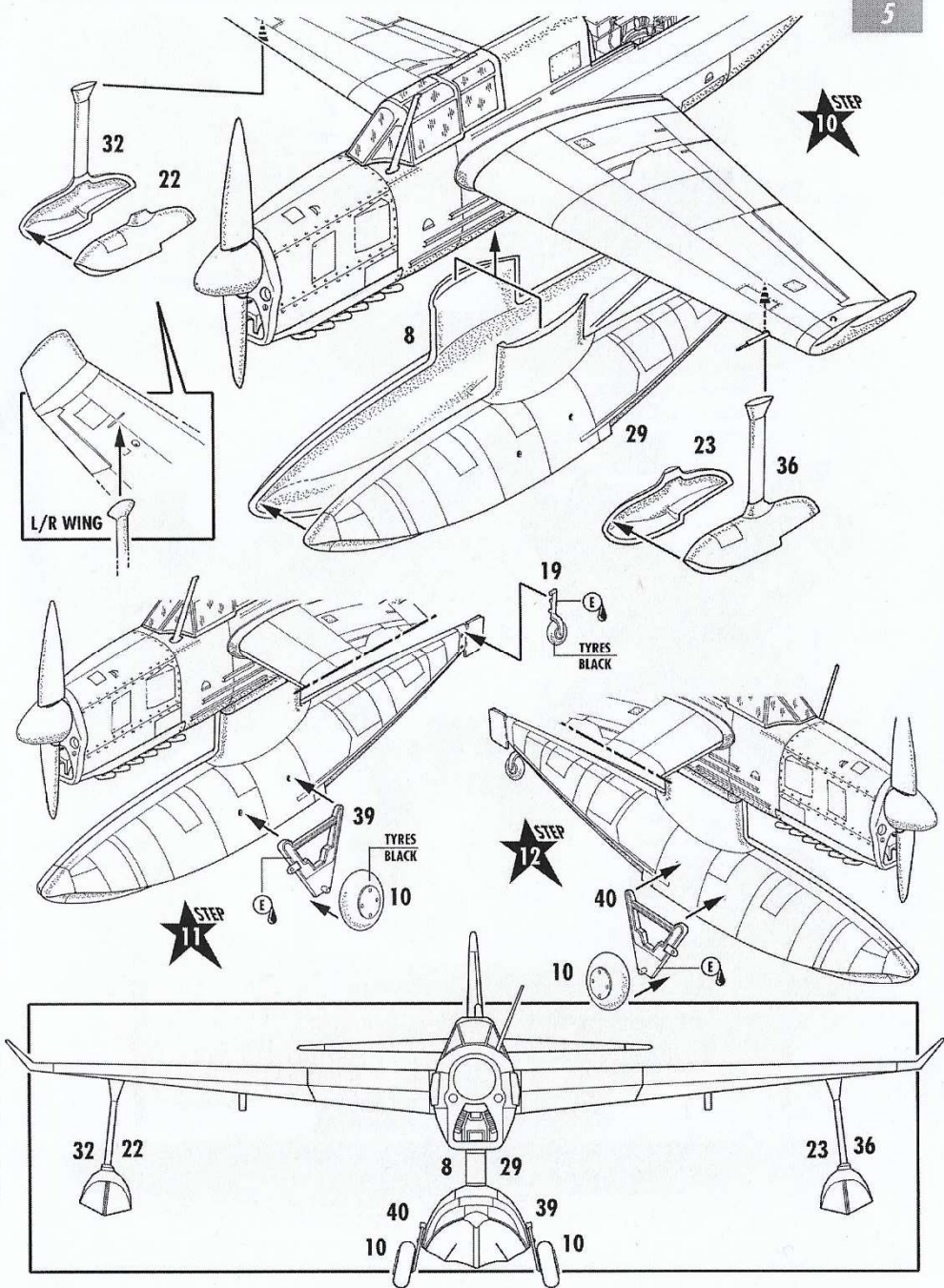
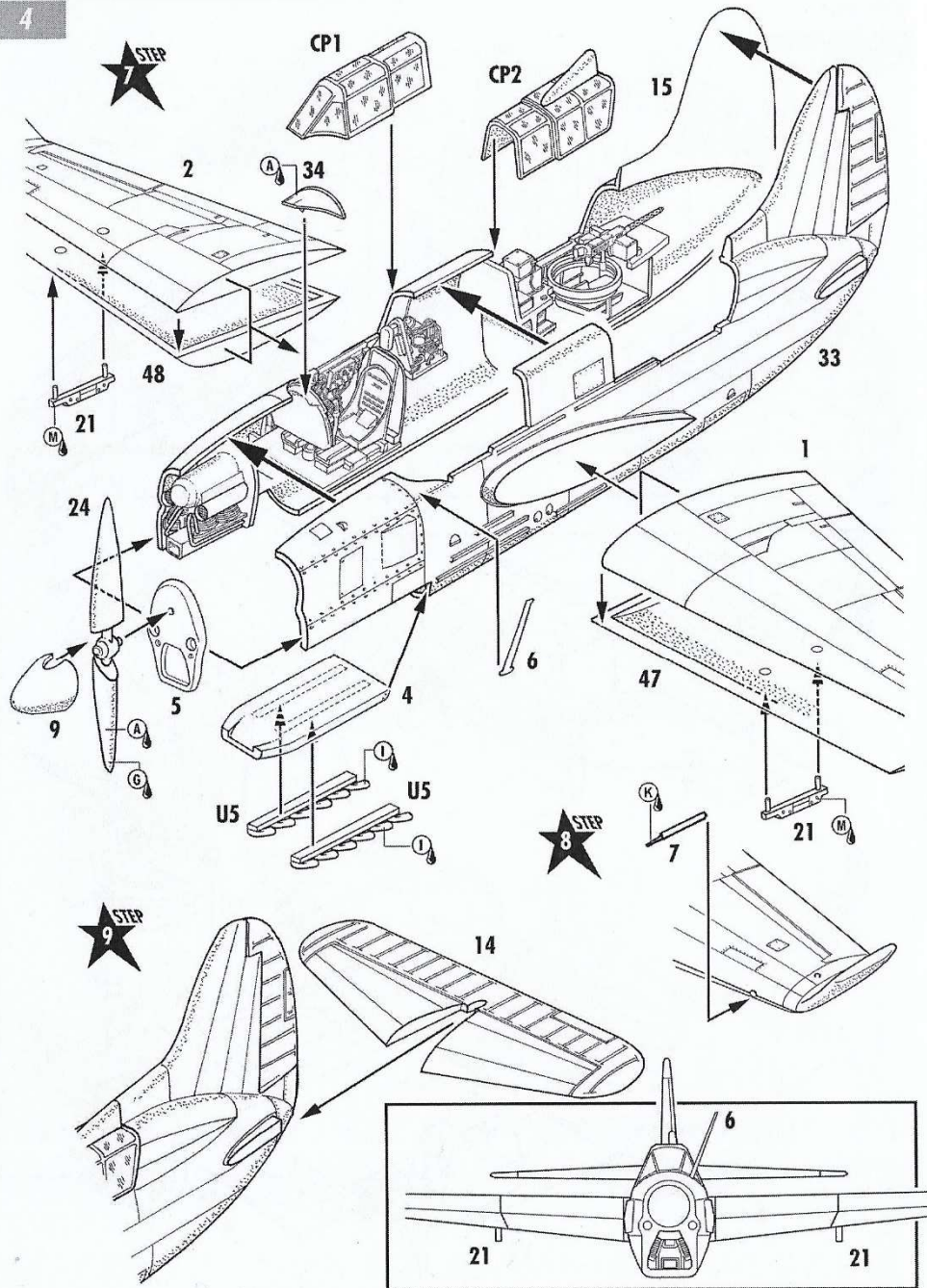
U5 U6

CLEAR

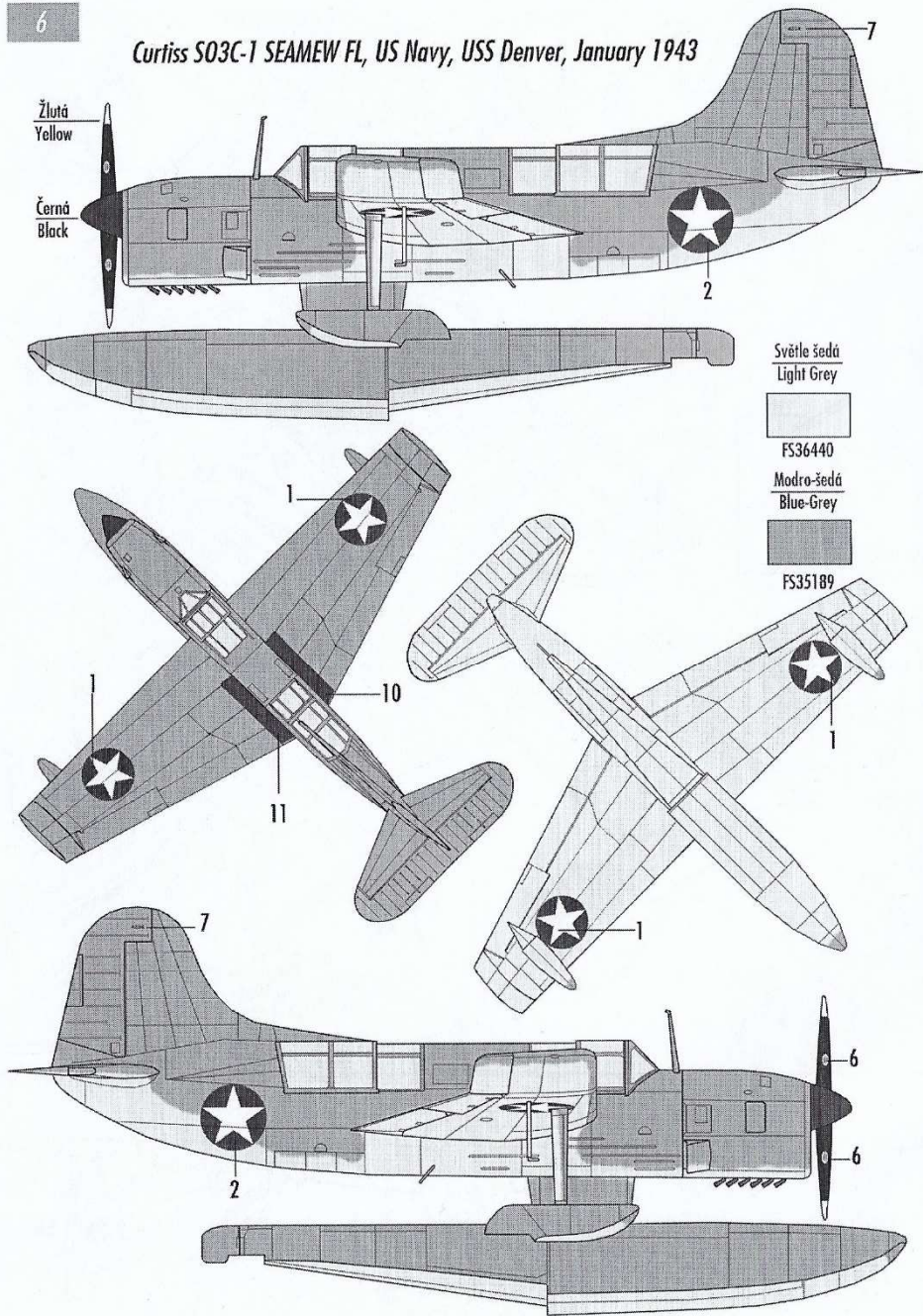


BARVA / COLOR	
A	Černá/Black
B	Interiorní zelená/ Interior Green
C	Stříbrná/Silver
D	Hliník/Aluminium
E	Světle šedá/ Light Grey
F	Červená/Red
G	Žlutá/Yellow
H	Zelená/Green
I	Rezavý/Rust
J	Špinavý hliník/ Dirty Aluminium
K	Chromová/ Chrome
L	Hnědá/Brown
M	Kovová/Gun metal

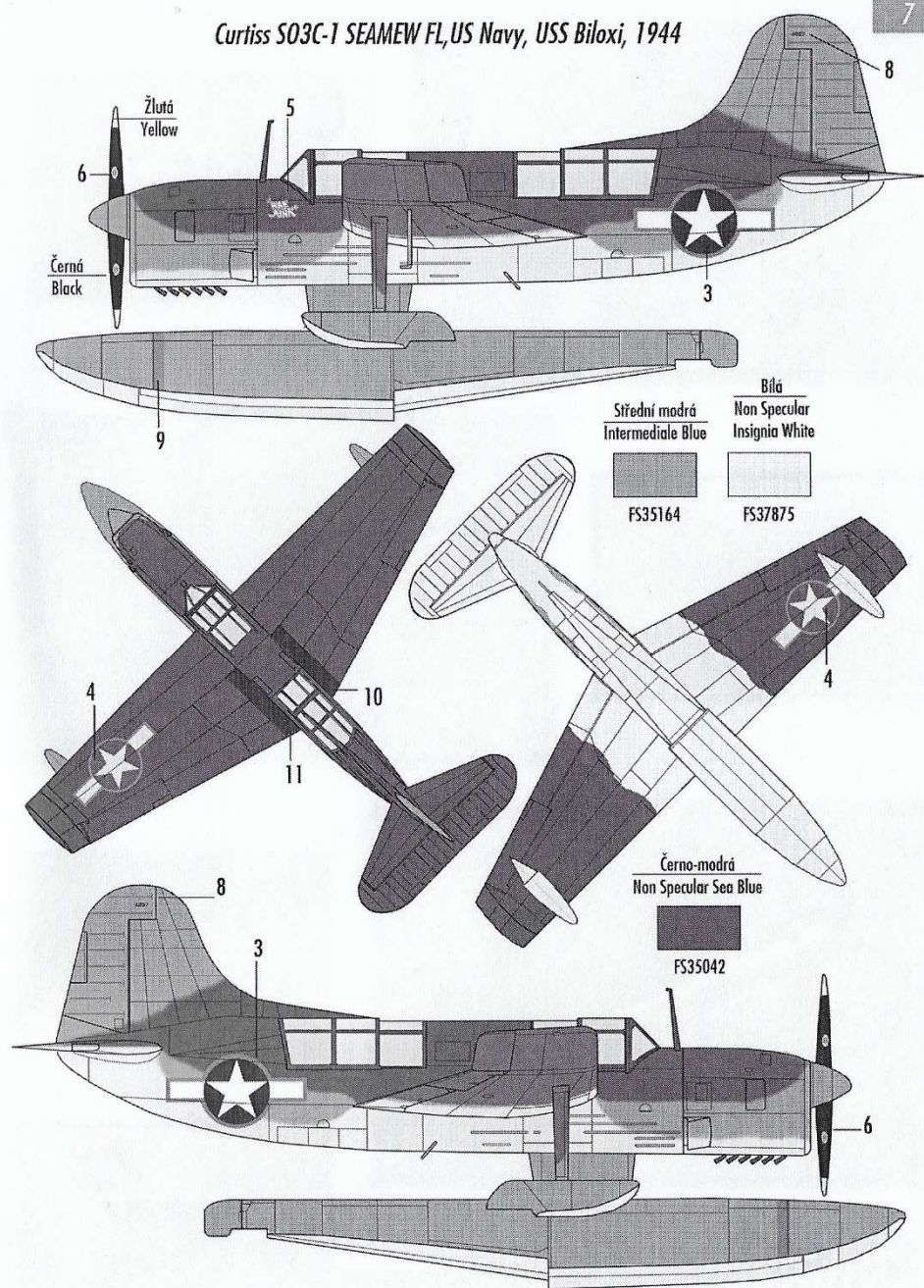




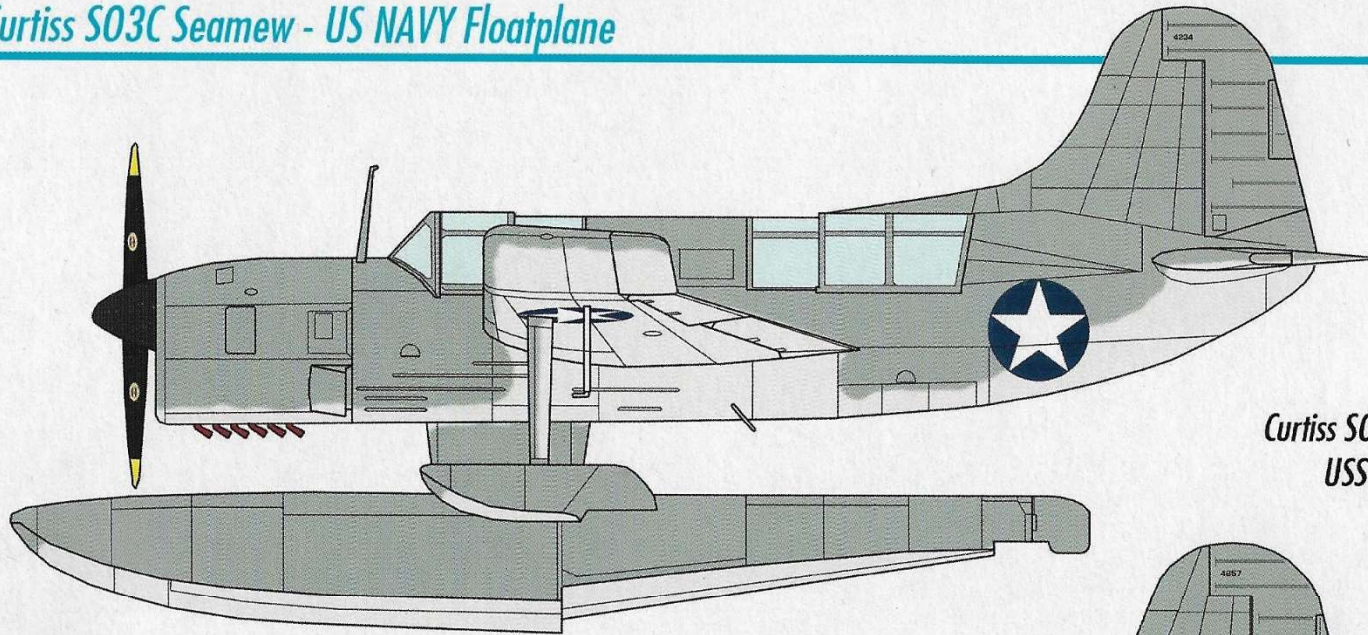
## Curtiss SO3C-1 SEAMEW FL, US Navy, USS Denver, January 1943



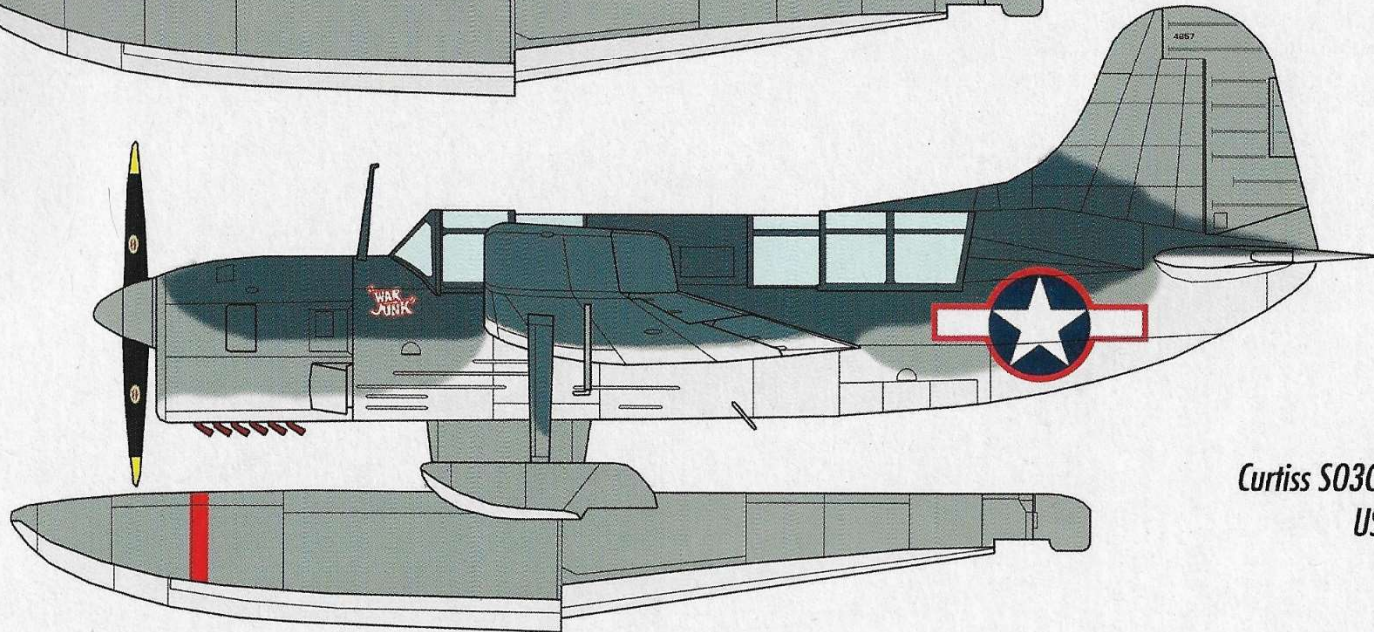
## Curtiss SO3C-1 SEAMEW FL, US Navy, USS Biloxi, 1944



*Curtiss SO3C Seamew - US NAVY Floatplane*



*Curtiss SO3C-1 SEAMEW FL, US Navy,  
USS Denver, January 1943*



*Curtiss SO3C-1 SEAMEW FL, US Navy,  
USS Biloxi, 1944*

*SW 72048 (scale 1/72)*