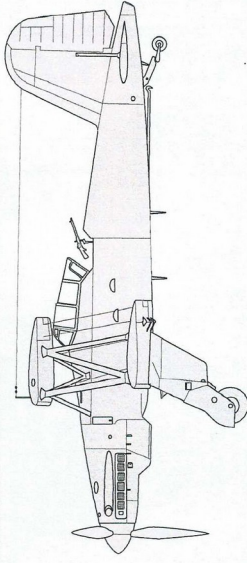


AZ model
Plastic kits
Plastic model
scale 1/72

Fieseler Fi 167



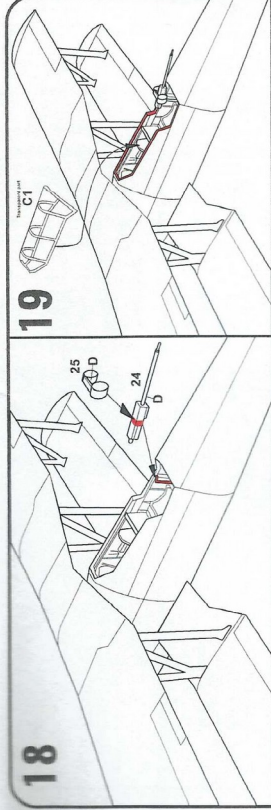
History in brief

The Fieseler Fi 167 was a 1930s German biplane torpedo and reconnaissance bomber designed for use from the Graf Zeppelin class aircraft carriers under construction from 1936 to 1942. Two prototypes (Fi 167 V1 and V2) were built, followed by twelve pre-production models (Fi 167 A-0) which had only slight modifications from the prototypes. The Fi 167's short-field landing and load-carrying abilities made it ideal for transporting ammunition and other supplies to besieged Croatian Army garrisons, between their arrival in September 1944 and the end of the war. During one such mission, near Sisak on 10 October 1944, an Fi 167 of the Air Force of the Independent State of Croatia, flown by eight-kill ace Bozidar Bartulovic, was attacked by five North American Mustang Mk IIIs of No. 213 Squadron RAF. Three Mustangs' pilots, Sqn Ldr Clifford Vos and Sgts D.E. Firman and W.E. Mould, claimed a "single engine biplane, possibly a Fi 167" over Martinska Ves. Bartulovic was wounded in the head and the aircraft set alight, but Bartulovic's gunner, Mate Jurkovic, before bailing out, claimed one of the Mustangs. British records stated that Mould's aircraft was hit in the combat and wrecked in a subsequent crash-landing, possibly one of the last biplane "kills" of the war

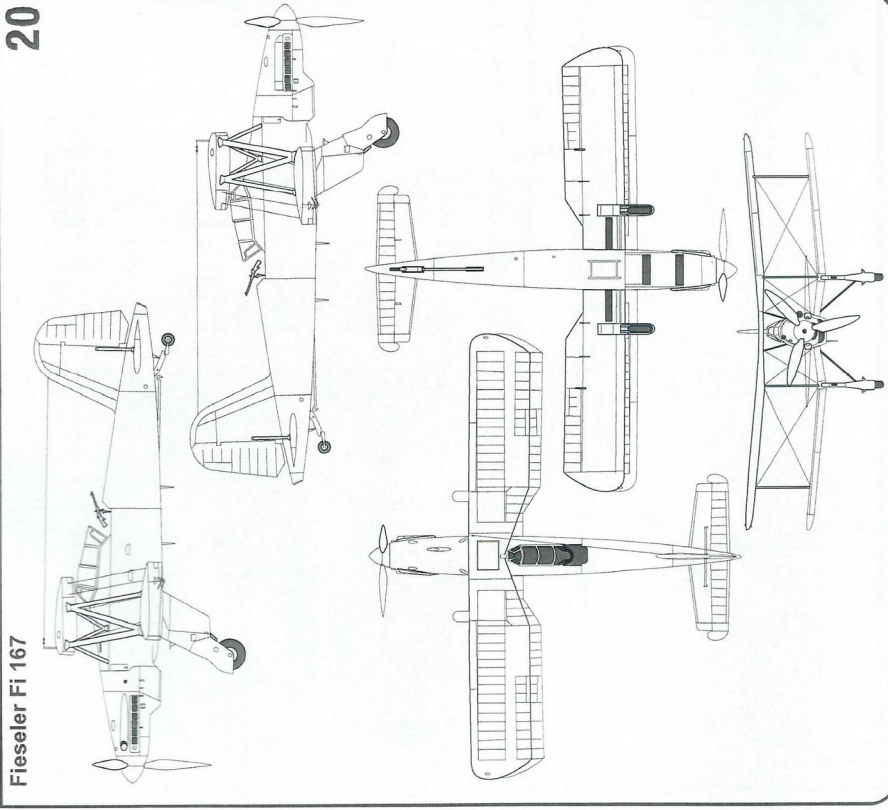
Symbols/Symboly



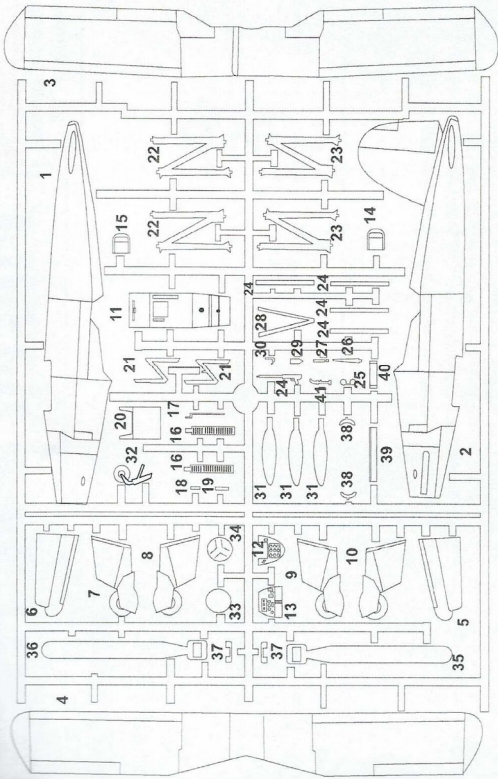
Colour name	Humbrol	Colour name	Humbrol
A RLM 22 Black	H83	G Aluminium	H56
B RLM 21 White	H34	H RAL 01 Silver	H11
C RLM 66 Black Grey	H67	I RLM 24 Blue	H25
D Gunmetal	H53	J RLM 23 Red	H50
E RLM 70 BlackGreen	H241	K RLM 02 Grey	H240
F RLM 04 Yellow	H24	L RLM 26 Brown	H113



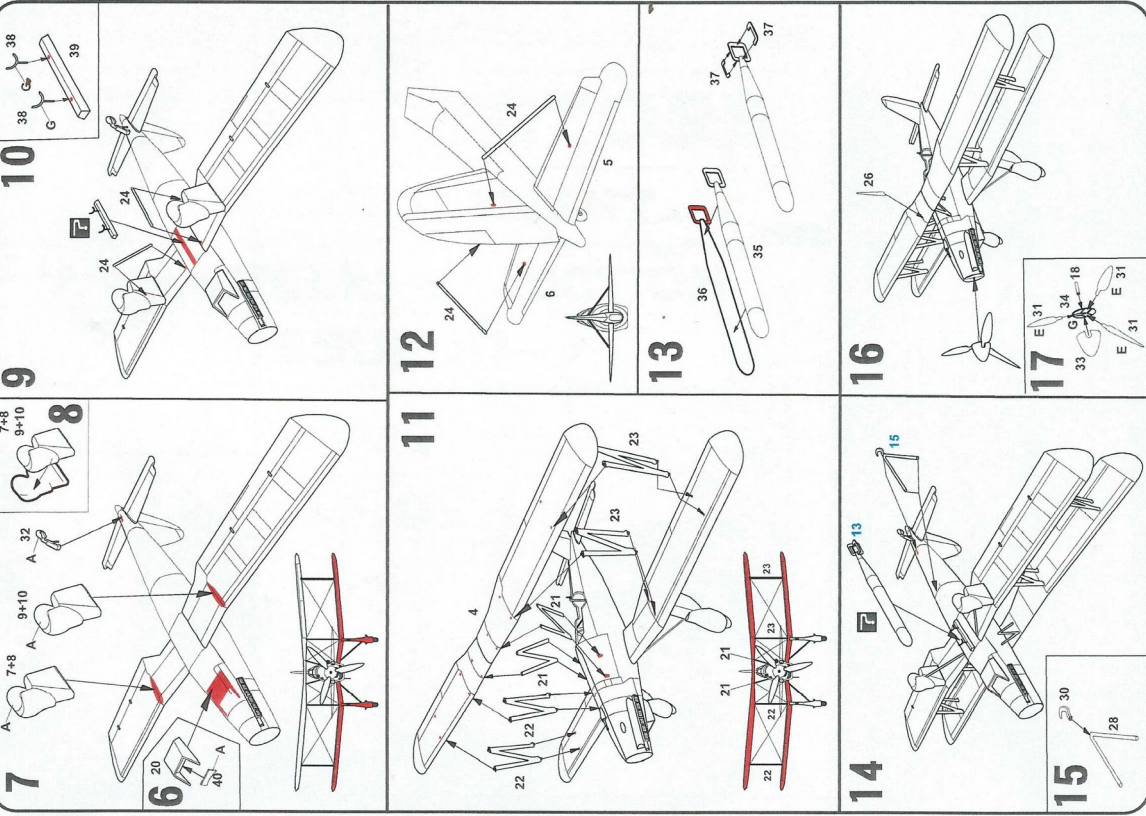
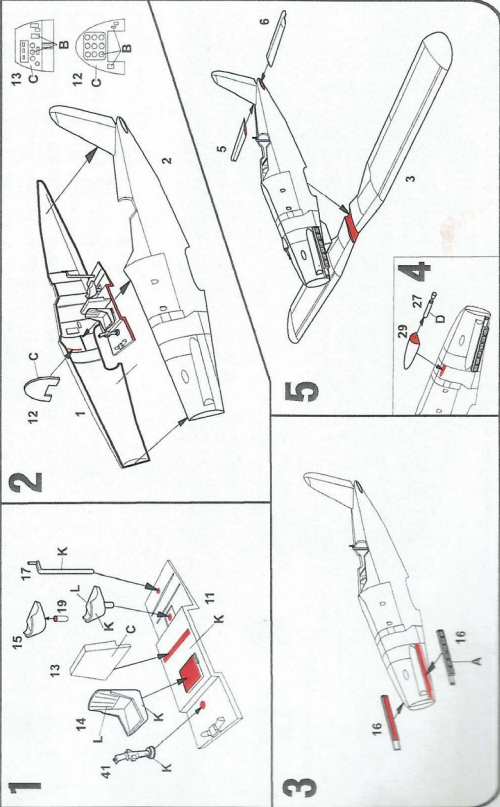
Fieseler Fi 167



Plastic parts/Plastikové díly

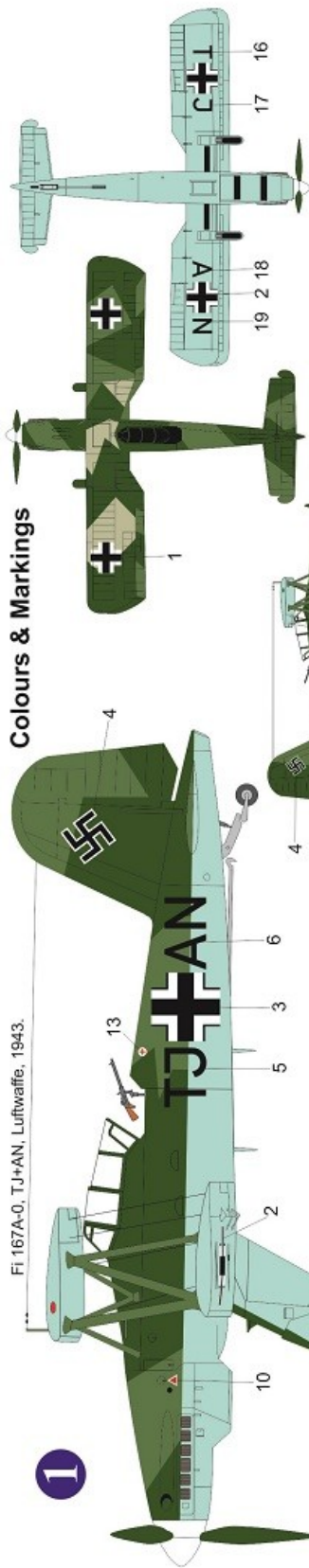


**Clear parts/
Průhledné díly**

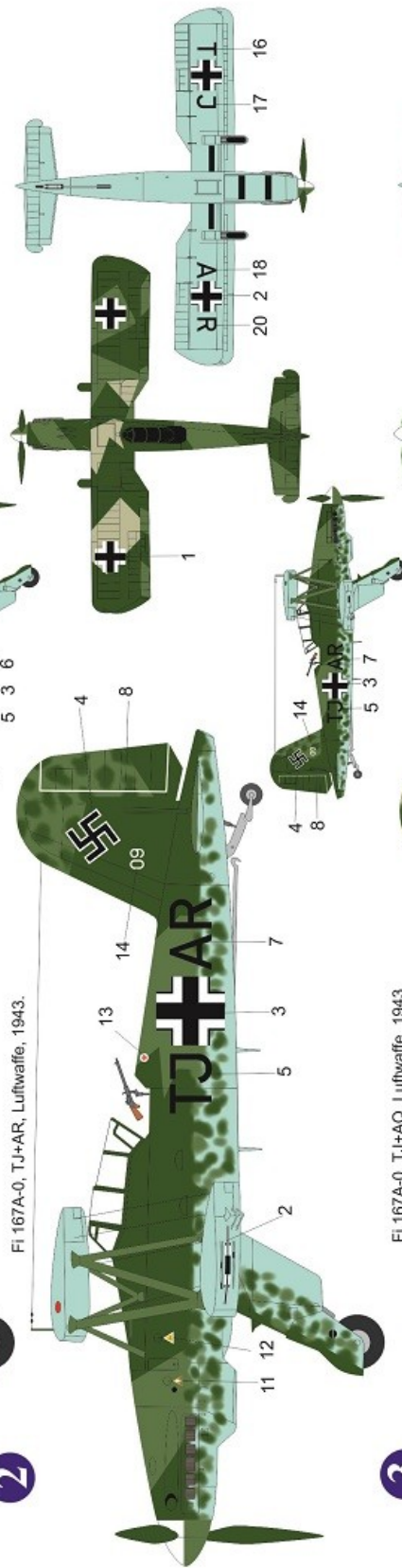


Colours & Markings

1 Fi 167A-0, TJ+AN, Luftwaffe, 1943.









2 Fi 167A-0, TJ+AR, Luftwaffe, 1943.



3 Fi 167A-0, TJ+AQ, Luftwaffe, 1943.



-  Dark Green, RLM 71
-  Black, RLM 70
-  Light Blue, RLM 65
-  Yellow, RLM 02
-  White
-  Steel

