

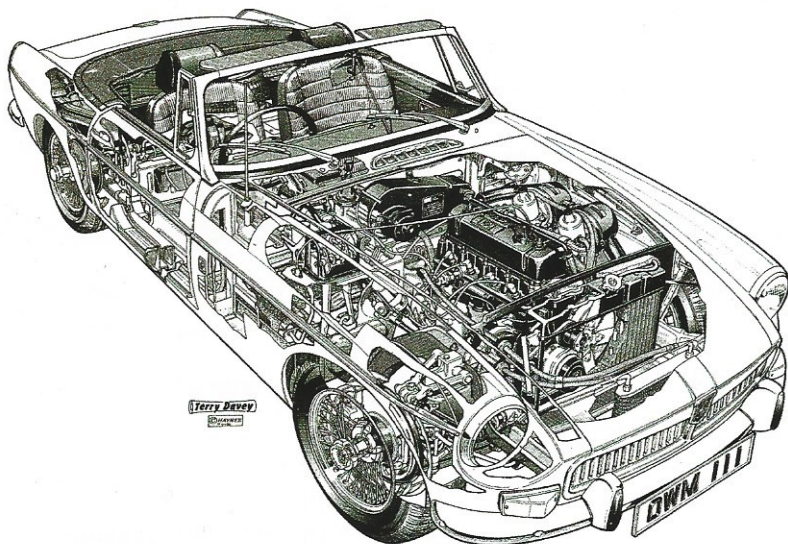


1/32 SCALE MODEL CONSTRUCTION KIT

MGB



Haynes Construction Kit Assembly Manual



The MGB

The first MGB, a Roadster model, rolled off the production line in 1962, powered by BMC's 1800 B-series engine. This affordable car captured perfectly the free spirit of the Sixties, and won instant acclaim from both the press and public, becoming one of the most popular sports cars of the era. The MGB's light weight, made possible by its monocoque body – an innovation at that time – meant that performance was brisk, with a 0–60mph time of 11 seconds.

The Roadster model made up the bulk of production. From 1965, a GT coupé was added to the range. There was also an MGC, with an in-line 6-cylinder engine, and the ultimate incarnation, the MGB GT V8. Neither of these models sold in large numbers.

The Haynes *Owners Workshop Manual* for the MGB was first published in 1973.

Hints and Tips

- It is advisable for an adult to cut parts from the sprues using a sharp modelling knife, and remove any burrs before assembly.
- It is a good idea to study the drawings and practice assembly before cementing parts together.
- All parts are numbered using either small tags adjacent to each part on the sprues or on the part itself – these numbers correspond to those appearing in the assembly manual.
- Small parts can be painted before removing from their sprues for assembly.
- Use polystyrene cement to glue the parts together.
- Carefully scrape any excess plastic (flash) and paint from surfaces to be cemented together.
- To apply decals, cut the relevant decal from the sheet as required, dip in warm water for a few seconds, then slide off the backing and position as shown. Press the decal lightly into position using a soft cloth.

WARNING!

For children over 8 years of age only. For use under adult supervision.

CAUTION!

Read the instructions before use, follow them and keep them for reference.

IMPORTANT SAFETY INFORMATION

Please read before commencing any of the activities

THIS PRODUCT IS INTENDED FOR CHILDREN AGED 8 YRS PLUS

ADULT SUPERVISION REQUIRED.

Chemical used in product:

POLY CEMENT (ADHESIVE) - BUTYL ACETATE

EC 204-658-1

CAS 123-86-4



Flammable

Keep well away from naked flame.
Do not inhale the fumes from the burning material.

Safety Advice

- Do not allow the adhesive to come into contact with any part of the body, particularly the mouth and eyes.
- Repeated exposure may cause skin dryness or cracking.
- Contact lenses should not be worn when working with this adhesive!
- Wash hands after carrying out activities.
- Clean all equipment after use.
- Do make sure all containers are fully closed and properly stored after use in a cool dry place.
- Keep the product away from food and drink, pets and young children.
- The adhesive is flammable. Keep away from heat, sparks and open flames.

First Aid

In case of skin contact: Wash affected area with plenty of water. If persistent irritation occurs after washing seek medical advice. In case of eye contact: Wash out eye with plenty of water for at least 15 minutes, holding eye open. Seek immediate medical advice. If swallowed, wash out mouth with water; drink some fresh water. Do not induce vomiting and seek immediate medical advice. In case of inhalation of fumes move to fresh air at once. Vapours may cause drowsiness and dizziness. Seek medical attention. In case of doubt seek medical advice without delay. Take the adhesive and this instruction leaflet with you. In case of injury always seek medical advice.

Record the telephone number of your local hospital in the box below. (Write the number in NOW so you do not have to search for it in an emergency)

Telephone Local Hospital:

N.B: Take the adhesive with you to the hospital!

Study drawings and practice assembly before cementing parts together. Carefully scrape plating and paint from cementing surfaces. All parts are numbered. Paint small parts before assembly. To apply decals cut sheet as required, dip in warm

water for a few seconds, slide off backing into position shown. Use in conjunction with box artwork.

ASSEMBLY ICON INSTRUCTIONS



Assembly step



Cement



Do not cement together



Alternative parts provided



Repeat this operation



Decals



Clear part



Weight



Drill or pierce



Cut



Humbrol paint colour

Stage 1

Front suspension

- Paint the components using the colour numbers shown before assembly.
- Cement the parts together in the order shown.

Parts List

- 1,2 Front coil spring/damper
3,4 Front lower wishbones
5,6 Front suspension upright/hub assembly
7 Front suspension crossmember

Stage 2

Front suspension, floor pan and rear springs

- Paint the components using the colour numbers shown before assembly.
- Cement the parts together in the order shown.

Parts List

Parts List

- 1/ Front suspension assembly (from Stage 1)
8 Floor pan
9, 10 Rear leaf springs

Stage 3

Engine and transmission

- Paint the components using the colour numbers shown before assembly.
- Cement the parts together in the order shown.

Parts List

- 11, 12 Engine/transmission half
13 Inlet manifold/carburettors
14 Exhaust manifold
15 Cam cover
16 Fan belt
17 Cooling fan
18 Propeller shaft

Stage 4

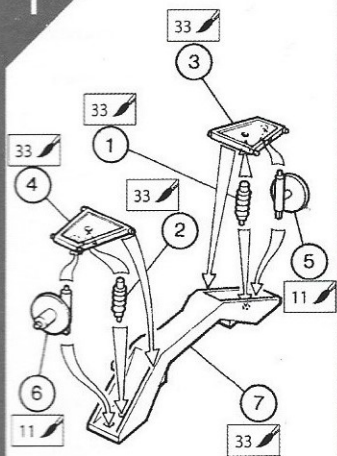
Fitting the engine/transmission and rear axle

- Paint the components using the colour numbers shown before assembly.
- Cement the parts together in the order shown.

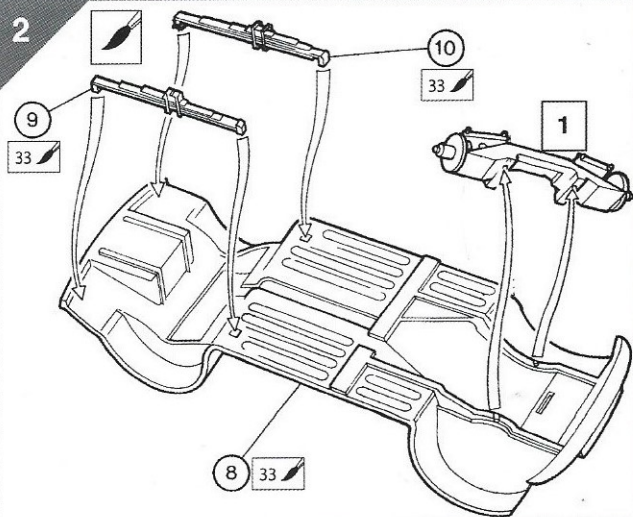
Parts List

- 2/ Floor pan/rear leaf spring assembly (from Stage 2)
3/ Engine/transmission assembly (from Stage 3)
19 Rear axle
20 Radiator/front panel

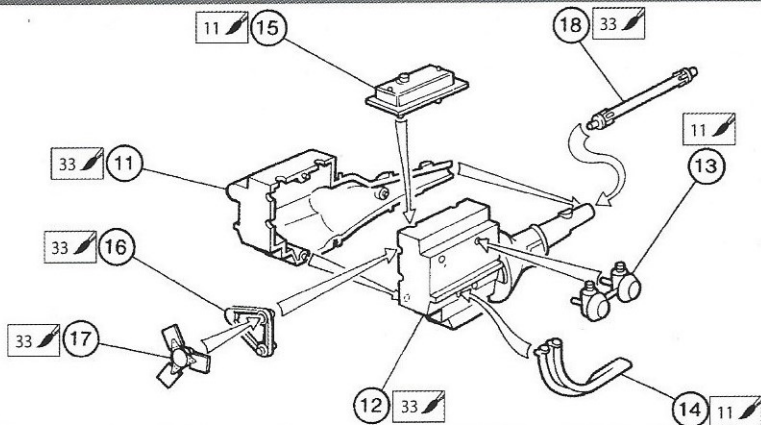
1



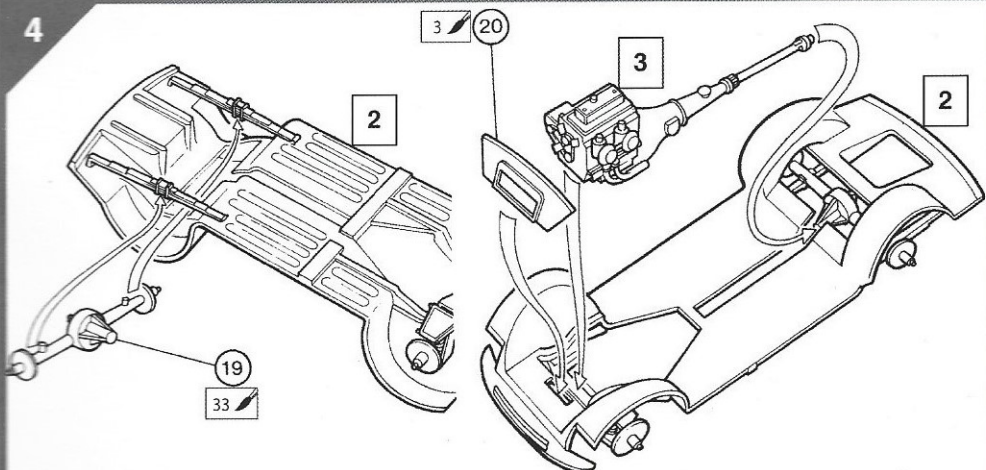
2



3



4



Stage 5

Wheels

- Paint the components using the colour numbers shown before assembly.
- Cement the parts together in the order shown.

Parts List

21-24 *Wheel*

25-28 *Tyre*

Stage 6

Fitting the wheels

Note: Do not glue the wheel pivots into position in the wheels.

- Paint the components using the colour numbers shown before assembly.
- Cement the parts together in the order shown.

Parts List

4/ *Floor pan/engine/transmission/rear axle assembly (from Stage 4)*

5/ *Wheel/tyre assembly (from Stage 5)*

29-32 *Knock-off wheel nuts*

Stage 7

Interior

- Paint the components using the colour numbers shown before assembly.
- Cement the parts together in the order shown.

Parts List

33 *Handbrake*

34 *Interior shell*

35 *Gear lever*

36 *Pedal assembly*

37 *Centre console*

38, 39 *Seats*

Stage 8

Bodyshell, facia and bonnet

- Paint the components using the colour numbers shown before assembly.
- Cement the parts together in the order shown.

Parts List

40 *Bodyshell*

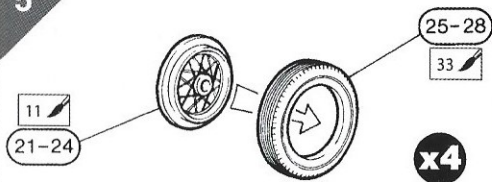
41 *Bonnet*

42, 43 *Bonnet hinge*

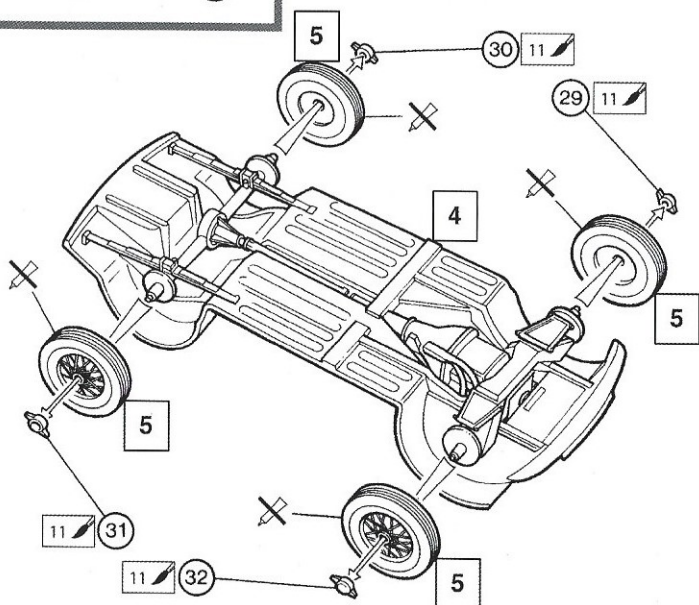
44 *Steering wheel*

45 *Facia*

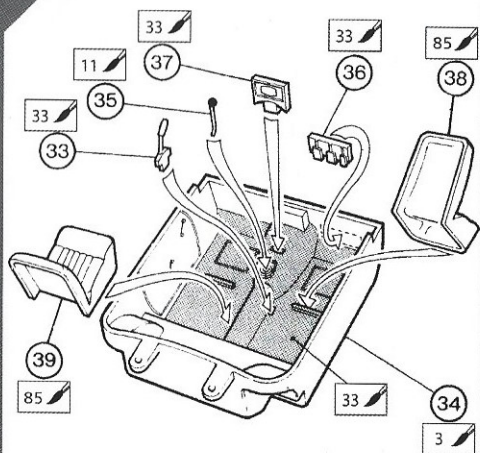
5



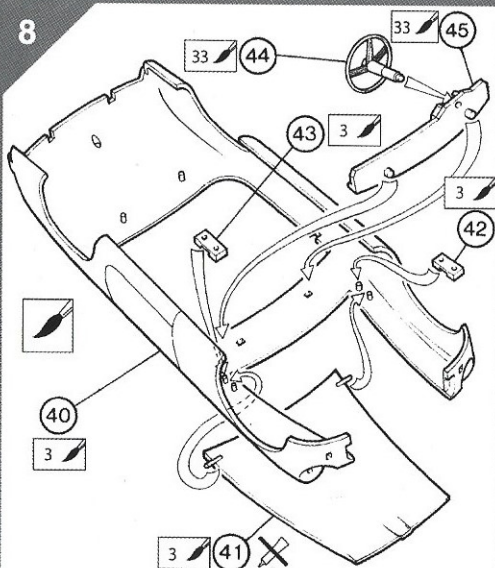
6



7



8



Stage 9

Assembling bodyshell components

- Paint the components using the colour numbers shown before assembly.
- Cement the parts together in the order shown.

Parts List

- 7/ Interior assembly (from Stage 7)
- 8/ Bodyshell assembly (from Stage 8)
- 46 Front grille
- 56, 57 Door handle
- 58 Boot lid handle
- Clear plastic component

Stage 10

Assembling bodyshell and floor pan

- Paint the components using the colour numbers shown before assembly.
- Cement the parts together in the order shown.

Parts List

- 6/ Floor pan/drivetrain assembly (from Stage 6)
- 9/ Bodyshell assembly (from Stage 9)
- 59 Front bumper
- 60 Rear bumper
- 61 Exhaust system

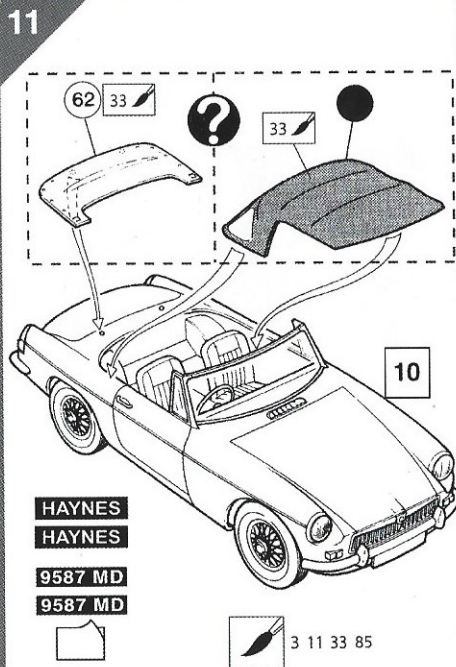
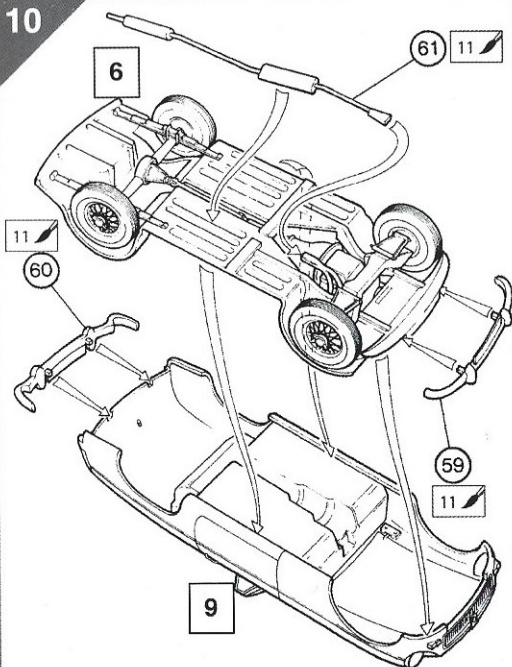
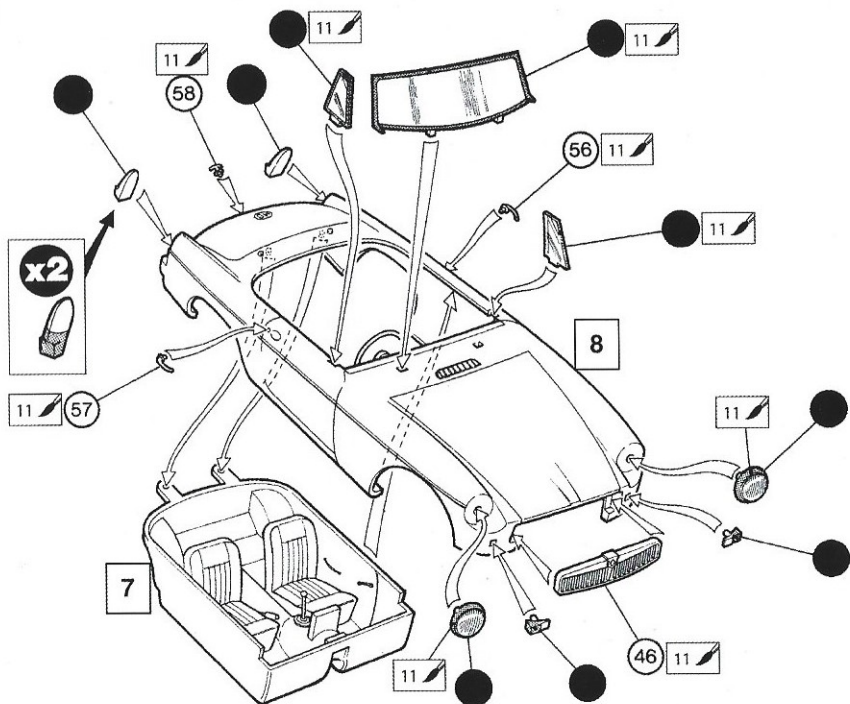
Stage 11

Hood

- Paint the components using the colour numbers shown before assembly.
- Cement the parts together in the order shown.

Parts List

- 10/ Completed car (from Stage 11)
- 62 Folded roof – roof down
- Raised roof (clear plastic) – roof up



HAYNES
HAYNES
9587 MD
9587 MD

CAUTION!

Adults please note! Paints will stain. During creative activities we recommend that children and other users wear overalls and/or old clothes, and that you cover furnishings, carpets and work surfaces. Adult supervision is recommended.



Distributed by Trends UK Ltd,
Harwell Innovation Centre,
173 Curie Avenue,
Harwell Science and Innovation Campus,
Didcot, Oxon OX11 0QG. UK
Email: trends@jgdirect.net
www.trendsuk.co.uk

 **Customer Services:**
+44 (0) 844 800 1049

©Haynes Publishing 2009.

All rights reserved, www.haynes.co.uk

©2009 AIRFIX.

All rights reserved, www.airfix.com

AIRFIX is a registered trademark of Hornby Hobbies Ltd.

Colours, designs and decorations may vary from those shown in the illustrations

Product Ref HM06

Printed in India

