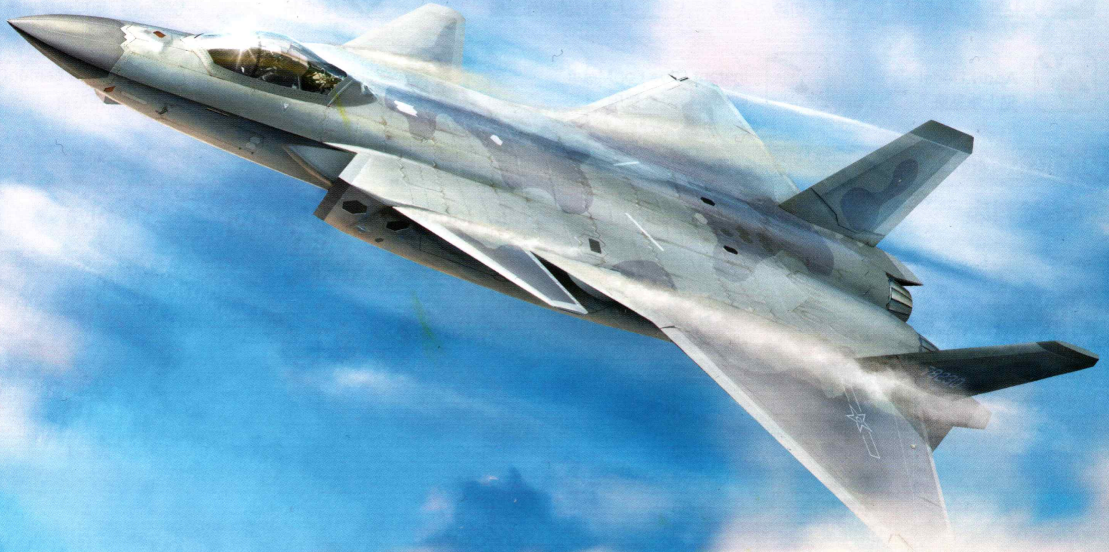


PLA Air Force J-20 "Mighty Dragon" stealth fighter

中国空军歼-20隐形战斗机

1/72 SCALE



In 2017 the Chinese J-20 became the third "Stealth Fighter" to enter service, after the American F-22 (2005) and F-35 (2015). Currently 20 aircraft of the first production batch are undergoing combat training and evaluation with the Peoples Liberation Army Air Force, 9th Air Brigade at the Wuhu Air Base at Anhui. The PLAAF claim that the aircraft is an air superiority fighter with precision strike capability, however it is a very large aircraft similar in size to the Russian Su-24M bomber, The J-20 or Mighty Dragon, is manufactured by the Chengdu Aerospace Corporation and made its first flight in January 2011. Little information has been released on the aircraft's capabilities, but it is estimated that the speed will be around Mach 2 or 2,230 kp/h, and a range of 6,000 Kilometers with the current WS-10B engines of 33,000 lbs thrust with reheat. The J-20 has 6 x internal weapons bays for both long and short range AAM's, while other weapons and fuel tank can be carried on 4 x external hardpoints on the wings. Its possible use is as a long range missile launching platform using its stealth capability to avoid enemy defenses. The J-20 is scheduled to have up-rated Shenyang WS-15 engines of greater thrust of up to 40,000 lbs with reheat in the near future. The empty weight of the aircraft is given as 19 tons and maximum loaded weight of 37 tons. Weapons will include PL-10 short range AAM, PL-12 medium range AAM and PL-15 or PL-21 long range AAM's, it is expected to carry two of each type internally. It can also carry the LS-6 precision guided bomb for ground attack. So far 8 prototypes and 20 production aircraft are flying. In August 2019 the PLAAF announced that the J-20 would become China's primary fighter, beating the rival FC-31. However its large size may prove difficult for operations on the new Shandong Class Aircraft Carrier, one of its intended roles.

中文

2017年，中国的J-20成为继美国F-22（2005年）和F-35（2015年）之后的第三架“隐形战斗机”。目前共有20架第一生产批次型飞机，在中国人民解放军空军第9航空旅位于安徽芜湖空军基地进行试训作战评估。中国人民解放军称这架飞机是具有精确打击能力的空中优势战斗机，但是它是一架大型飞机，大小与俄罗斯Su-24M轰炸机相似，机长20.3米。J-20或“威龙”由中国成都飞机工业(集团)有限责任公司制造，于2011年1月首飞。有关飞机性能的信息已经公布，但据估计速度将约为2马赫或2,230 kp/h，基于当前WS-10B发动机的后燃推力达33,000磅，最大航程可达6,000千米。J-20的大型腹部武器舱可携带6个用于中/远程的AAM，其他武器和油箱则可以挂在机翼下方的4个硬点。它可用作远程导弹发射平台，使用它的隐身能力可以避免敌人的防御。在不久的将来，J-20计划升级为WS-15“峨眉”涡扇发动机，最大后燃推力可达40,000磅。全机空重19吨，最大起飞重量为37吨。武器主要包括PL-10短程AAM，PL-12中程AAM和PL-15或PL-21远程AAM，预计将在内部武器舱携带每种两枚。它也可以携带LS-6精确制导炸弹，用于对地攻击。到目前为止，有8架原型机和20架生产型飞机服役。2019年8月，中国人民解放军空军宣布J-20击败竞争对手FC-31成为中国的主要战斗机。但是，这种大型飞机可能难以按预期的角色之一，在新的山东号航空母舰上操作。

CORRECT METHOD FOR APPLYING DECALS :

正确使用水贴纸的方法：

1. Clean model parts surface with wet cloth. 将需要贴水贴之部位表面擦干净。
2. Cut out the decal parts and dip them in cold water for 15 -20 seconds. 将所需之贴纸剪下泡在清水里约15至20秒。
3. Place it on correct position of the model kit. 将湿透之贴纸取出置放于正确之位置旁。
4. Slide off the decal from the base paper on to the model kit surface with a cotton stick. 用棉花棒轻推贴纸表面使其从底纸滑出至模型表面之正确位置。
5. When decal get dry then complete. 待其自然干透后即完成。

ICON INSTRUCTION: 图标说明：



Open Hole
钻孔



Remove
切除



x2
Make 2 pics
同样的制作二组



Bend
曲折



Optional
可以选择采用



Apply Decal
贴水水贴纸



Instant Glue For Metal
瞬间接着剂,金属用



Fill Hole
把孔填满



Do not cement
不用粘合

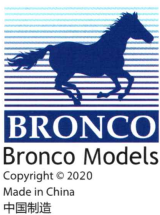
COLOR SUGGESTION: 涂装指引：

Color 涂料表	Hobby Color	MR.Hobby	Humbrol	Tamiya
Red 红色	H-3	C-3	19	X-7
Silver 银色	H-8	C-8	/	X-11
Tyre black 轮胎黑	H-77	C-137	85	/
Clear Rreen 透明绿	H-94	C-138	/	X-25
Clear Red 透明红	H-90	C-47	/	X-27
Clear Blue 透明蓝	H-93	C-50	/	X-23
Burnt Iron 烧铁色	H-76	C-61	/	/
Flat Black 哑光黑	H-12	C-33	33	XF-1
Khaki Green 卡其绿	H-80	C-54	30	XF-58
Neutral Gray 中性灰色	H-53	C-13	/	/
Dark Sea Gray 深海灰	H-331	C-331	/	/
Barley Gray 麦灰色	H-57	C-73	/	/
Flat White 消光白色	H-11	C-62	34	XF-2

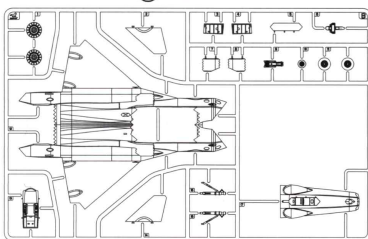
READ BEFORE ASSEMBLING: 组装必读：

- Carefully Study instruction before assembling. 组装前请阅读清楚制作指引。
- Keep plastic model glue and tools away from children. 胶水,油漆及工具勿让小孩接触。
- Do not use cement or paint near open flame or sparks. 胶水及油漆勿接触火种。
- Do not work in closed room. 勿在密封地方制作模型。

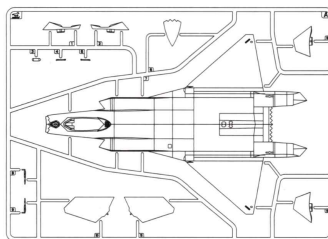
PARTS LIST 零件指示表：



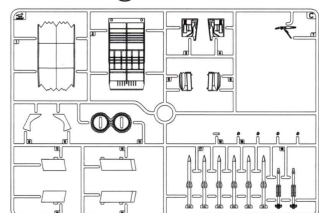
ⓑ × 1



Ⓐ × 1



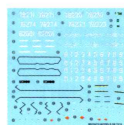
ⓒ × 1



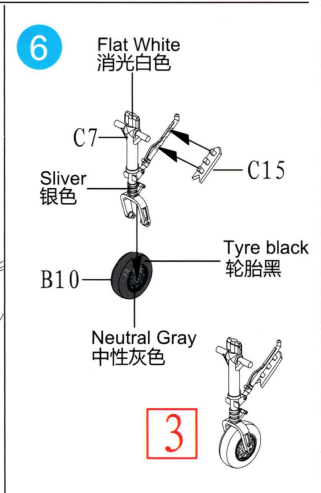
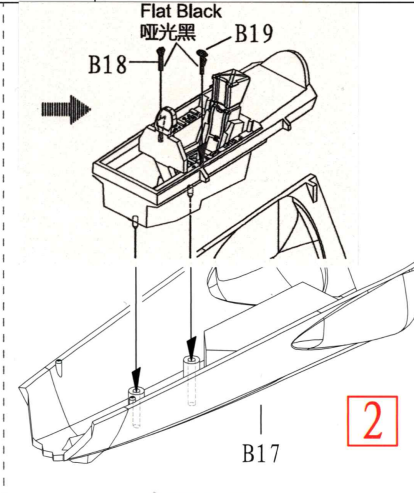
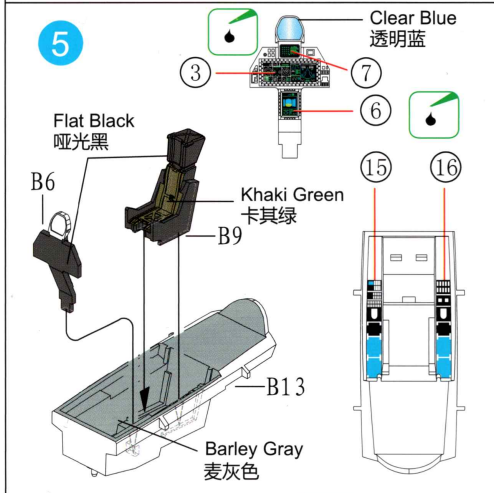
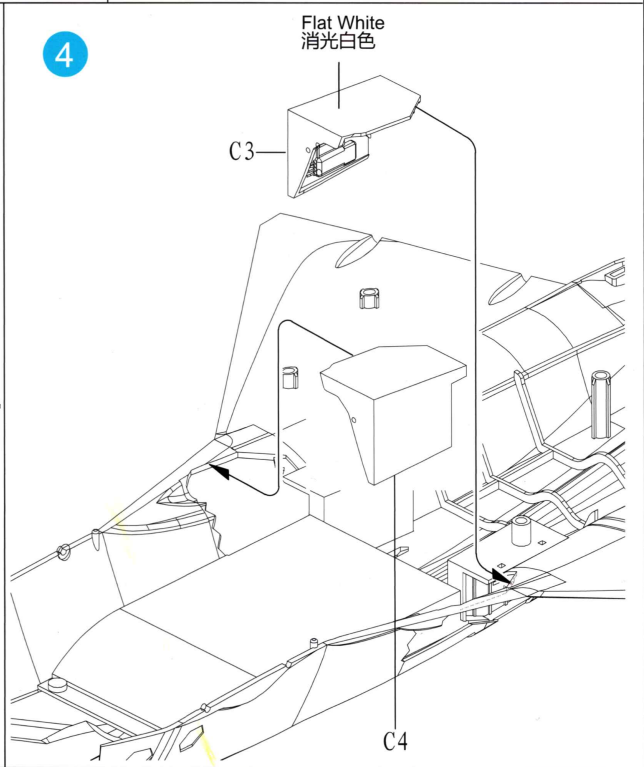
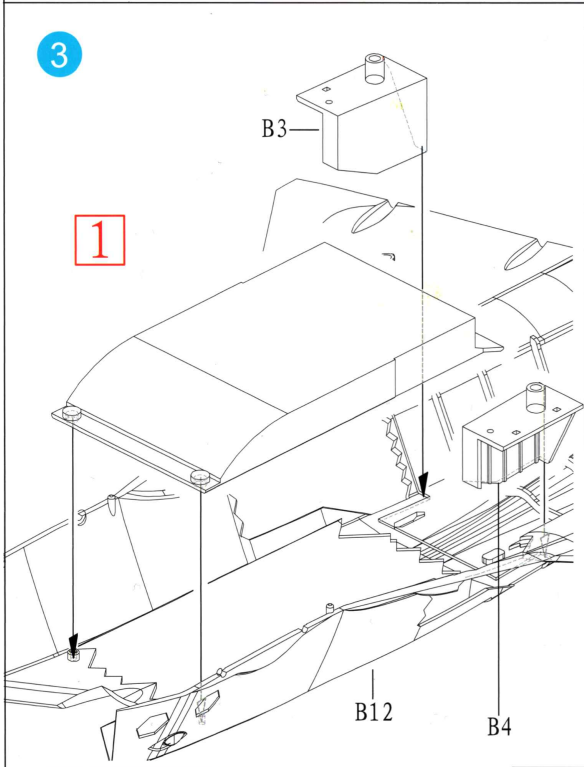
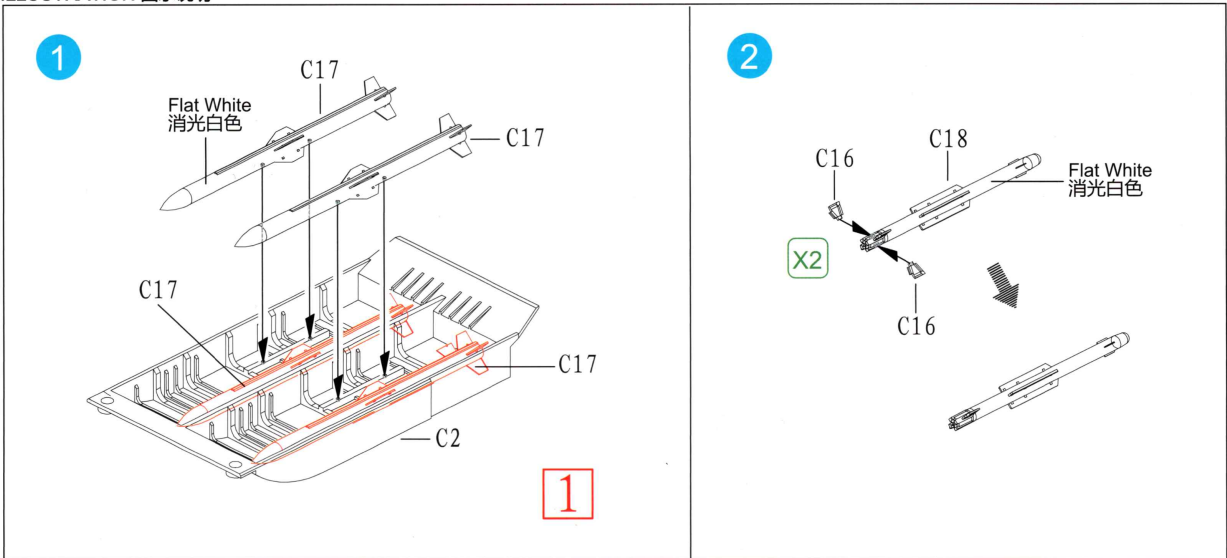
ⓖⓅ × 1



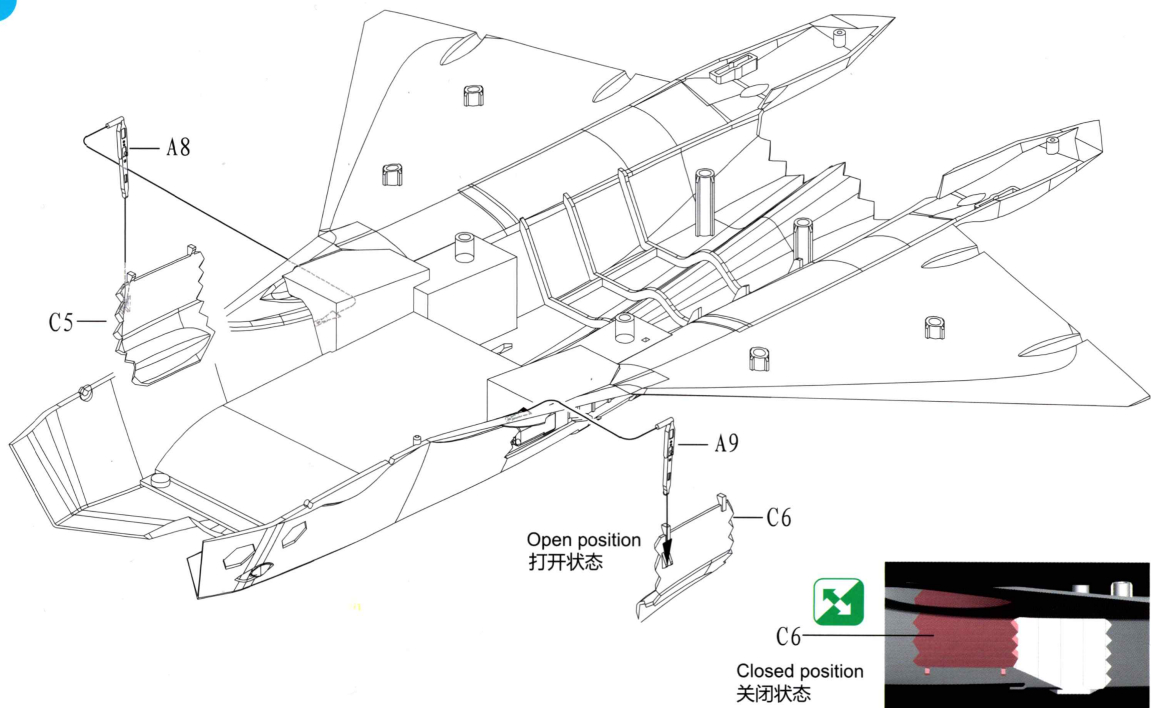
DECAL X1



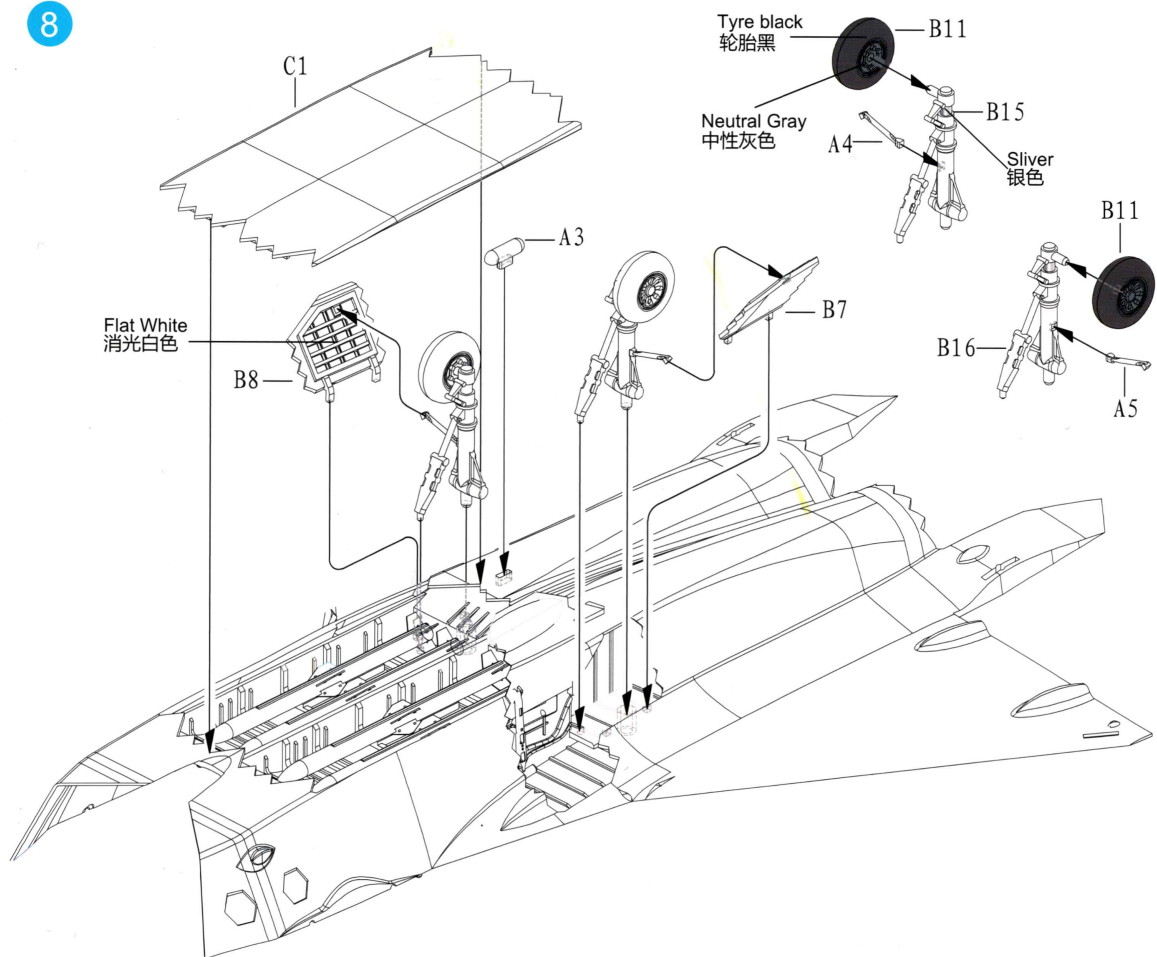
GB7010



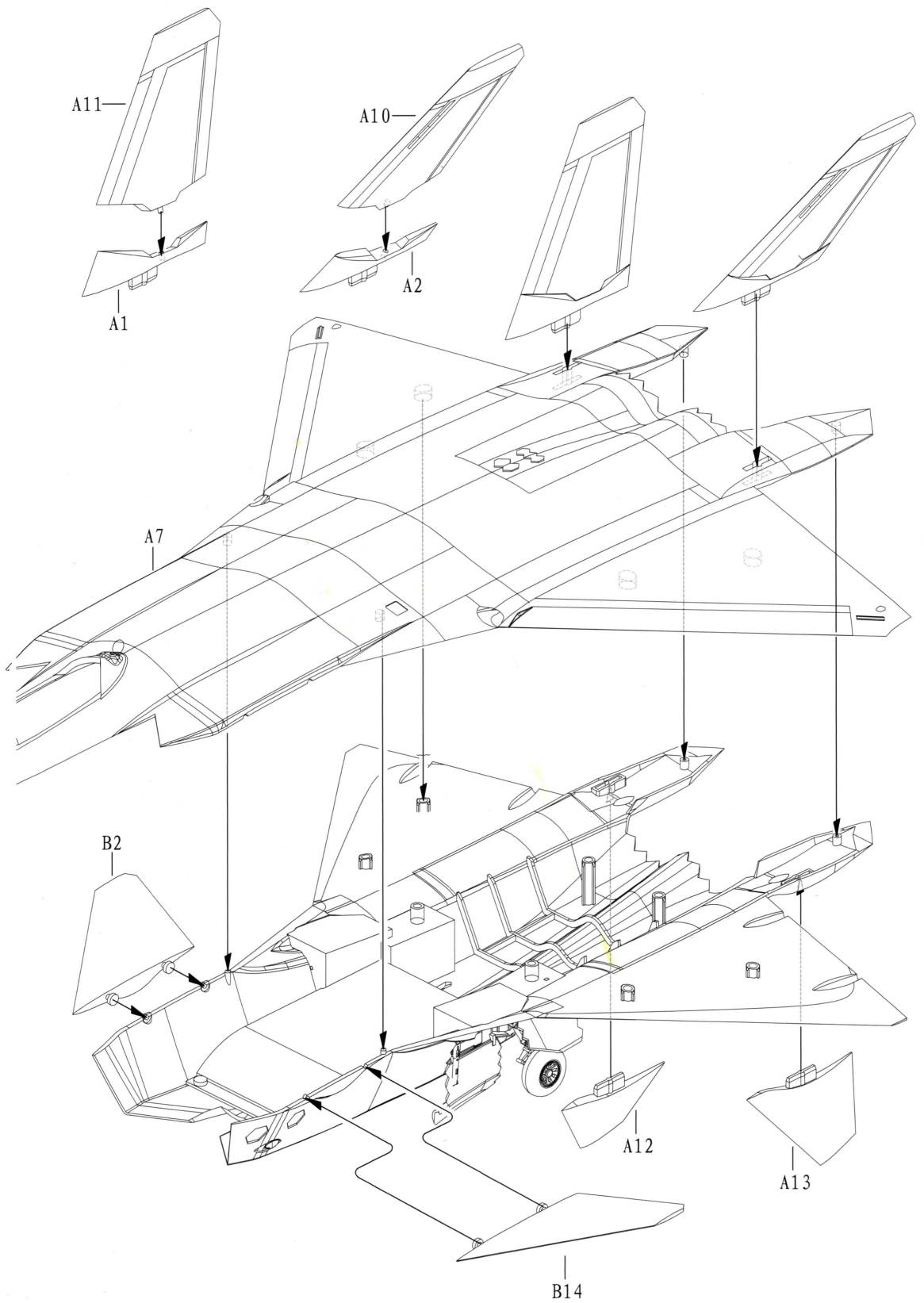
7



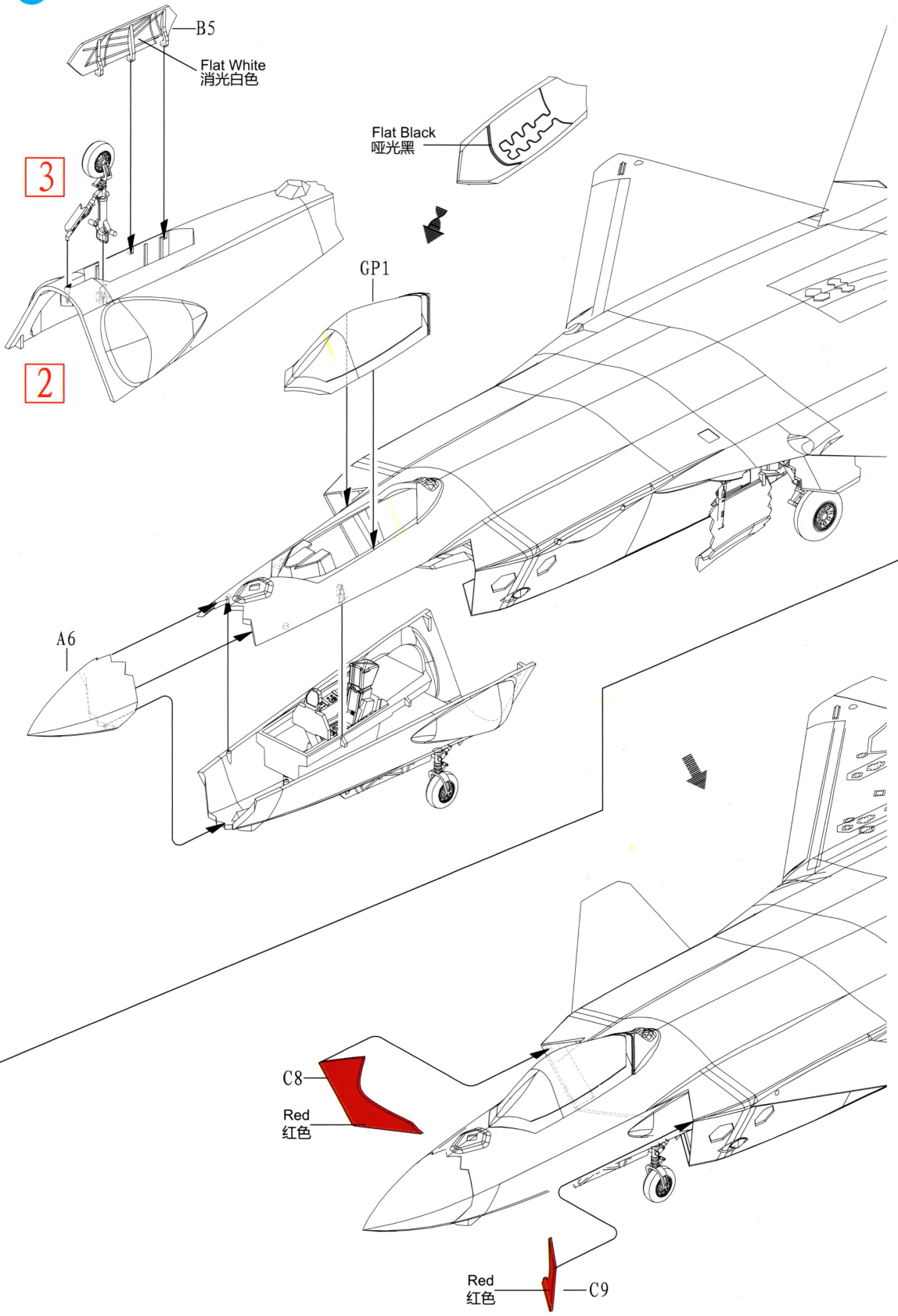
8



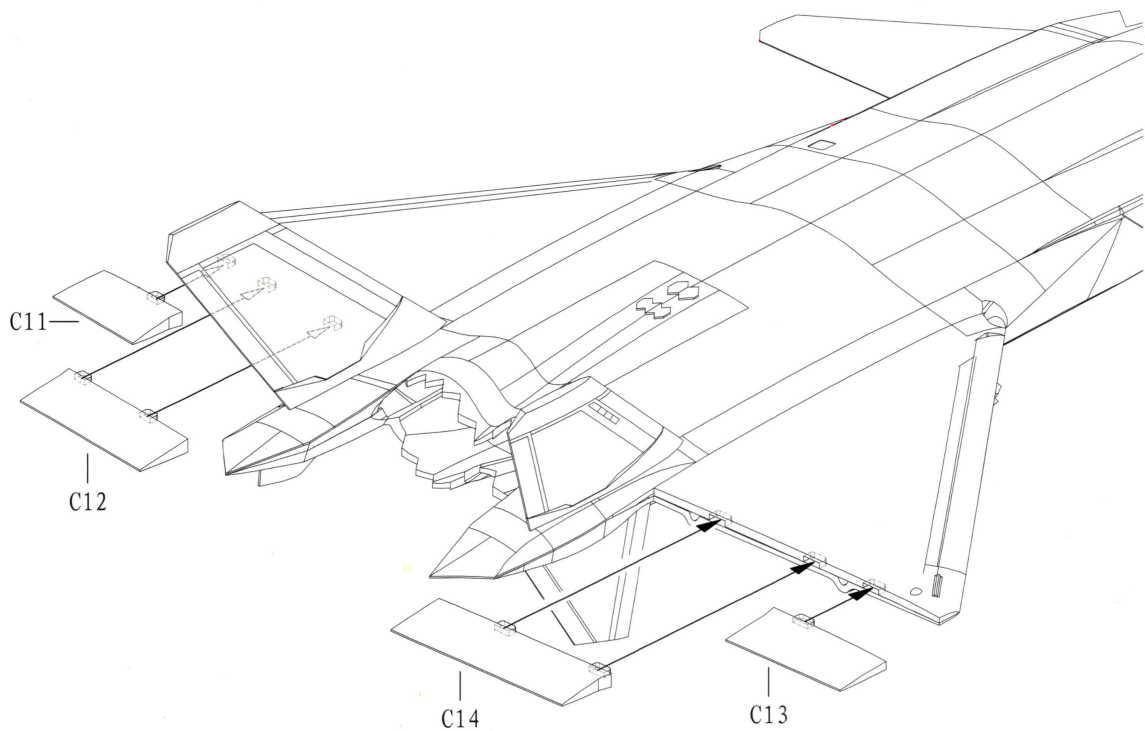
9



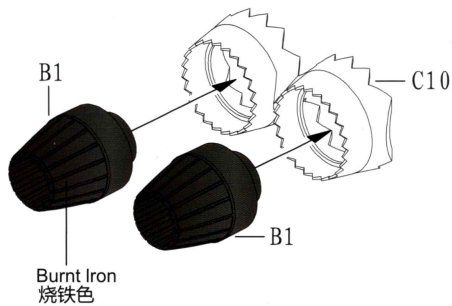
10



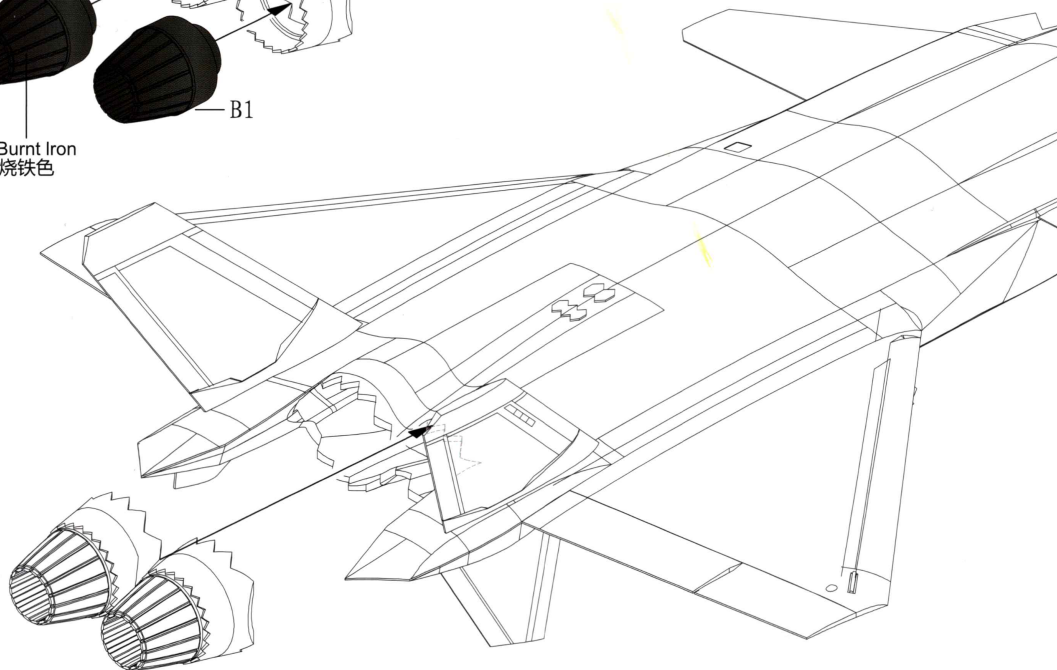
11



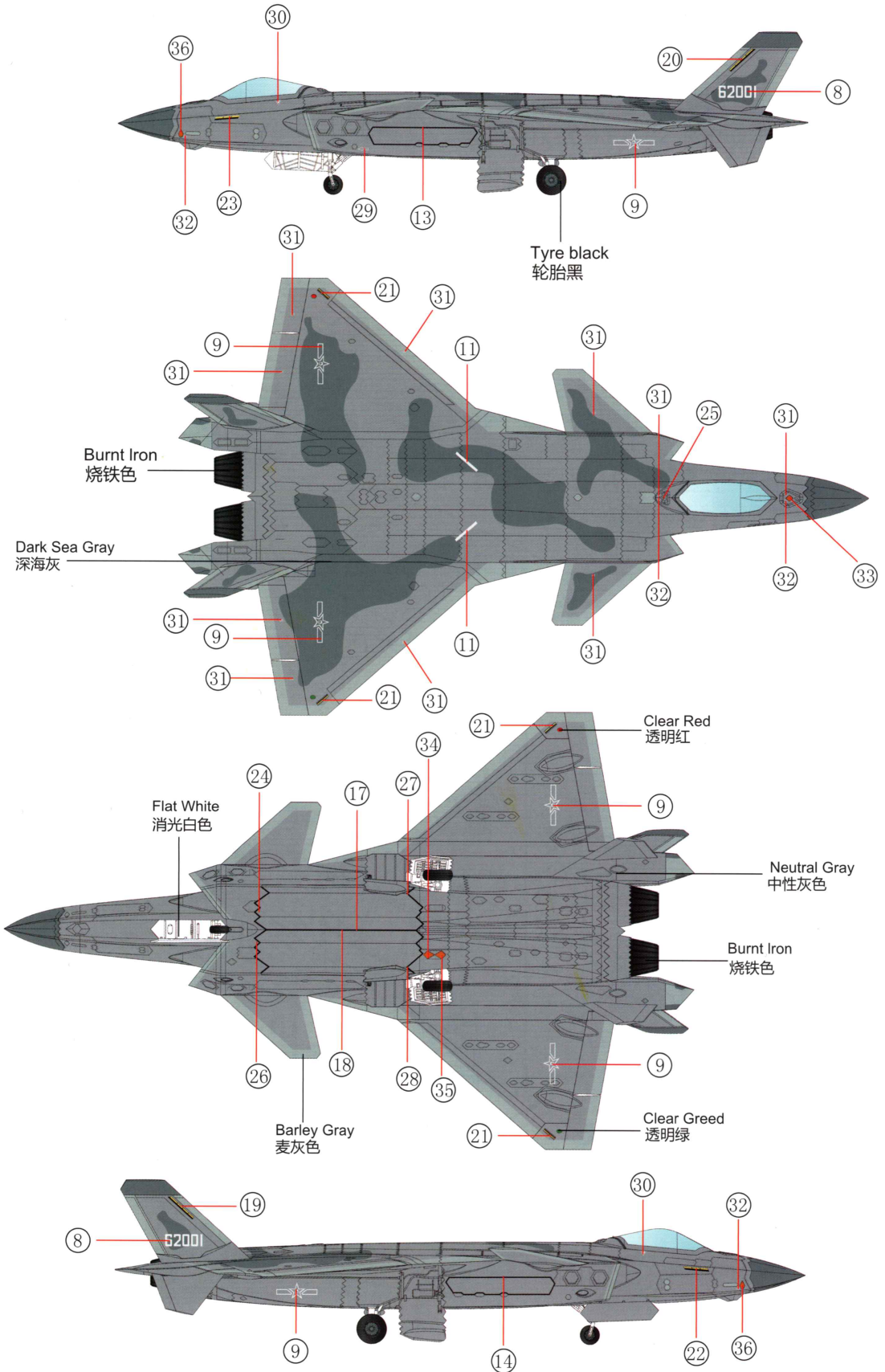
12



Burnt Iron
烧铁色

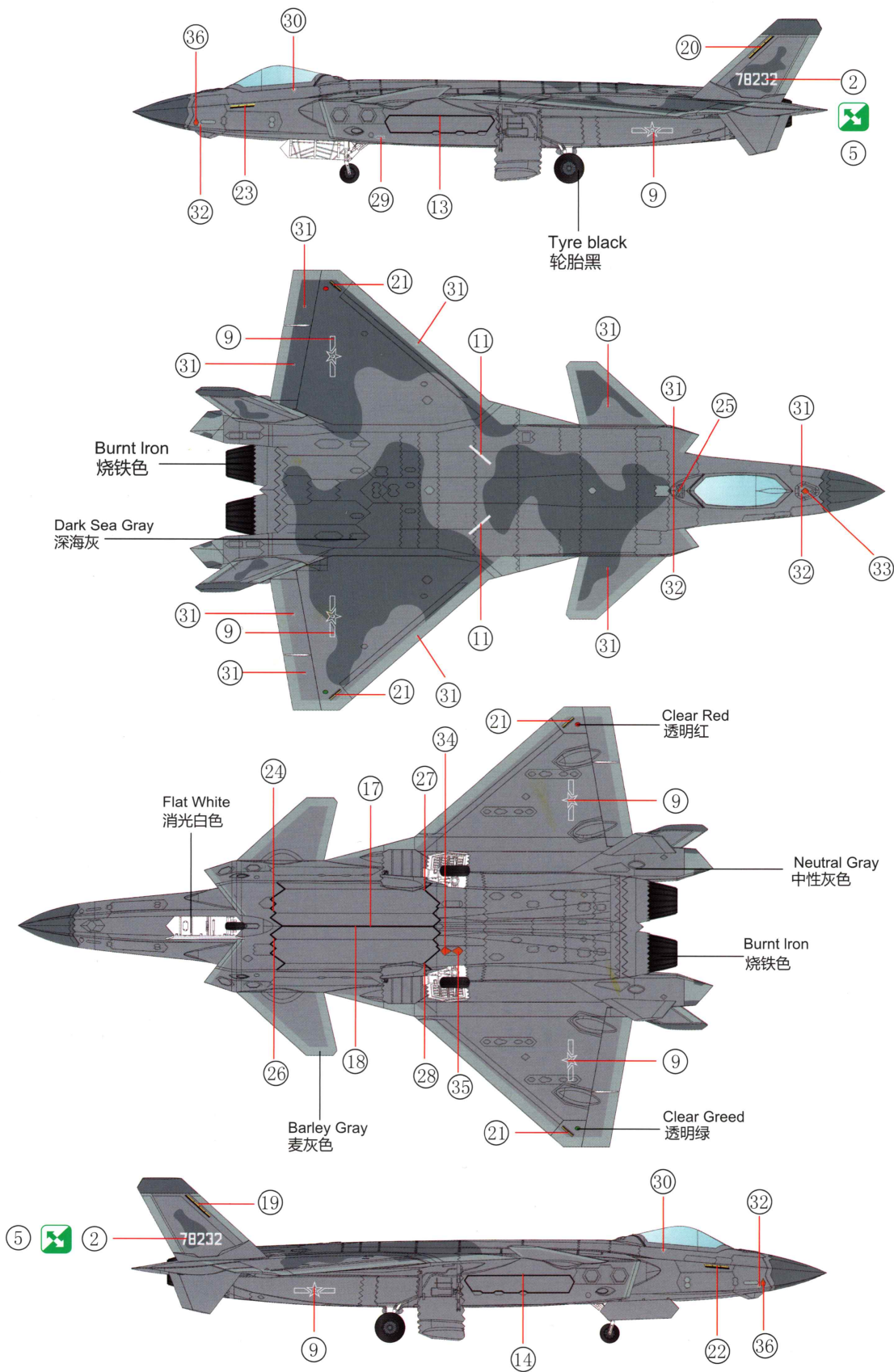


Option1:PLAAF 9th Air Brigade based at Wuhu .
 芜湖空军第9航空旅。



Option2:PLAAF 172nd Air Brigade at Cangzhou Flight Training Base.

空军第172航空旅沧州飞行训练基地。



Option3:PLAAF 176th Air Brigade at DingXin Test & Training Base.
空军第176航空旅鼎新飞行试验与训练基地。

