

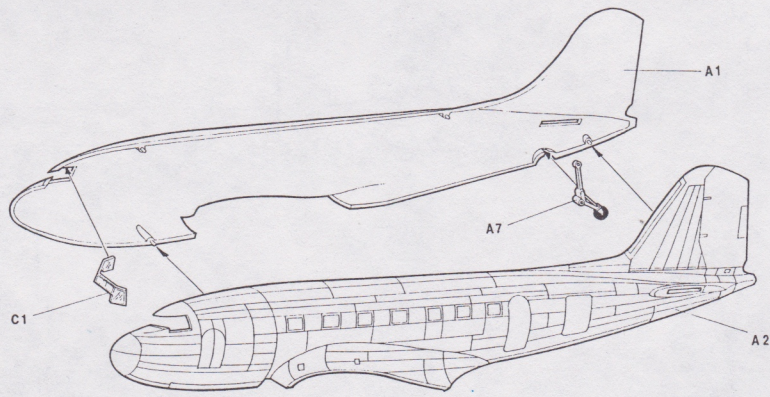
DOUGLAS DC-3

How do you describe a true legend? Perhaps Donald Douglas described it best when in 1965 he said: "The Three is certainly the best and best-loved airplane we've ever produced, but the circumstances that made it great just happened. They were not of our making. I doubt that any airplane will have the same impact, or the same opportunity again." At the same retirement ceremony for North Central's N21728, General James H. "Jimmy" Doolittle said: "The DC-3 without question is the most versatile, fixed-wing aircraft ever built. I know of no other machine that has saved so many human lives."

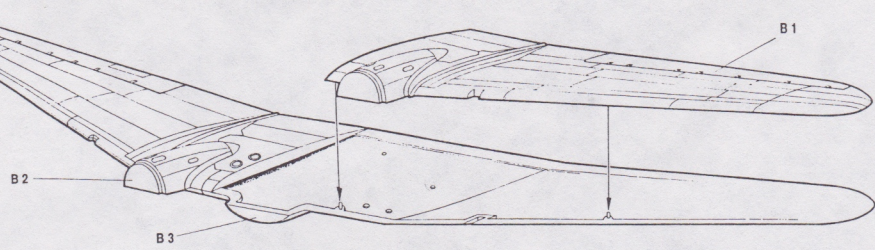
In the sixty+ years since the first flight of the DC-3 in December 1935, over 13,000 DC-3, C-47, Li-2 or L-2D aircraft were manufactured. A substantial number are still flying today!

In 1932, TWA circulated specifications for a tri-motor, 12 passenger transport to compete against the Boeing Model 247. The winner of the competition was the Douglas DC-1 which had the greatest capacity, speed and range of any of the competitors. Development from testing led to the DC-2, which because of its power and sleek lines made it the instant favorite of every airline looking to be competitive. American Airlines liked the DC-2 but wanted to be able to provide sleeper service to replace the Curtiss Condors then in service. The answer was the DC-3 (a stretched DC-2) which could accommodate 14 sleeper passengers or 21 seats. With upgraded power plants producing 1,000 horsepower each, later to become 1,250 horsepower Twin Wasps, the do-everything transport commenced its illustrious history. There is hardly an air force or air line anywhere in the world that has not employed the DC-3 or some other variant in its service at one time or another!

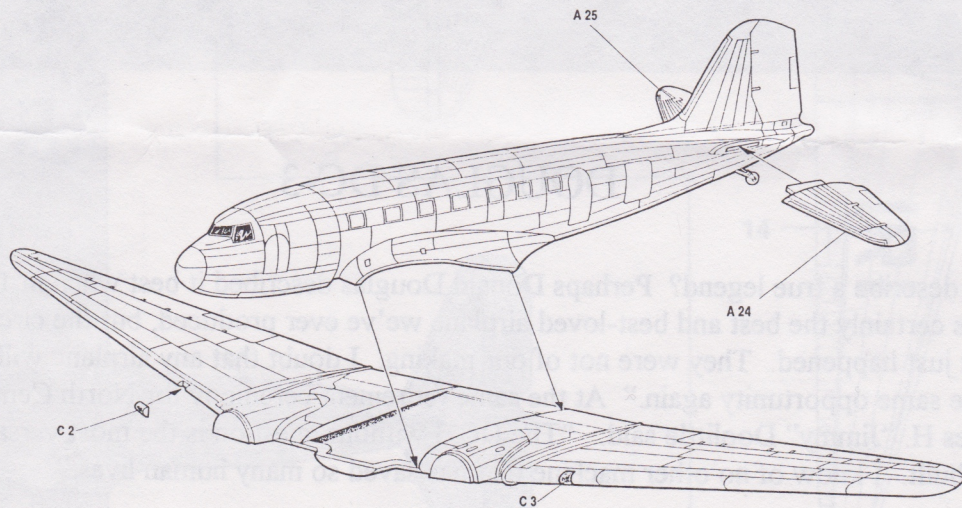
1 Fuselage Assembly



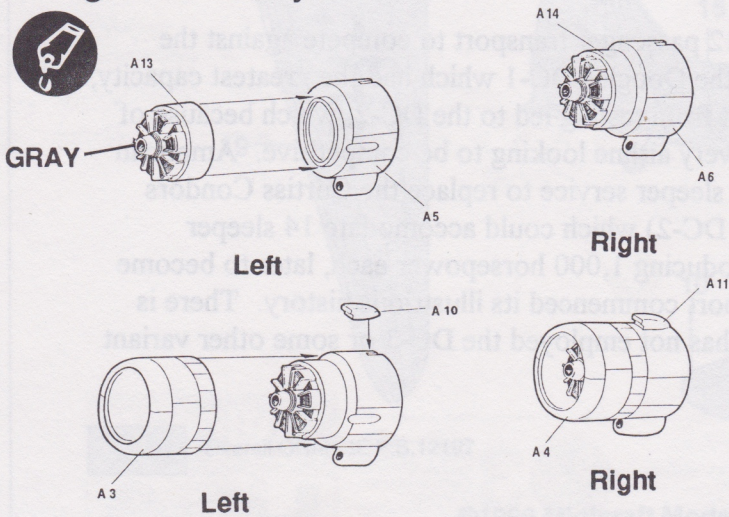
2 Wing Assembly



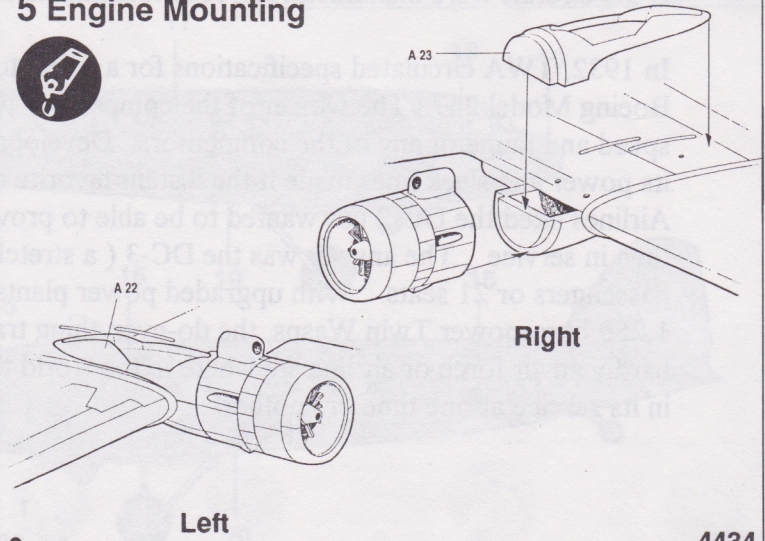
3 Main Assembly



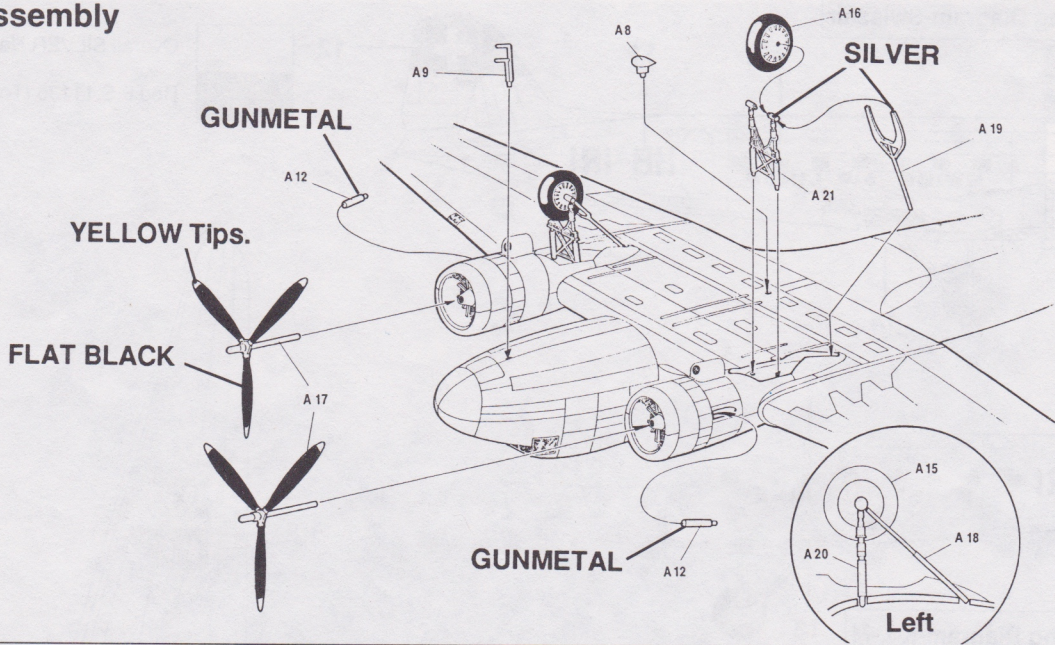
4 Engine Assembly



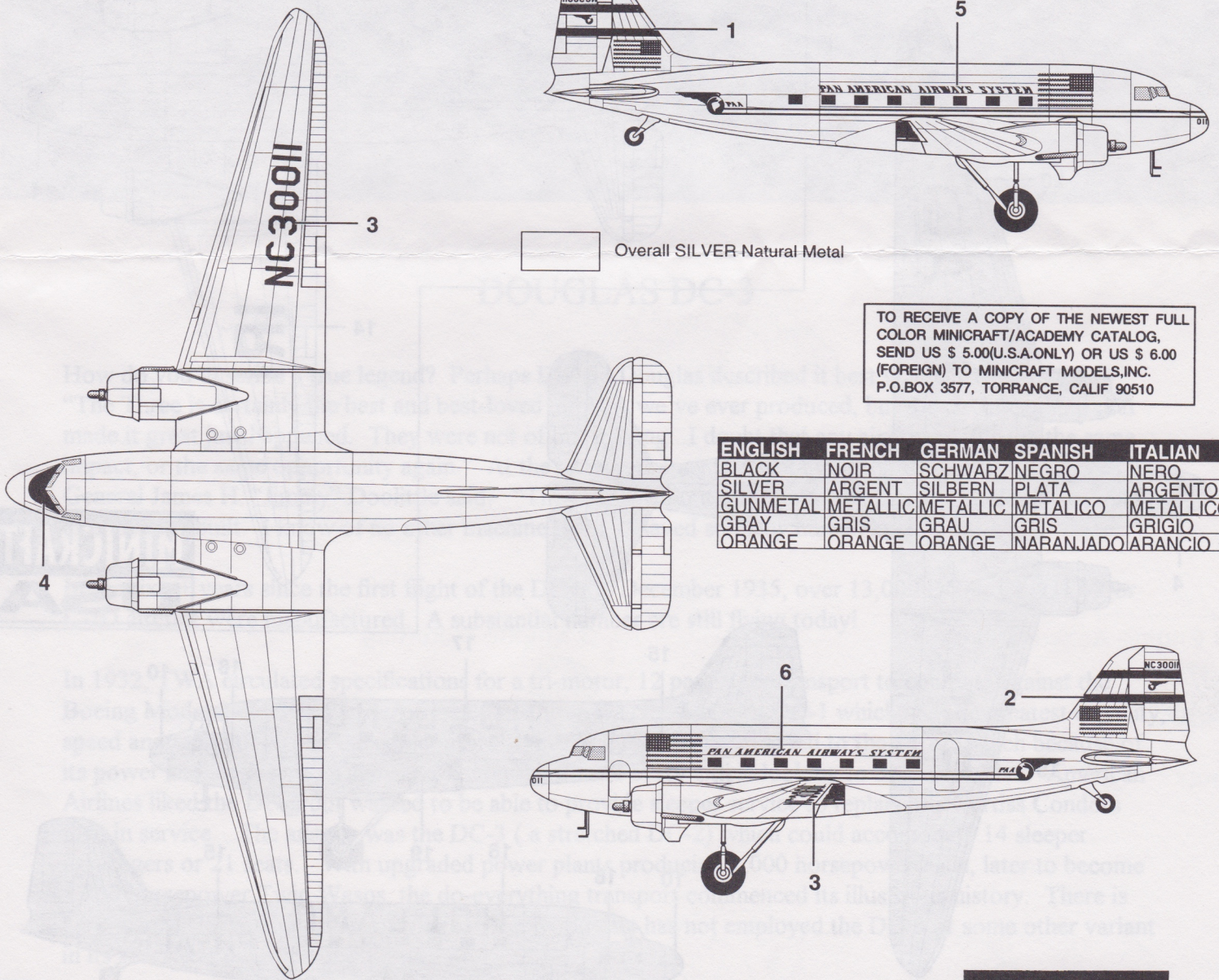
5 Engine Mounting



6 Final Assembly



Decal Placement and Painting Diagram-Pan American



TO RECEIVE A COPY OF THE NEWEST FULL COLOR MINICRAFT/ACADEMY CATALOG, SEND US \$ 5.00(U.S.A.ONLY) OR US \$ 6.00 (FOREIGN) TO MINICRAFT MODELS,INC. P.O.BOX 3577, TORRANCE, CALIF 90510

ENGLISH	FRENCH	GERMAN	SPANISH	ITALIAN
BLACK	NOIR	SCHWARZ	NEGRO	NERO
SILVER	ARGENT	SILBERN	PLATA	ARGENTO
GUNMETAL	METALLIC	METALLIC	METALICO	METALLICO
GRAY	GRIS	GRAU	GRIS	GRIGIO
ORANGE	ORANGE	ORANGE	NARANJADO	ARANCIO



Cement Parts
Coller
Kleben
Pegar
Incollare
Colar
Kleben



Do Not Cement Parts
Ne Pas Coller
Nicht Kleben
No Pegar
Non Incollare
Nao Colar
Niet Kleven



Cut Away
Couper
Scheiden
Cortar
Tagliare
Cortar
Snijden



Optional Parts
Choix
Auswahlmöglichkeit
Eleccion
Scelta
Opcao
Keuze

3

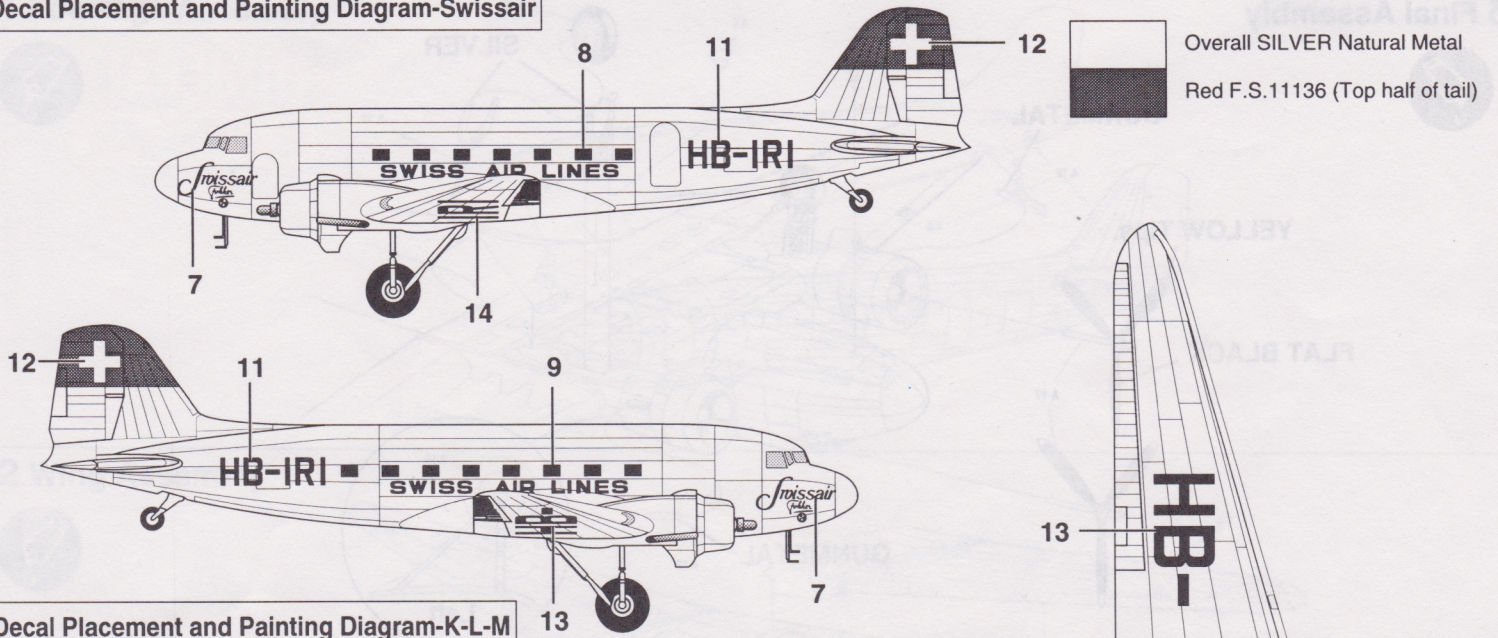


Repeat Operation
Répéter l'opération
Vorgang Wiederholen
Repitir la operacion
Repetero
Repitir a Opração
Herhalen

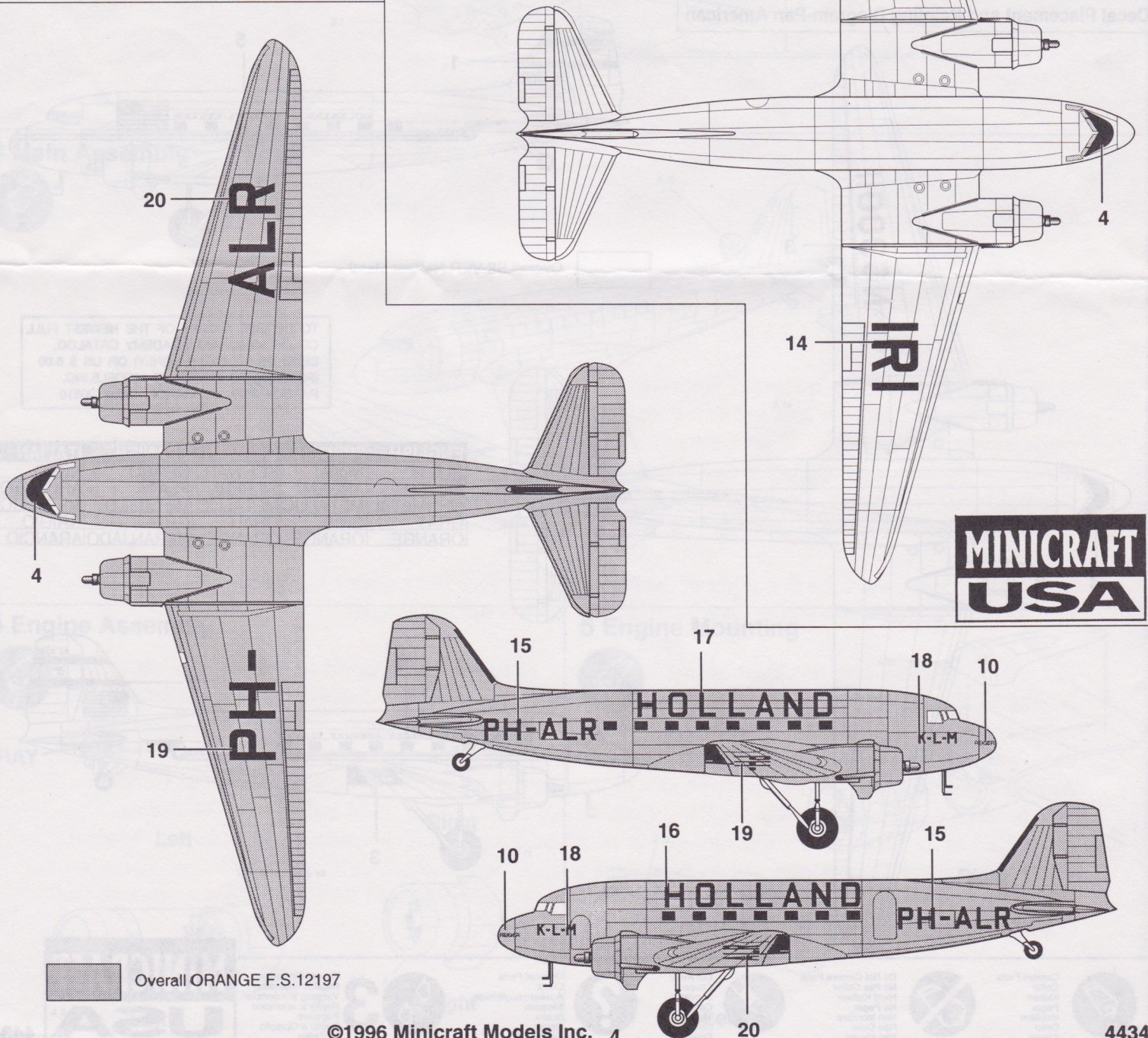


4434

Decal Placement and Painting Diagram-Swissair



Decal Placement and Painting Diagram-K-L-M



**MINICRAFT
USA**