

# Revell SHELBY GT-350 MUSTANG

KIT 7479

REVELL, INC. Des Plaines, IL Copyright © 1987 All rights reserved. Made in U.S.A.

7479-4200

The Shelby GT350 was often referred to as the closest thing to a NASCAR stocker on the streets. The exception to this car over any other car, was that the street GT350s were actually detuned and legalized race cars. Where other production race cars began as street cars and were then modified, the Shelby GT350 began as a race car — the national class champion from 1965 through 1967.

The 1965 Shelby GT350 was designed by Carroll Shelby, the well known race car driver and designer of the famous Cobra. The development first began when Ford executives decided the Mustang lacked the high performance image they felt it should have. They asked Shelby to design a new Mustang model that could compete with Corvettes both on the race track and on the showroom floor.

Shelby agreed and began to work on prototype designs. A minimum of 100 had to be built to qualify as SCCA production-class racers.

Semi-complete Mustangs were built to be modified by the Shelby factory as specified: white fastbacks with black interiors, 271 hp high-performance engines, four speed synchromesh transmis-

sions, and Ford Galaxie rear ends. The Shelby factory equipped the cars with suspension modifications, Koni shock absorbers, aluminum high rise intake manifolds, finned aluminum valve covers and oil pan, special Holley carburetor, large front anti sway bar, and a fiberglass hood with functioning air scoop. Additions to the interior included: competition seat belts, a tachometer and oil pressure gauge on the dash, and a wood trim racing type steering wheel. The spare tire replaced the rear seat for better weight distribution.

The feature that distinguished the racing model was the engine. The street engine was based on Ford's 271 hp high performance 289, but used a hot cam, a large carburetor, and less restrictive exhaust. The racing version had special heads and was rated at 340 hp.

A total of 562 Shelby GT350s were built in 1965, all identical white with blue stripes. Thirty of these were built to racing specifications. As soon as the race cars hit the circuit, repeated victories were reported by the press. Street models sold as fast as they could be built. The automotive press was overwhelmed by the car's sizzling performance and instant response. Shelby and Ford not only built a success, but a legend.

A	BLACK	NEGRO	NOIR
B	RED	ROJO	ROUGE
C	MATT BLACK	NEGRO MATE	NOIR MAT
D	BLUE	AZUL	BIEU
E	SILVER	PLATA	ARGENT
F	GUN METAL	GRIS REVOLVER	METAL D'ARMES
G	WHITE	BLANCO	BLA
H	MATT YELLOW	AMARILLO MATE	JAUNE MAT
I	BROWN	MARRON	MARRON
J	CLEAR ORANGE	ANARANJADO TRANSPARENTE	ORANGE CLAIR
K	CLEAR RED	ROJO TRANSPARENTE	ROUGE CLAIR

**ENGLISH: ASSEMBLY DRAWINGS SHOULD BE REVIEWED BEFORE PROCEEDING WITH CONSTRUCTION.** A NUMBER IDENTIFIES EACH PLASTIC PART FOR YOUR CONVENIENCE. PAINT SMALL PARTS ON RUNNER BEFORE REMOVING. ALLOW PAINT TO DRY THOROUGHLY BEFORE CONTINUING ASSEMBLY OF KIT. SCRAPE CHROME OR PAINT AT AREA TO BE GLUED. WASH PLASTIC IN MILD DETERGENT SOLUTION. RINSE AND LET AIR DRY FOR BETTER PAINT AND DECAL ADHESION.

**FRANCAIS: EXAMINER LES SCHEMAS D'ASSEMBLAGE AVANT DE COMMENCER LA CONSTRUCTION.** UN NUMERO IDENTIFIE CHAQUE PIECE DE PLASTIQUE POUR PLUS DE FACILITE. PEINDRE LES PETITES PEICES SUR LE SUPPORT AVANT DE LES ENLEVER. LAISSER LA PEINTURE SECHER COMPLETEMENT AVANT DE CONTINUER L'ASSEMBLAGE DU KIT. GRATTER LE CHROME OU LA PEINTURE SUR LES SURFACE

A COLLER. LAVER LE PLASTIQUE DANS UNE SOLUTION DE DETERGENT LEGERE. RINCER ET LAISSER SECHER A L'AIR POUR UNE MEILLEURE ADHERENCE DE LA PEINTURE ET DES DECALS.

**ESPAÑOL: DIBUJOS DE ENSAMBLAJE DEBEN SER REPASADOS ANTES DE SEGUIR CON LA CONSTRUCCION.** UN NUMERO IDENTIFICA CADA PARTE DEL PLASTICO PARA SU CONVENIENCIA. PINTE PARTES PEQUENAS DEL KIT ANTES DE QUITARLAS. DEJE SECAR BIEN LA PINTURA ANTES DE SEGUIR EL ENSAMBLAJE. RASPE EL CROMO O LA PINTURA DEL SITIO ANTES DE SER PEGADO. LAVE EL PLASTICO EN UNA SOLUCION SUAVE DETERGENTE. ENJUAGUE. Y DEJE SECAR EN EL AIRE PARA MEJOR ADHESION DE LA PINTURA Y CALCOMANIA.



NO GLUE REQUIRED  
LA COLLE N'EST PAS NECESSAIRE  
NO NECESITA PEGA



DO IT THIS MANY TIMES  
LE FAIRE CE NOMBRE DE FOIS  
HAGALO ESTA CANTIDAD DE VECES



OPTIONAL  
FACULTATIF  
OPCIONAL



APPLY DECALS  
COLLER LES DECALCOMANIES  
APLICAR CALCAS



SHOWN ASSEMBLED  
VU ASSEMBLE  
MOSTRADO ARMAD



CHROME  
LE CHROME  
IL CHROME



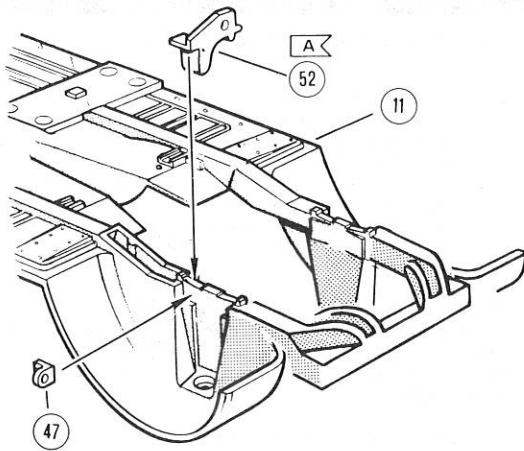
CLEAR  
TRANSPARENT  
TRANSPARENTE



WHITE  
BLANCO  
BLA

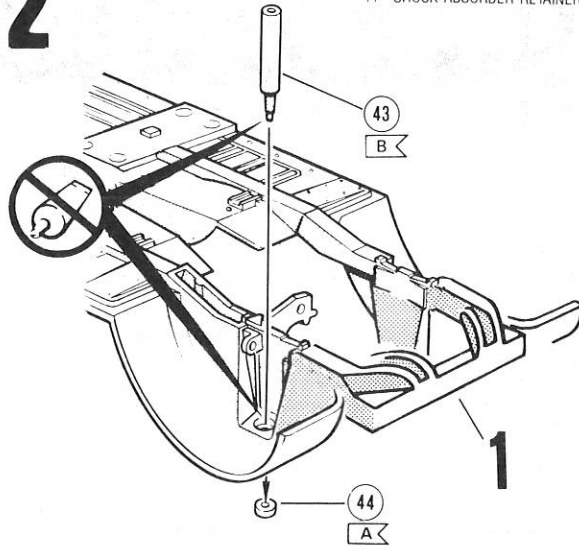
1

- 11 CHASSIS
- 47 LEFT REAR UPPER A-ARM MOUNTING BRACKET
- 52 LEFT REAR LOWER A-ARM MOUNTING BRACKET



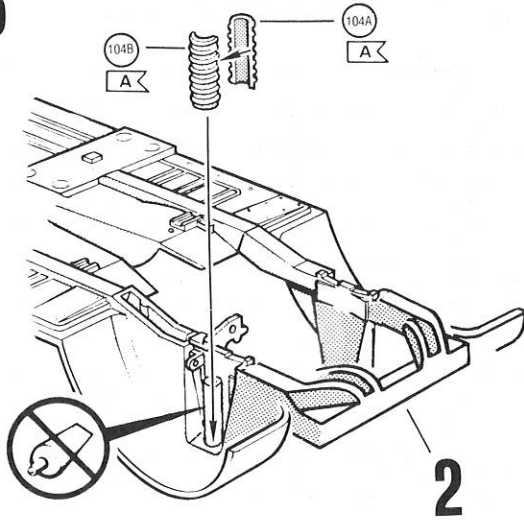
2

- 43 SHOCK ABSORBER TOP
- 44 SHOCK ABSORBER RETAINER



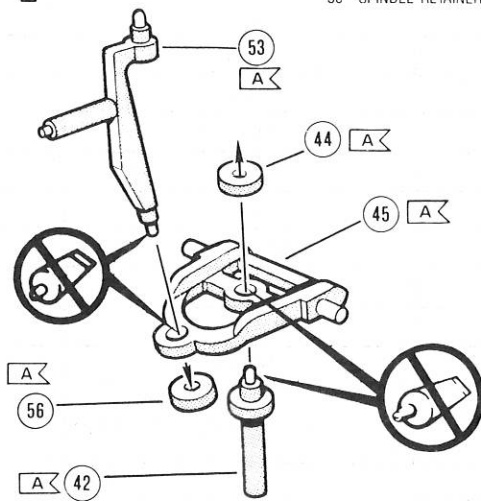
3

- 104A FRONT SHOCK ABSORBER INSIDE HALF
- 104B FRONT SHOCK ABSORBER OUTSIDE HALF



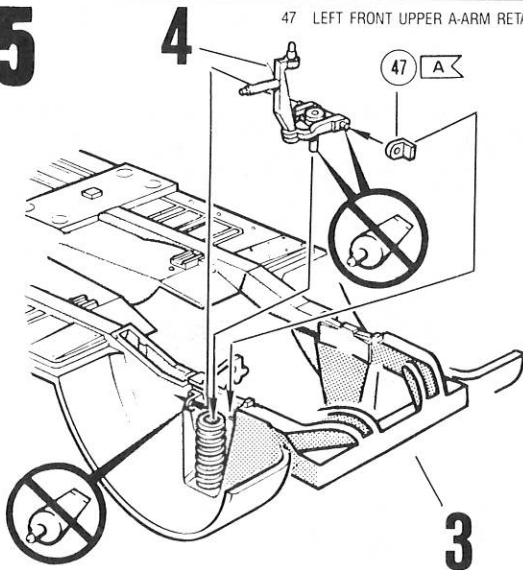
4

- 42 LOWER SHOCK ABSORBER HALF
- 44 SHOCK RETAINER
- 45 LEFT UPPER A-ARM
- 53 LEFT SPINDLE
- 56 SPINDLE RETAINER



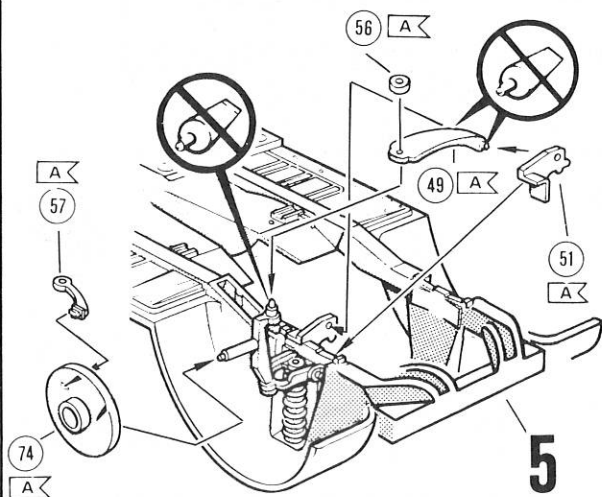
5

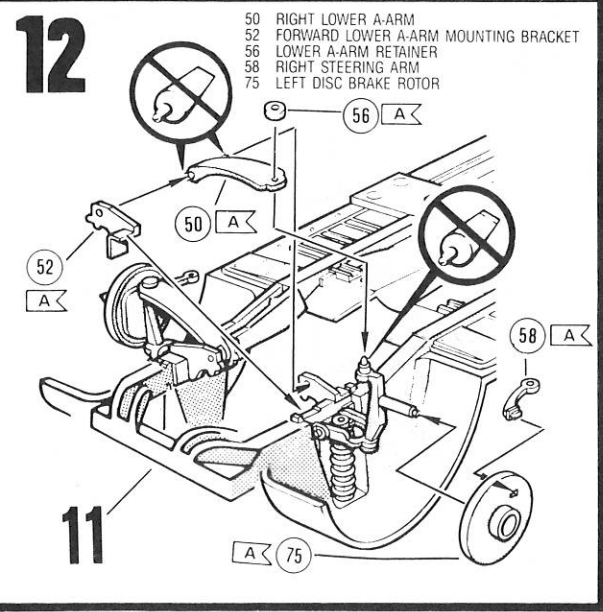
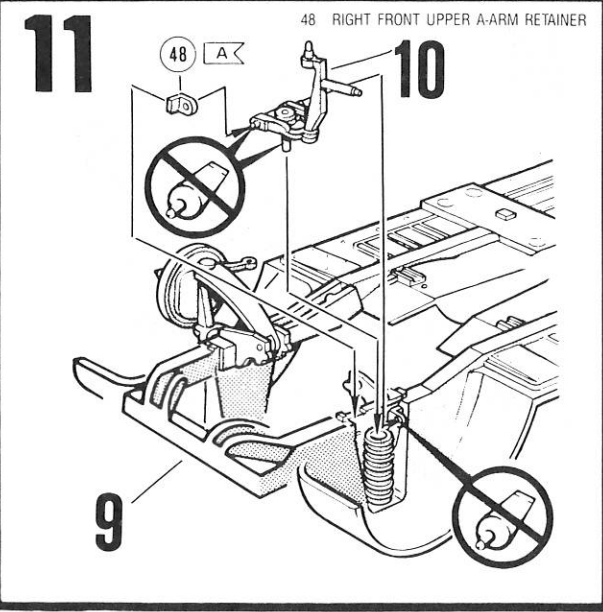
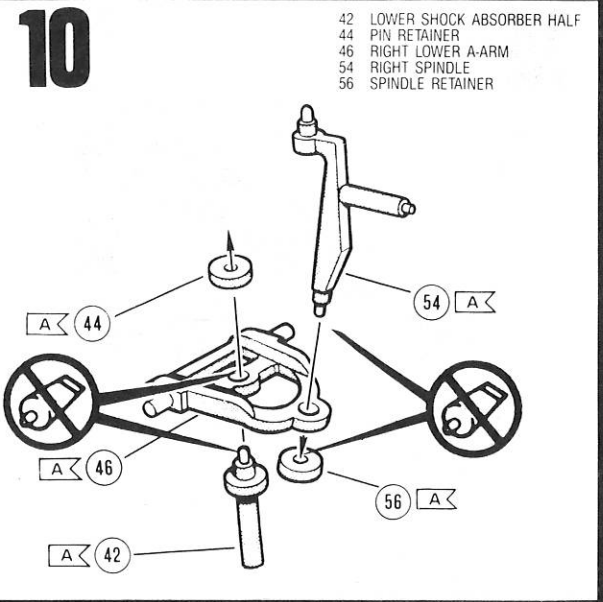
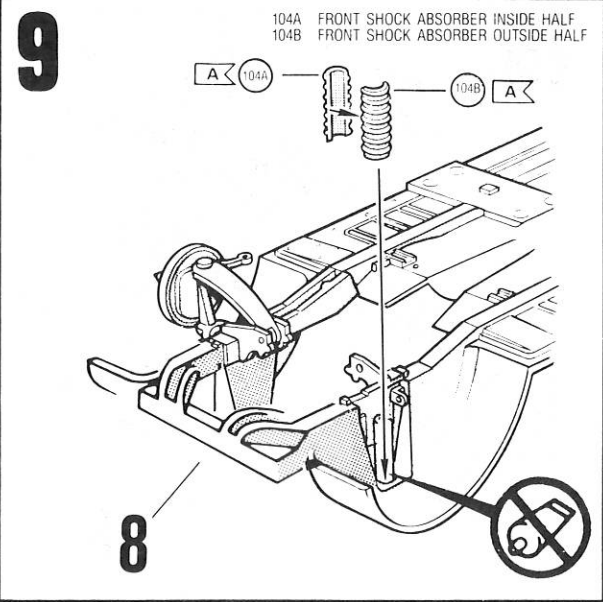
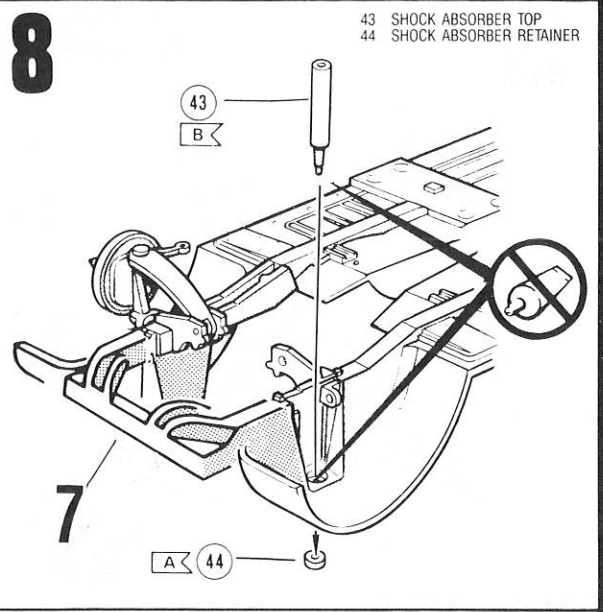
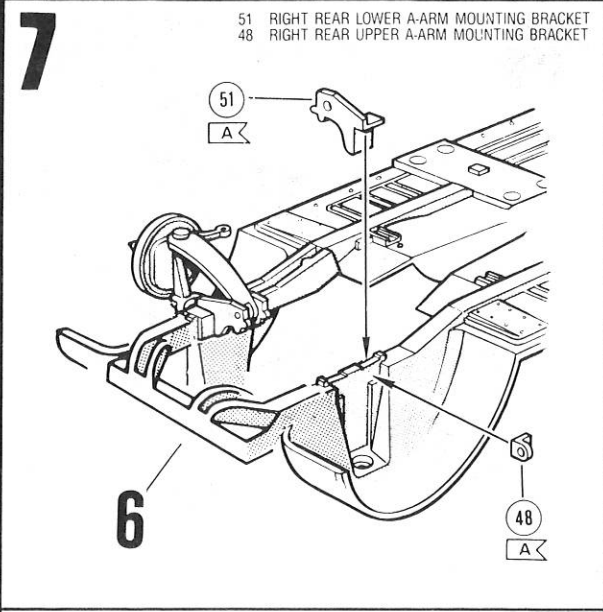
- 47 LEFT FRONT UPPER A-ARM RETAINER



6

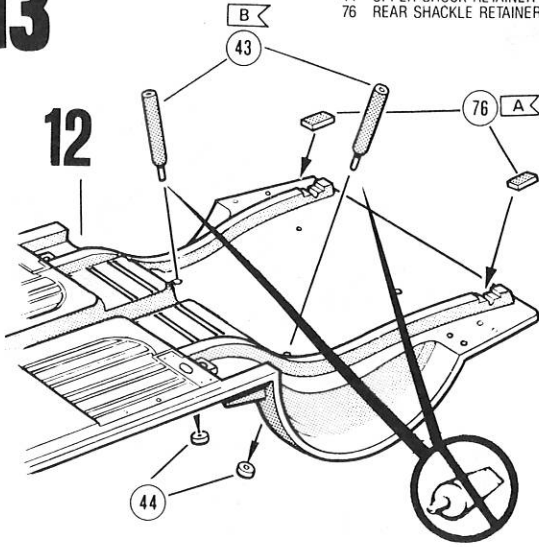
- 49 LEFT LOWER A-ARM
- 51 FORWARD LOWER A-ARM MOUNTING BRACKET
- 56 RETAINER
- 57 LEFT STEERING ARM
- 74 LEFT DISC BRAKE ROTOR





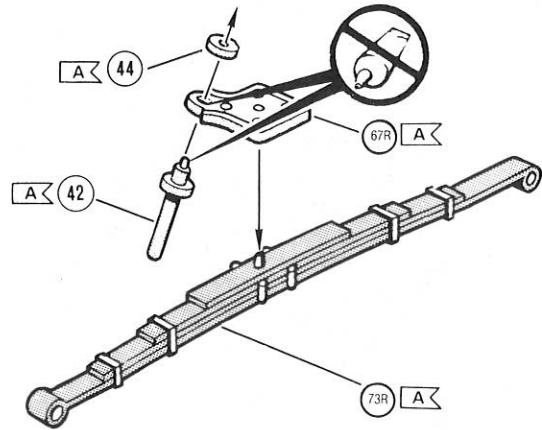
# 13

- 43 UPPER SHOCK HALF
- 44 UPPER SHOCK RETAINER
- 76 REAR SHACKLE RETAINER



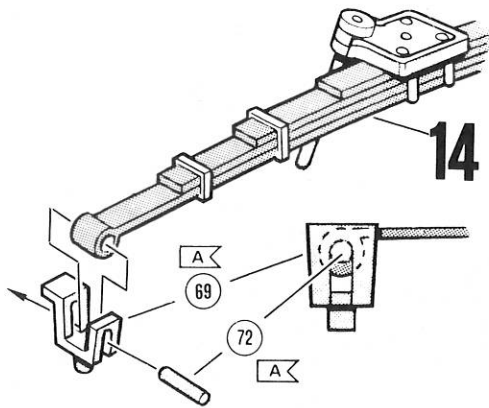
# 14

- 42 LOWER SHOCK ABSORBER HALF
- 44 SHOCK ABSORBER RETAINER
- 67R RIGHT REAR LOWER SHOCK MOUNTING PLATE
- 73R RIGHT REAR LIEF SPRING



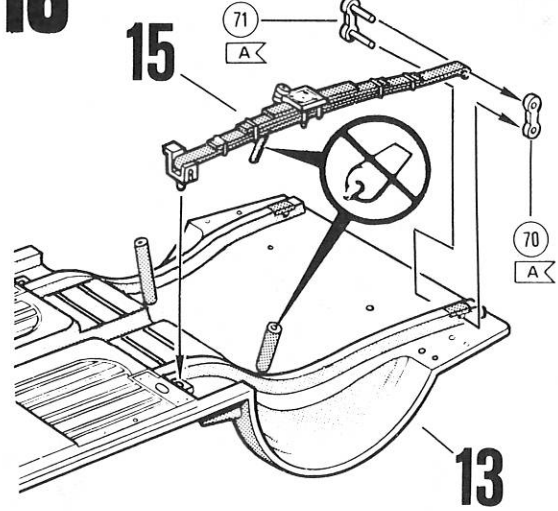
# 15

- 69 FRONT SHACKLE
- 72 SHACKLE PIN



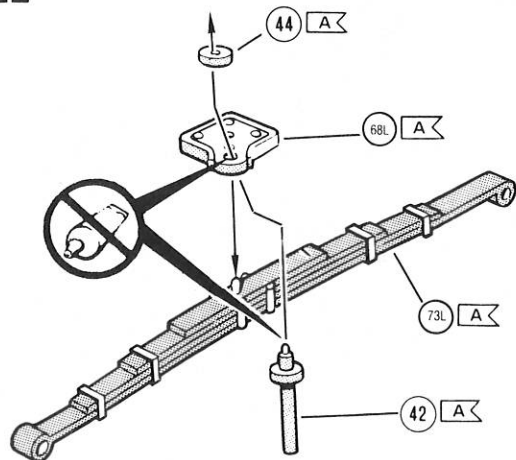
# 16

- 70 REAR SHACKLE HALF
- 71 REAR SHACKLE HALF WITH PINS



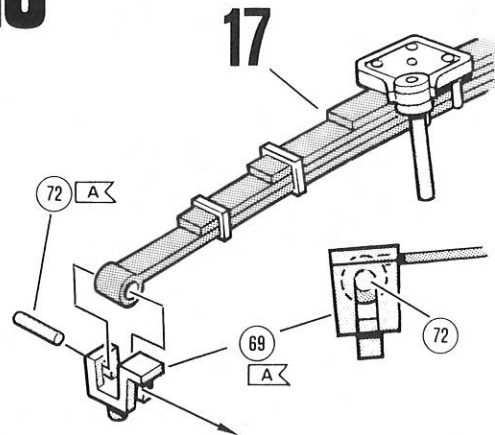
# 17

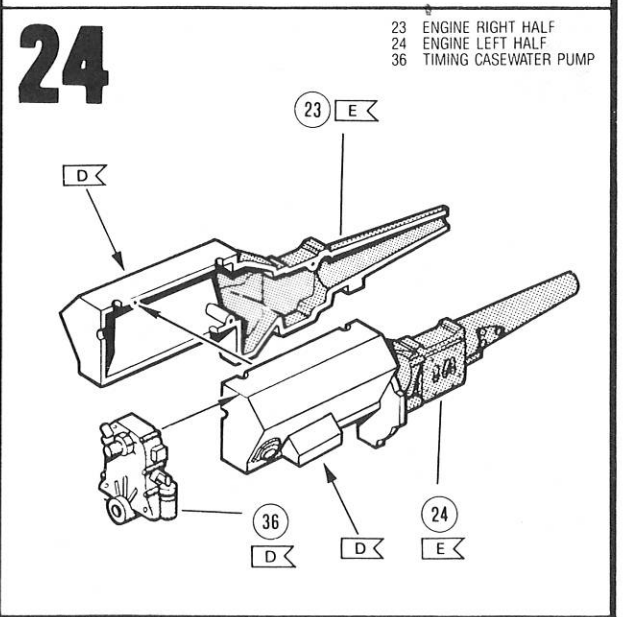
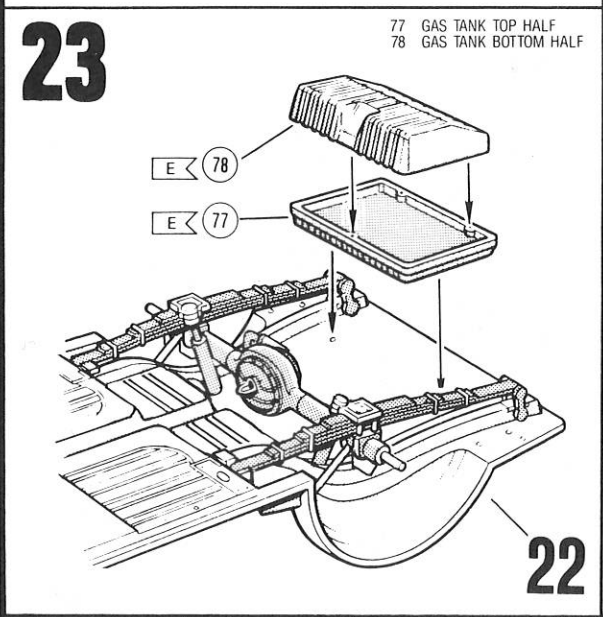
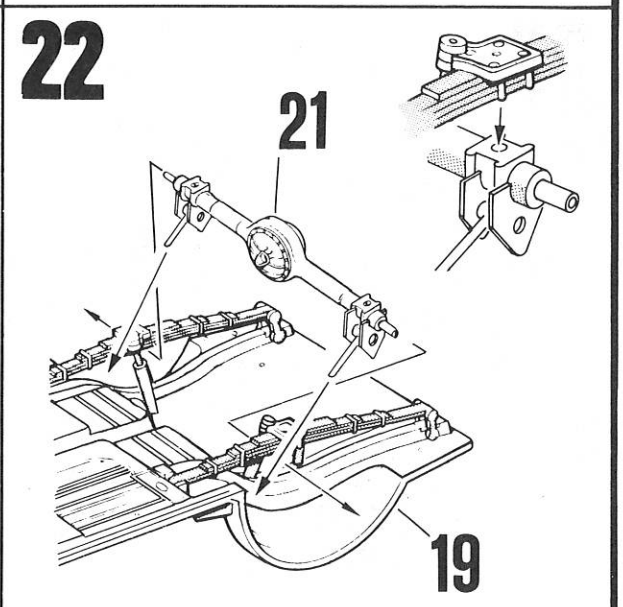
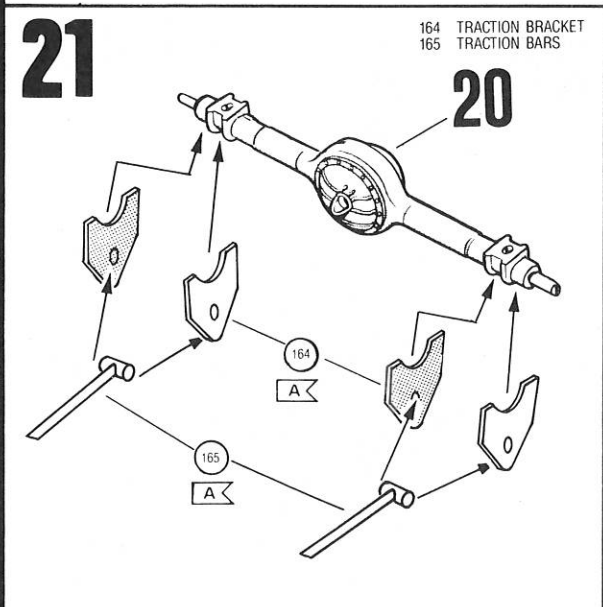
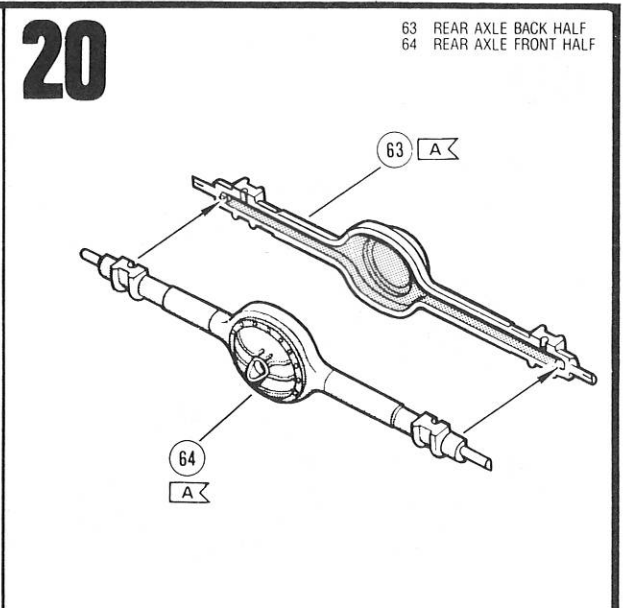
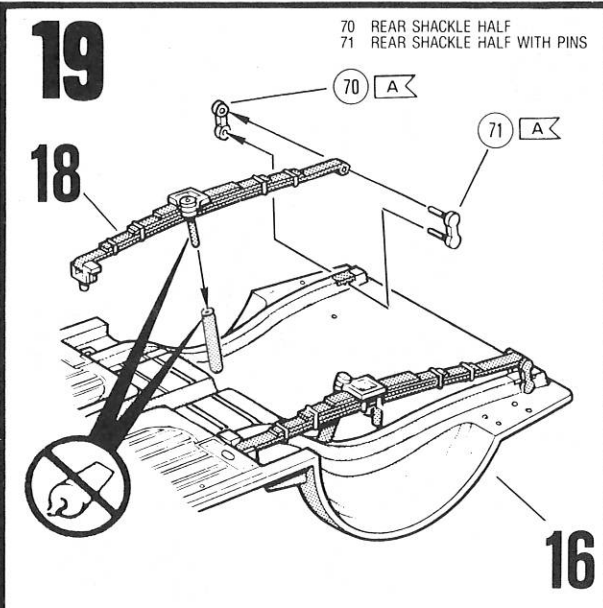
- 42 LOWER SHOCK ABSORBER HALF
- 44 SHOCK ABSORBER RETAINER
- 68L LEFT REAR LOWER SHOCK MOUNTING PLATE
- 73L LEFT REAR LIEF SPRING



# 18

- 69 FRONT SHACKLE
- 72 SHACKLE PIN

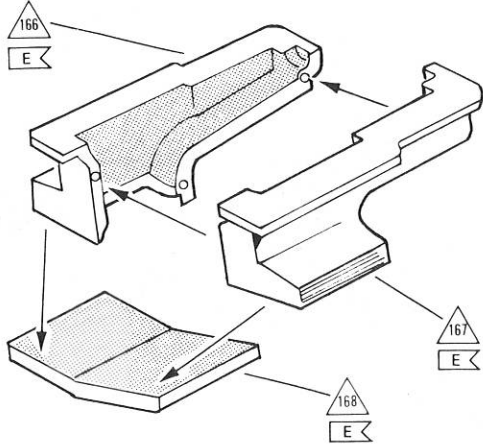






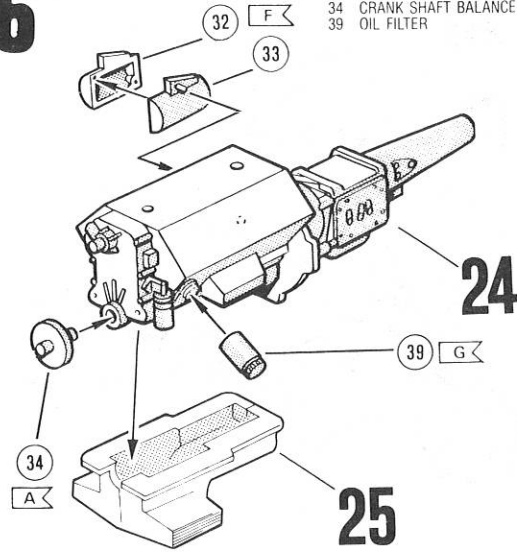
# 25

- 166 COBRA OIL PAN RIGHT HALF
- 167 COBRA OIL PAN LEFT HALF
- 168 COBRA OIL PAN LOWER COOLING FINS



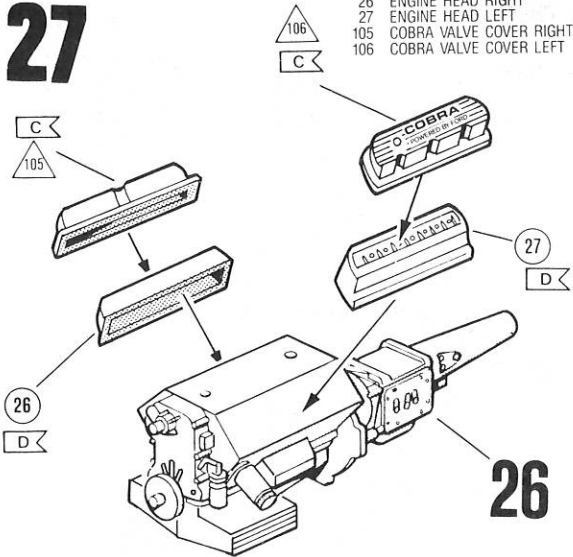
# 26

- 32 STARTER OUTSIDE HALF
- 33 STARTER INSIDE HALF
- 34 CRANK SHAFT BALANCE OIL FILTER
- 39 OIL FILTER



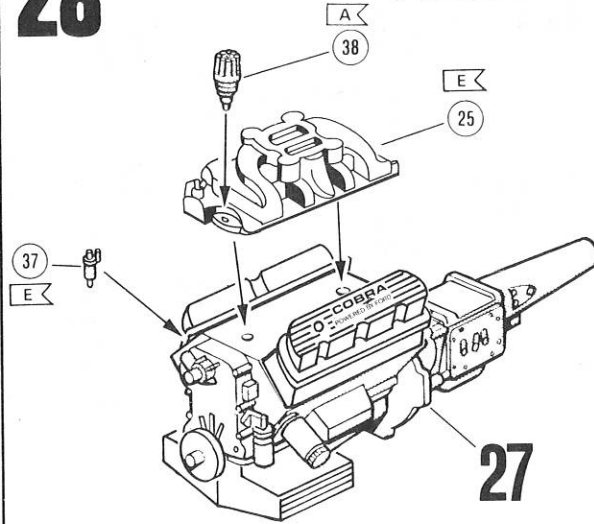
# 27

- 26 ENGINE HEAD RIGHT
- 27 ENGINE HEAD LEFT
- 105 COBRA VALVE COVER RIGHT
- 106 COBRA VALVE COVER LEFT



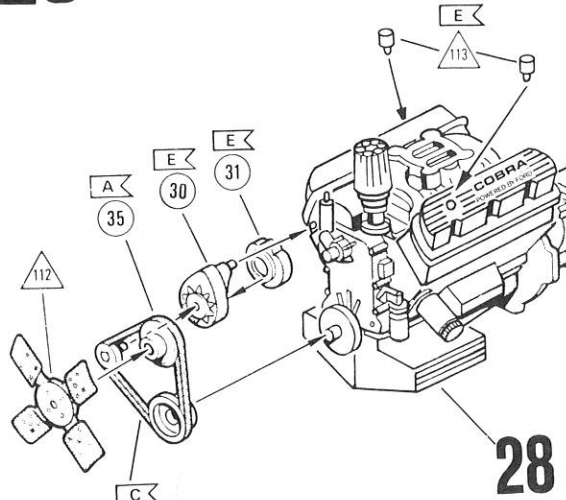
# 28

- 25 COBRA INTAKE MANIFOLD
- 37 COIL
- 38 DISTRIBUTOR



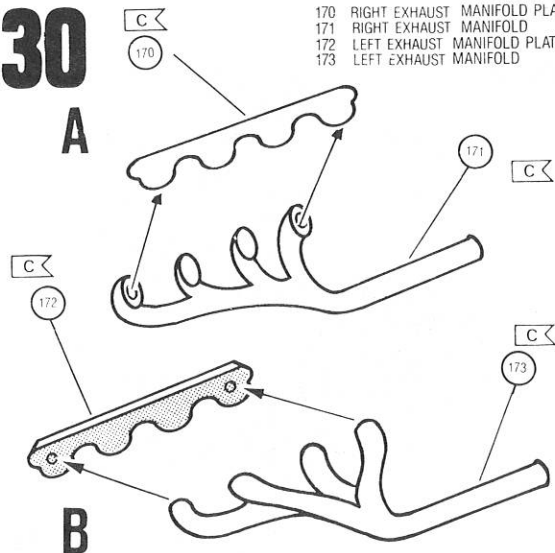
# 29

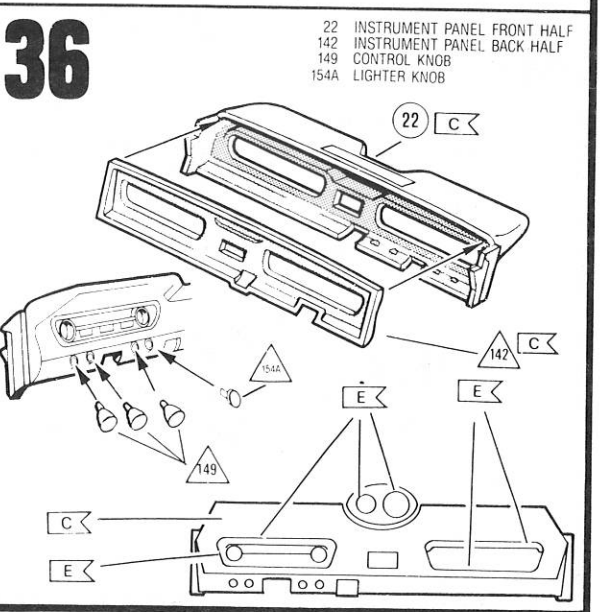
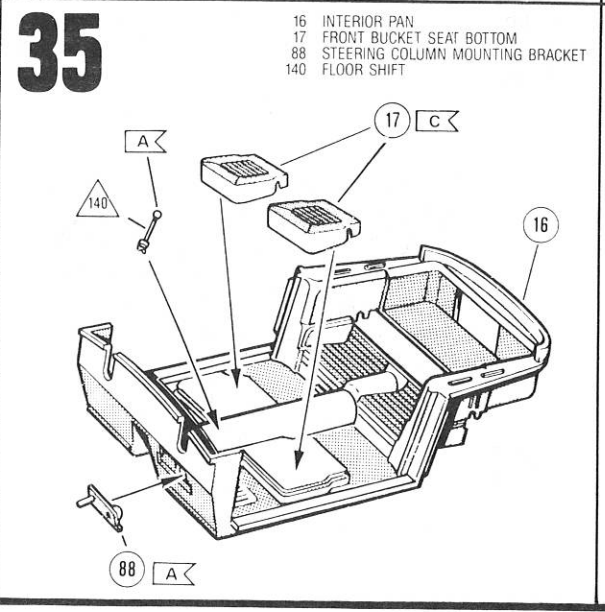
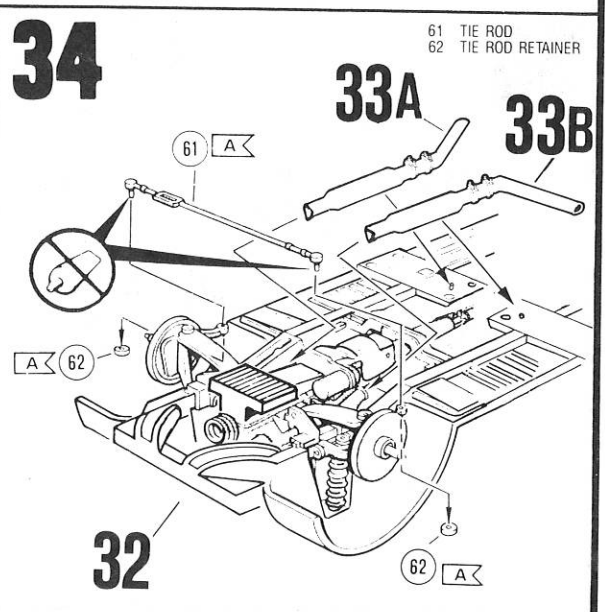
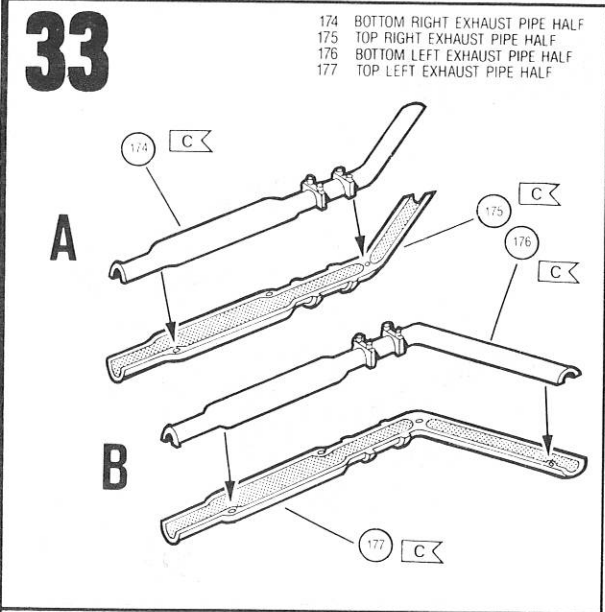
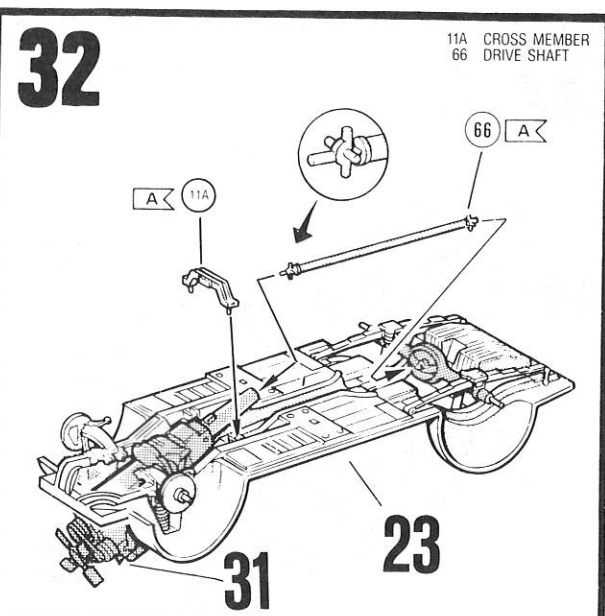
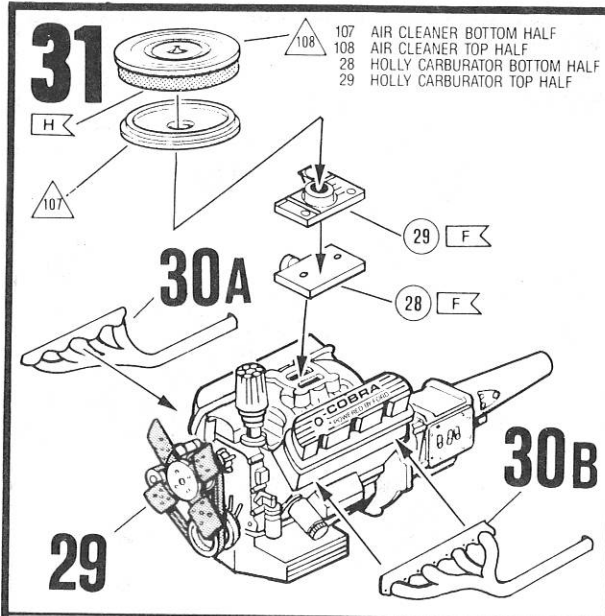
- 30 ALTERNATOR FRONT HALF
- 31 ALTERNATOR BACK HALF
- 35 FAN BELT/PULLEYS
- 112 FAN
- 113 OIL BREATHER CAPS



# 30

- 170 RIGHT EXHAUST MANIFOLD PLATE
- 171 RIGHT EXHAUST MANIFOLD
- 172 LEFT EXHAUST MANIFOLD PLATE
- 173 LEFT EXHAUST MANIFOLD





# 37

C

178

12 LEFT INTERIOR PANEL  
13 RIGHT INTERIOR WINDOW PANEL  
178 INSTRUMENT POD

C

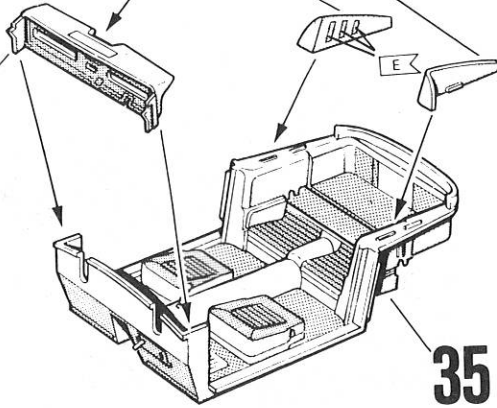
13

12

C

E

# 36



# 35

# 38

180

C

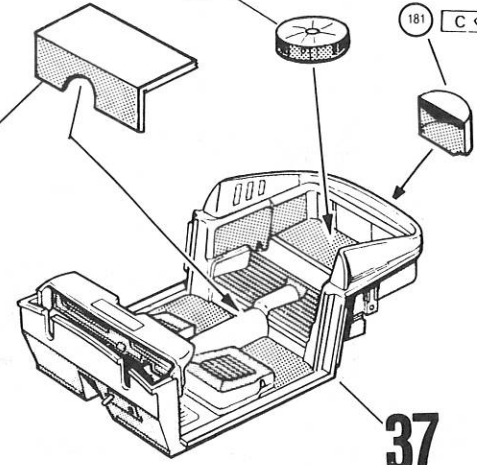
179 PACKAGE SHELF  
180 SPARE TIRE/COVER  
181 PACKAGE SHELF BACK

179

C

181

C



# 37

# 39

98 RIGHT STEERING COLUMN  
99 LEFT STEERING COLUMN  
145 TURN SIGNAL

C

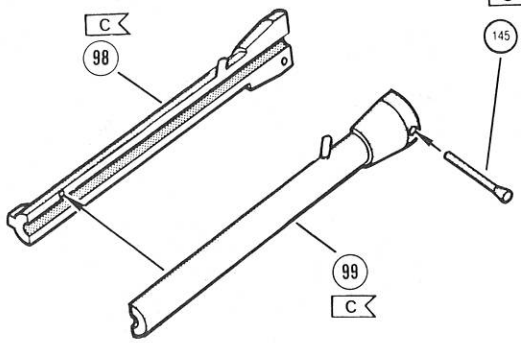
98

C

145

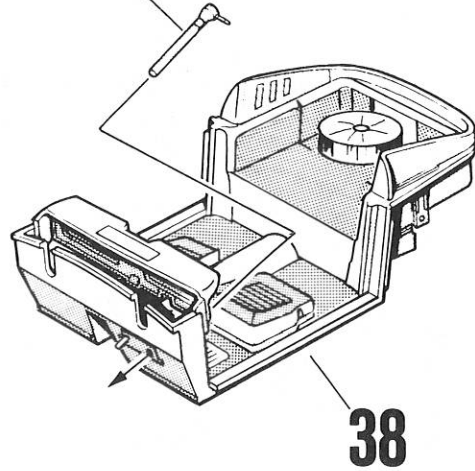
99

C



# 40

# 39



# 38

# 41

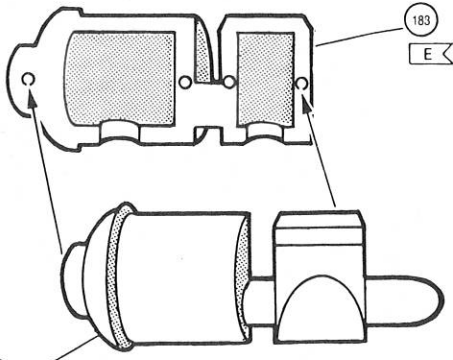
182 MASTER CYLINDER LEFT HALF  
183 MASTER CYLINDER RIGHT HALF

183

E

182

E



# 42

9 FIRE WALL  
59 FORWARD STEERING COLUMN  
90 LEFT STEERING GEAR

90

C

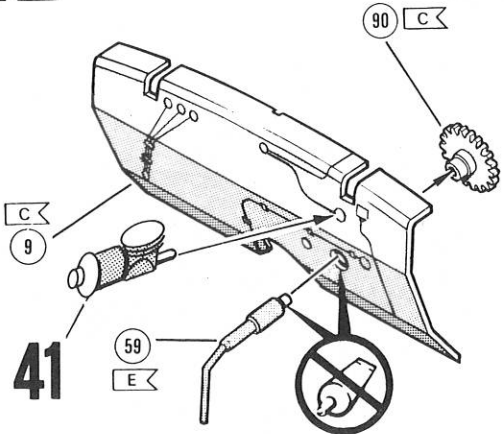
C

9

59

E

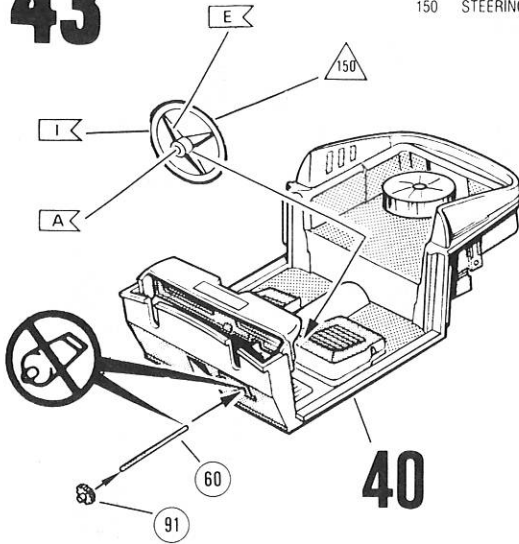
# 41





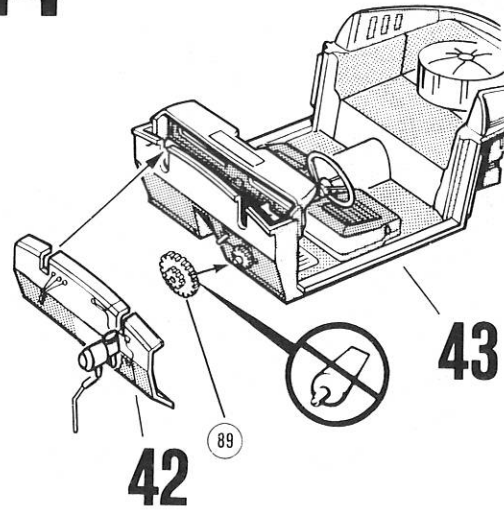
# 43

60 STEERING SHAFT  
 91 PINION GEAR  
 150 STEERING WHEEL



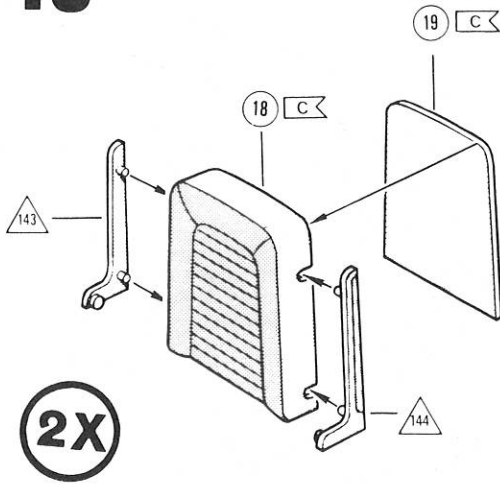
# 44

89 RIGHT STEERING GEAR

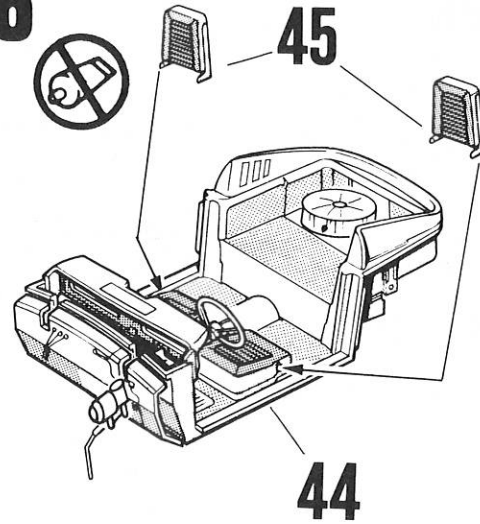


# 45

18 BUCKET SEAT BACK  
 19 BUCKET SEAT BACK PANEL  
 143 SEAT TRIM RIGHT  
 144 SEAT TRIM LEFT

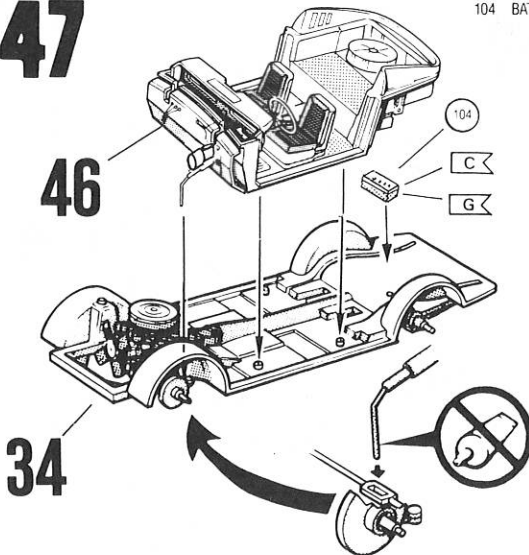


# 46



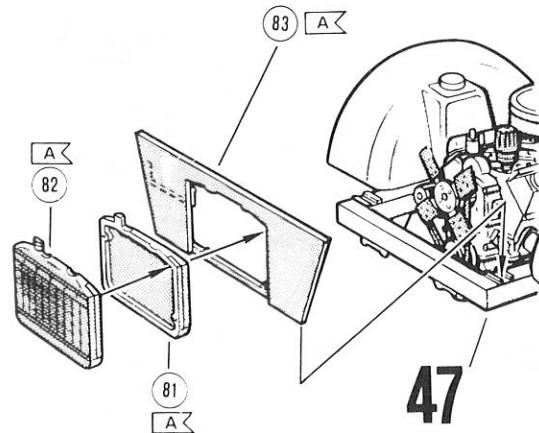
# 47

104 BATTERY



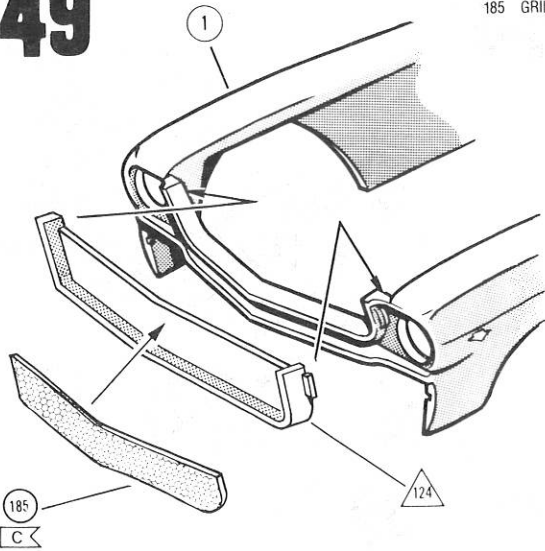
# 48

81 RADIATOR BACK HALF  
 82 RADIATOR FRONT HALF  
 83 RADIATOR MOUNTING PANEL



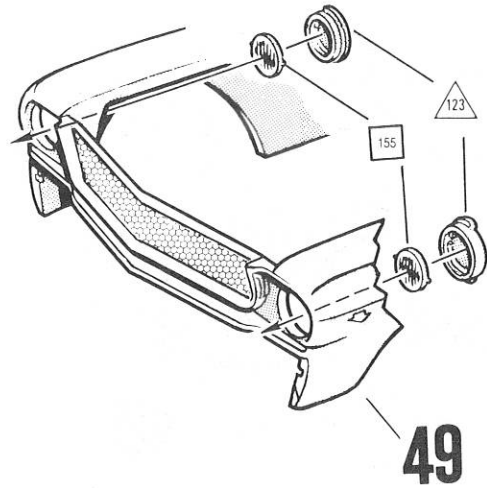
# 49

- 1 BODY
- 124 GRILLE
- 185 GRILLE



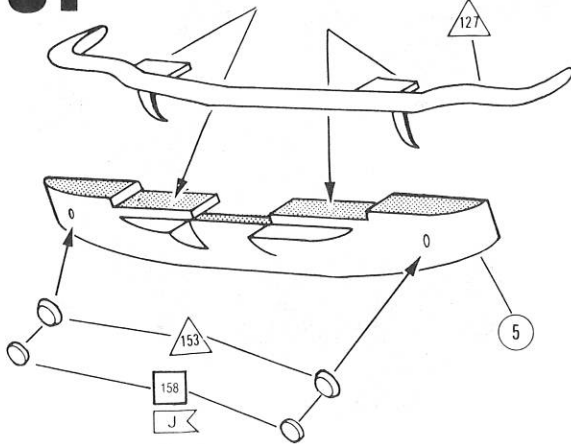
# 50

- 123 HEADLIGHT HOUSING
- 155 HEADLIGHT LENS



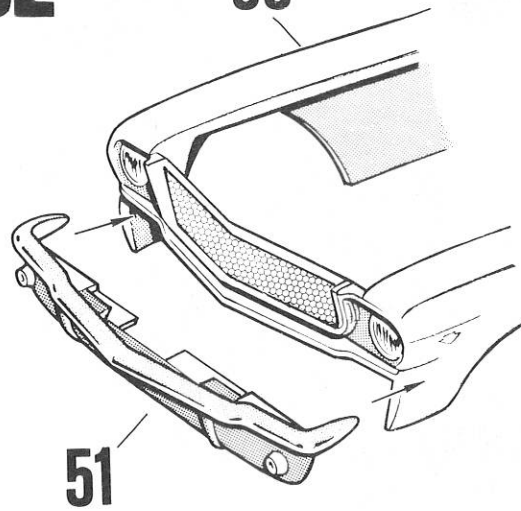
# 51

- 5 LOWER FRONT BODY PANEL
- 153 TURN SIGNAL BEZELS
- 158 TURN SIGNAL LENS
- 127 FRONT BUMPER



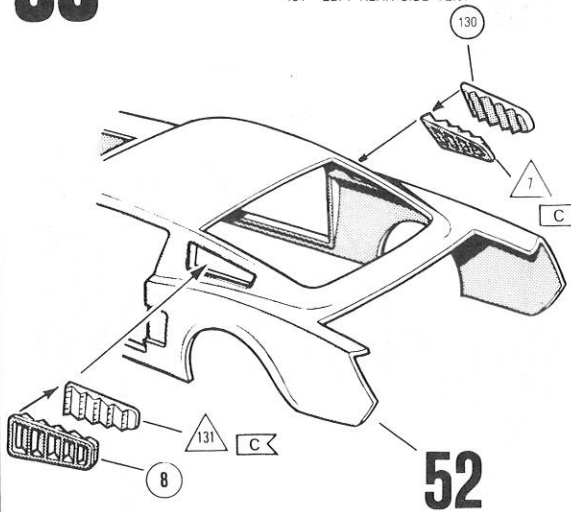
# 52

# 50



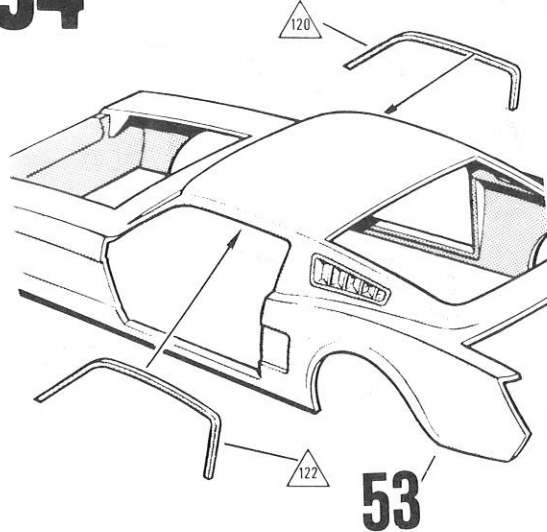
# 53

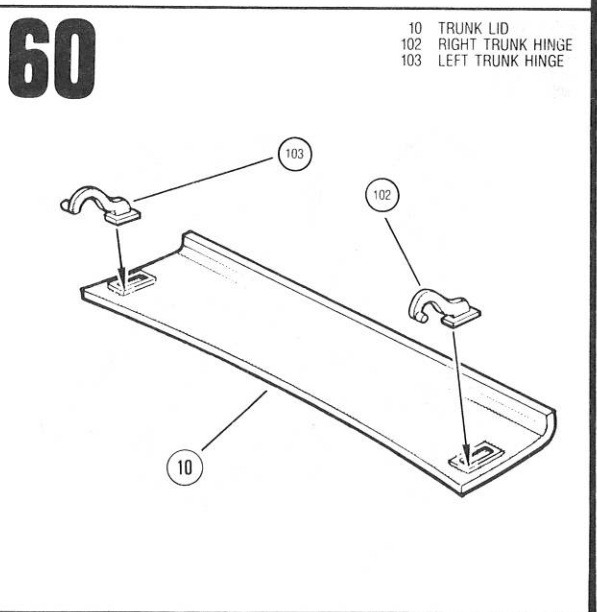
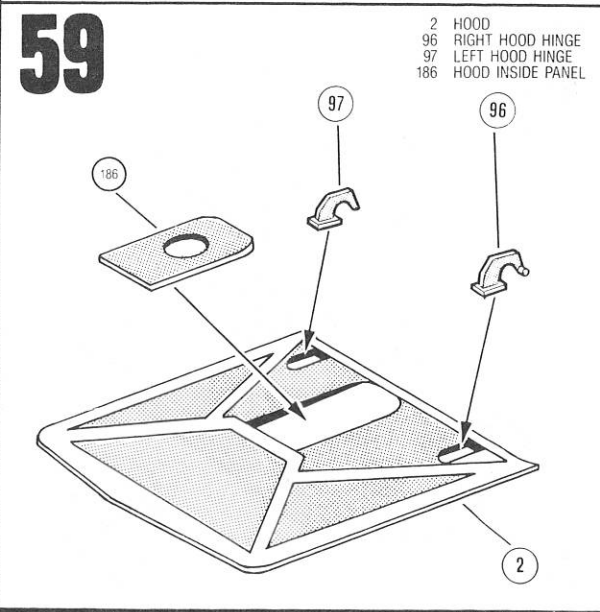
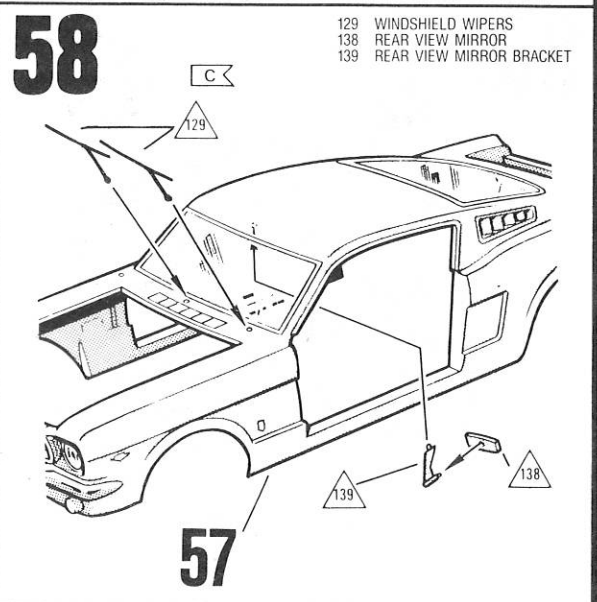
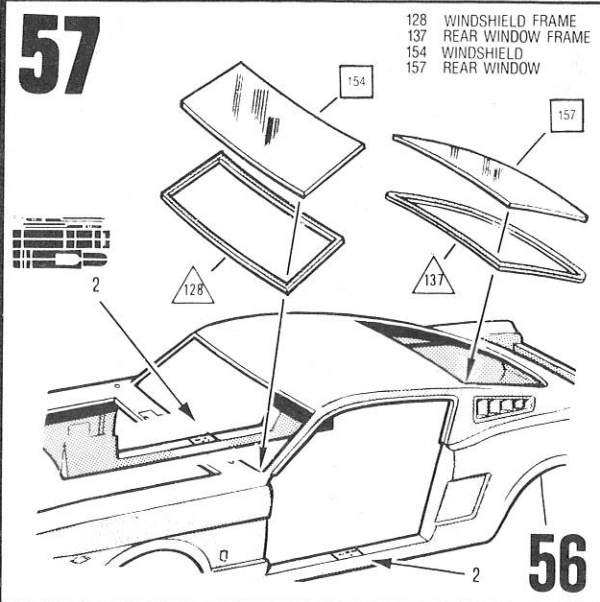
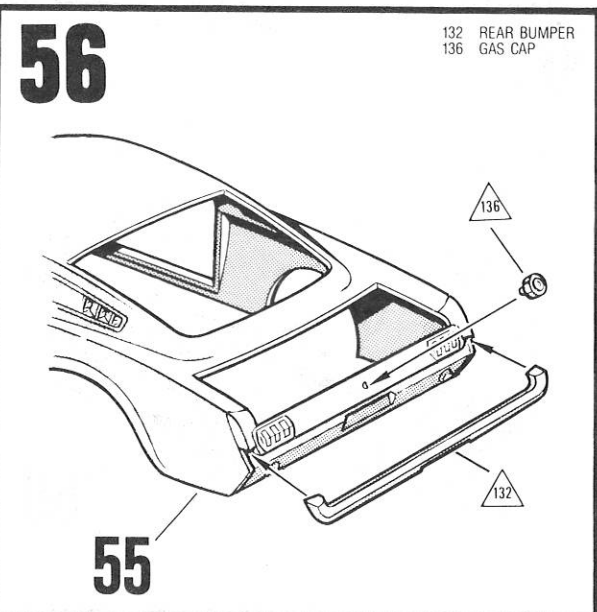
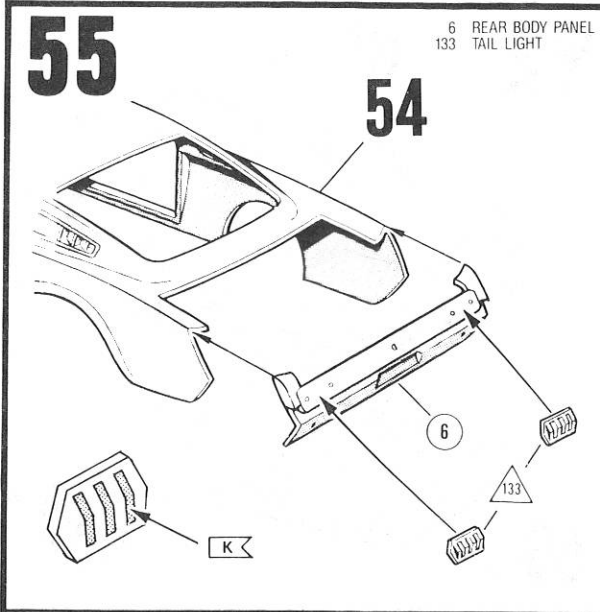
- 7 RIGHT REAR SIDE VENT
- 8 LEFT REAR SIDE VENT COVER PANEL
- 130 RIGHT REAR SIDE VENT COVER PANEL
- 131 LEFT REAR SIDE VENT



# 54

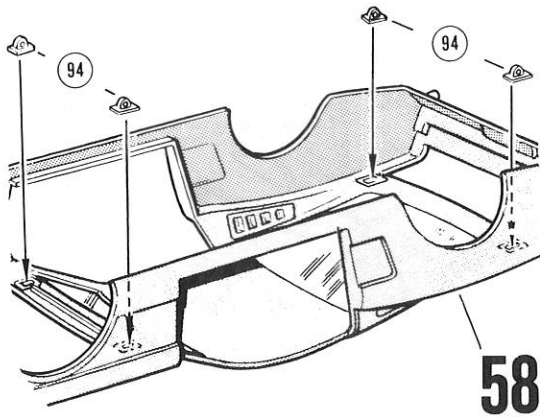
- 120 RIGHT SIDE DOOR DRIP MOLDING
- 122 LEFT SIDE DOOR DRIP MOLDING





# 61

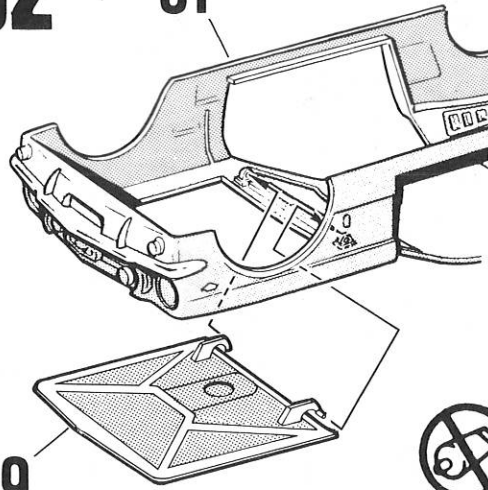
94 HOOD AND TRUNK LID HINGE MOUNTS



# 58

# 62

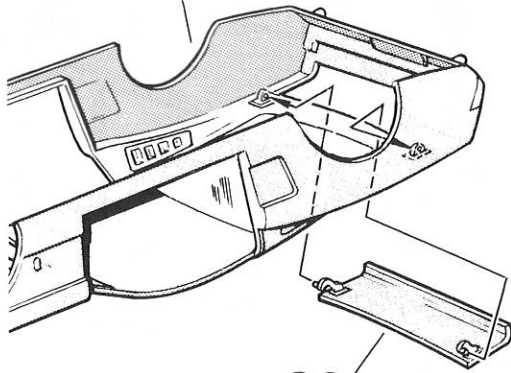
# 61



# 59

# 63

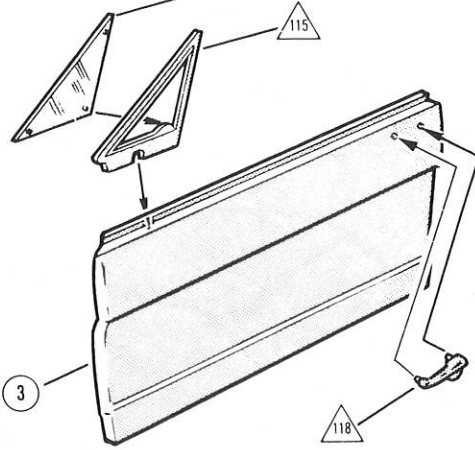
# 62



# 60

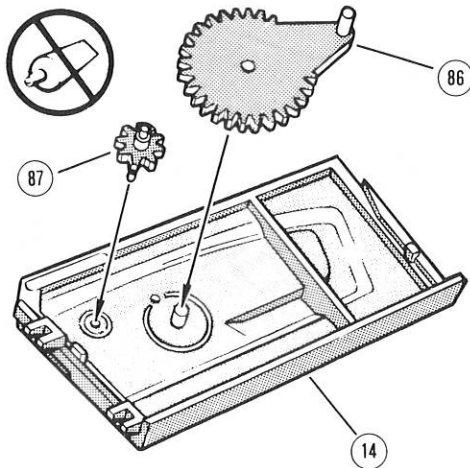
# 64

3 LEFT DOOR OUTSIDE HALF  
 115 LEFT WING PANEL  
 118 LEFT DOOR HANDLE  
 161 LEFT WING WINDOW



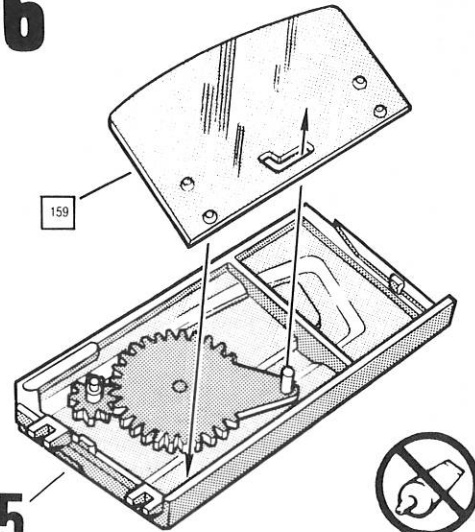
# 65

14 LEFT DOOR INSIDE HALF  
 86 WINDOW CRANK GEAR  
 87 WINDOW PINION GEAR



# 66

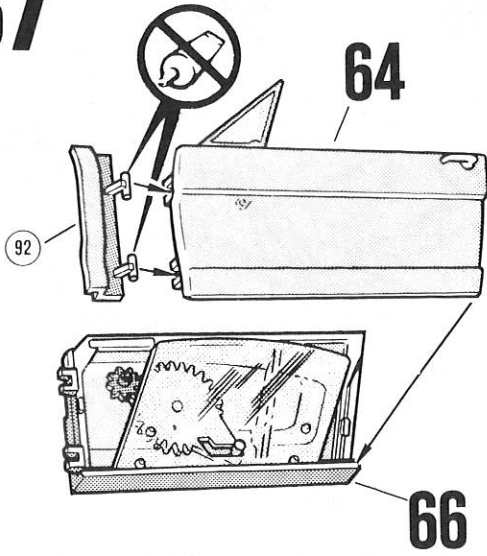
159 LEFT DOOR WINDOW



# 65

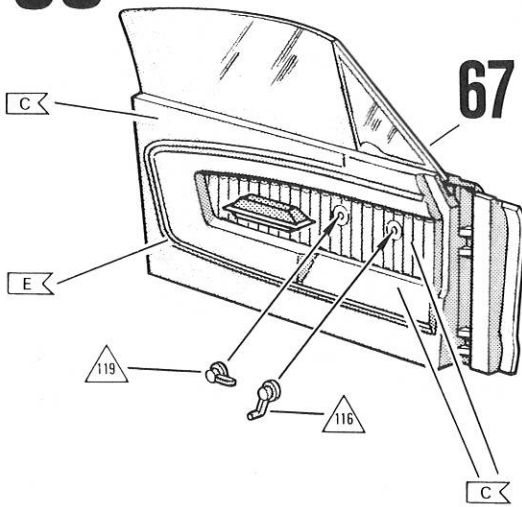
# 67

92 LEFT INTERIOR DOOR HINGE



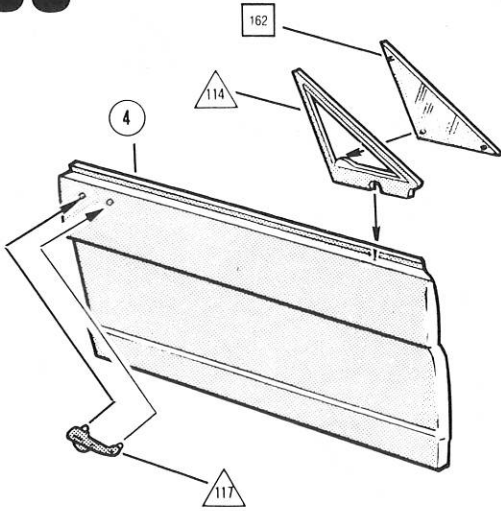
# 68

116 WINDOW CRANK HANDLE  
119 INTERIOR DOOR HANDLE



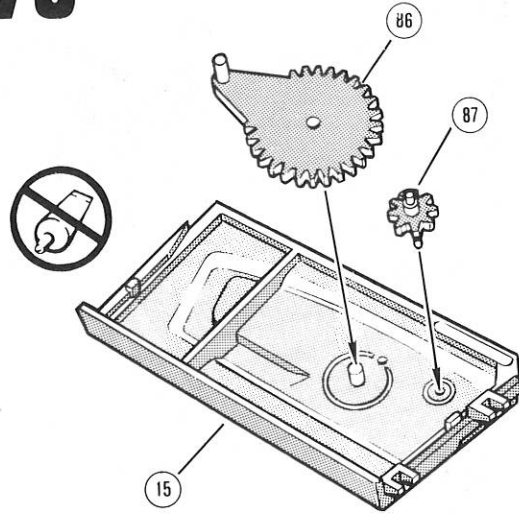
# 69

4 RIGHT DOOR OUTSIDE HALF  
114 RIGHT WINDOW WING FRAME  
117 RIGHT DOOR HANDLE  
162 RIGHT WING WINDOW



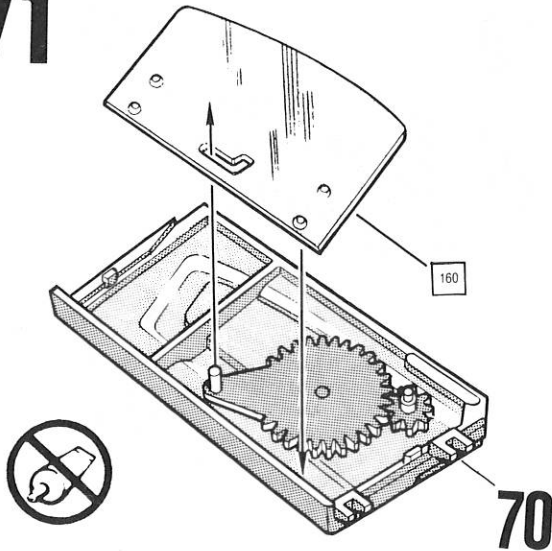
# 70

15 RIGHT DOOR INSIDE HALF  
86 WINDOW CRANK GEAR  
87 WINDOW PINION GEAR



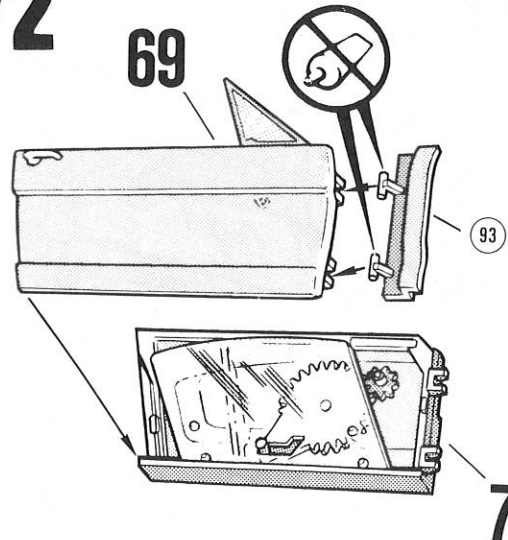
# 71

160 RIGHT DOOR WINDOW



# 72

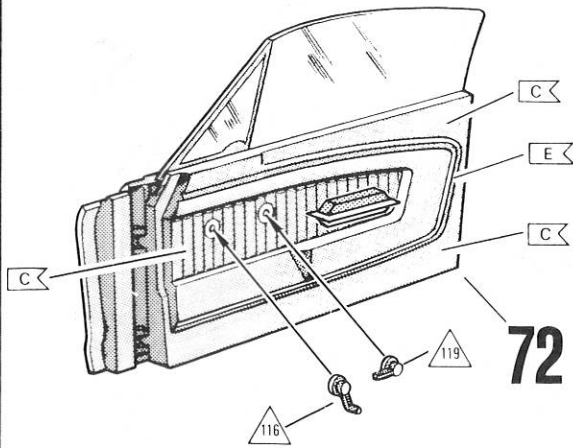
93 RIGHT INTERIOR DOOR HINGE





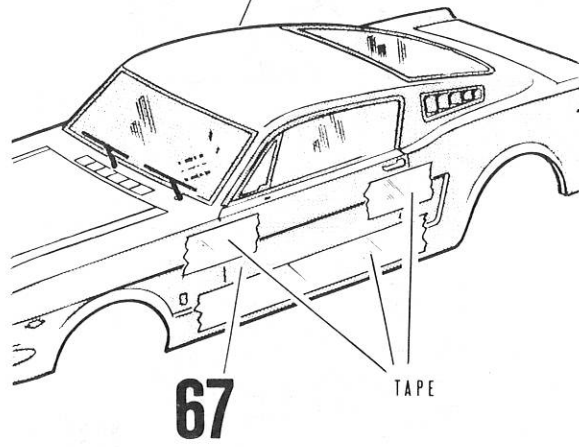
# 73

116 WINDOW CRANK HANDLE  
119 INTERIOR DOOR HANDLE



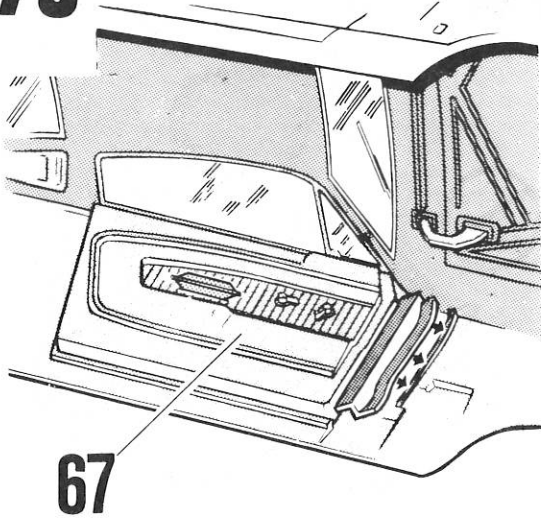
# 74

# 63



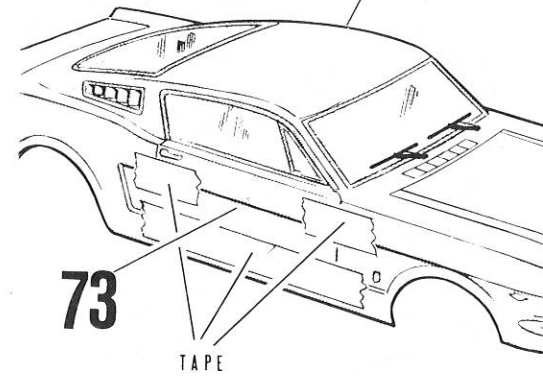
# 75

# 63



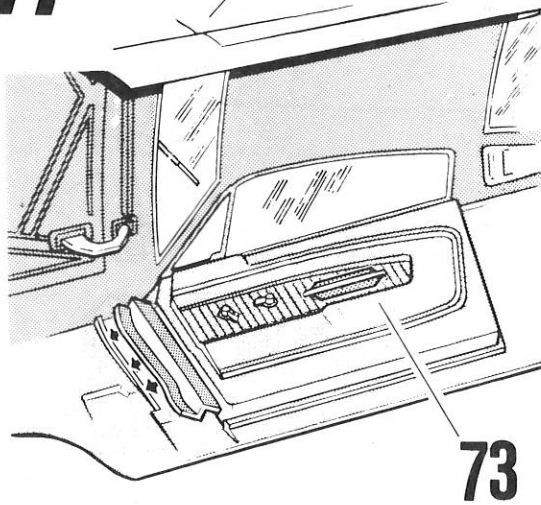
# 76

# 75



# 77

# 75



# 78

# 48

