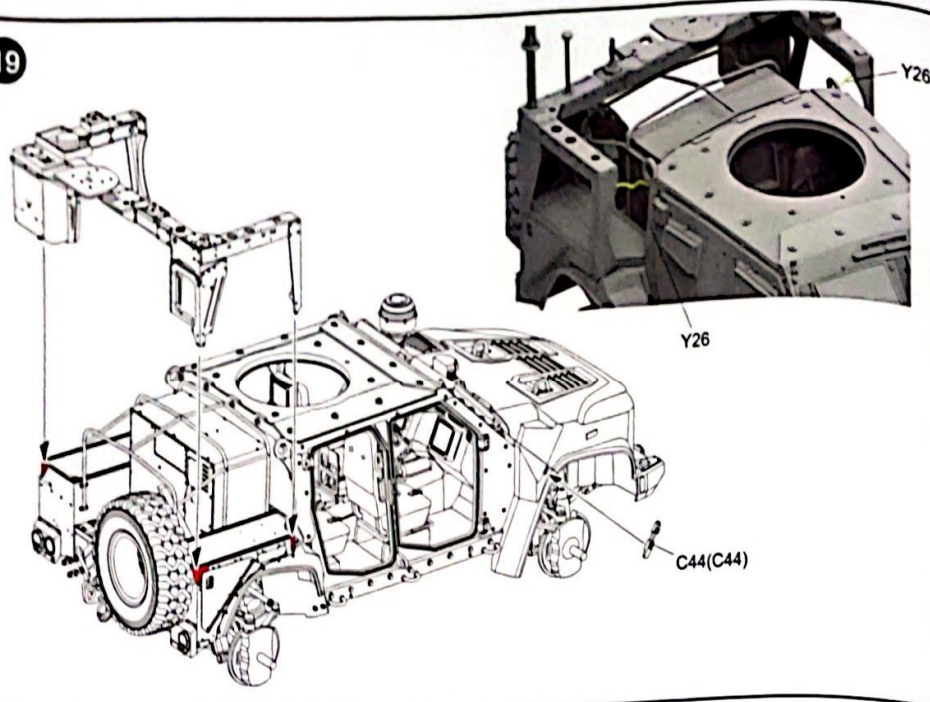
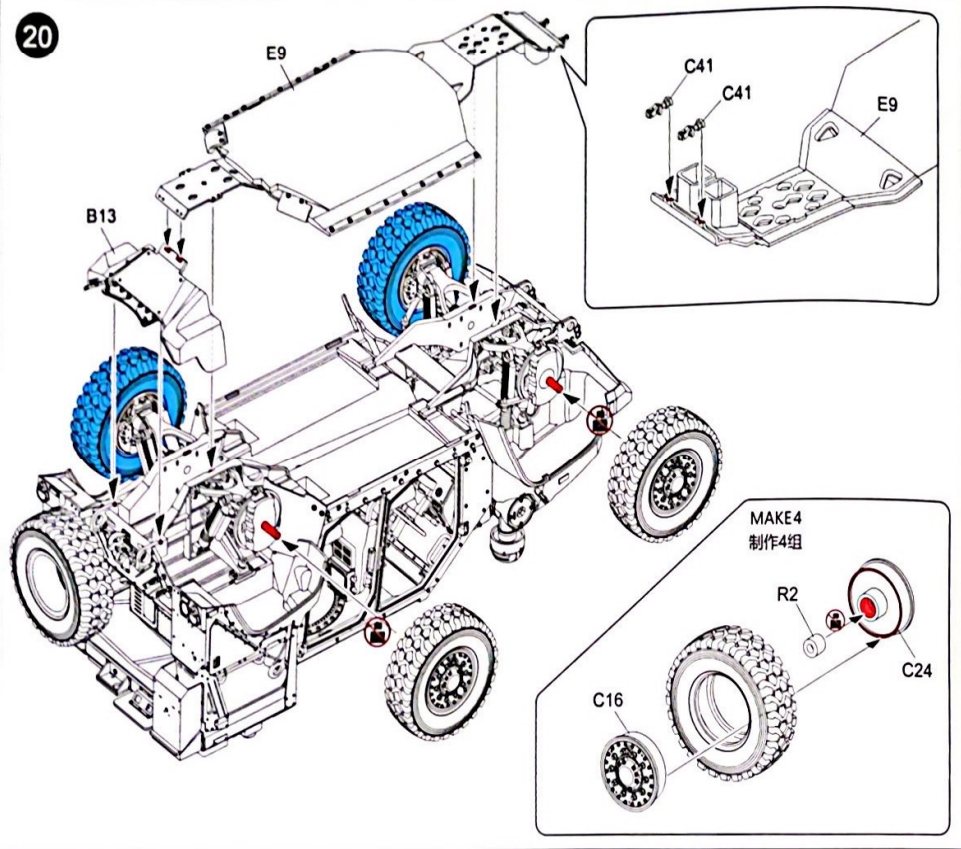


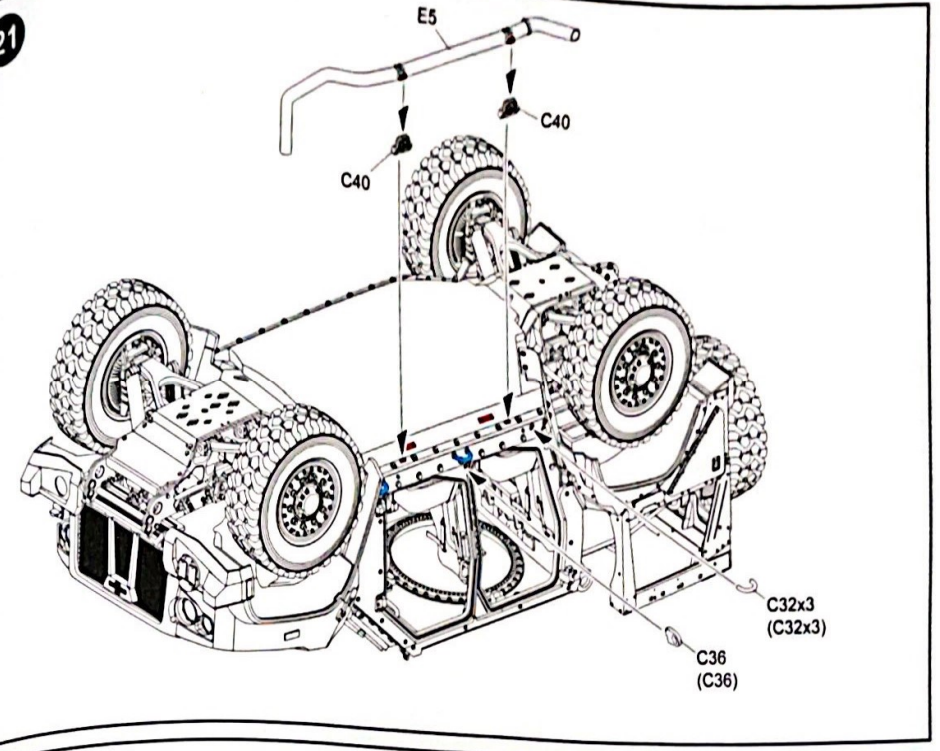
19



20

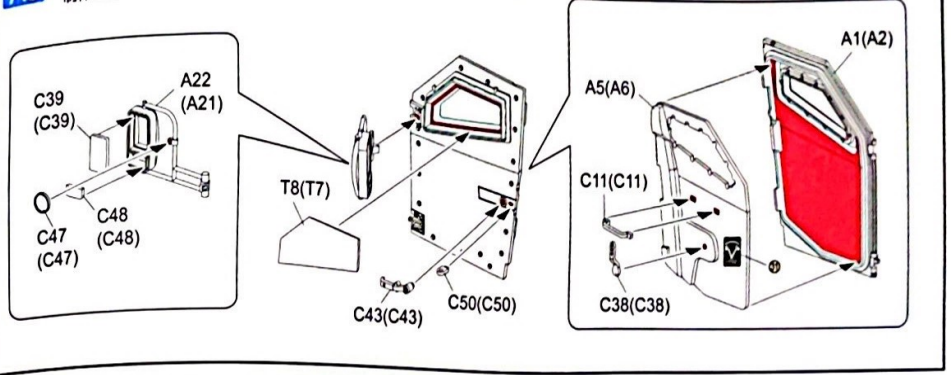


21



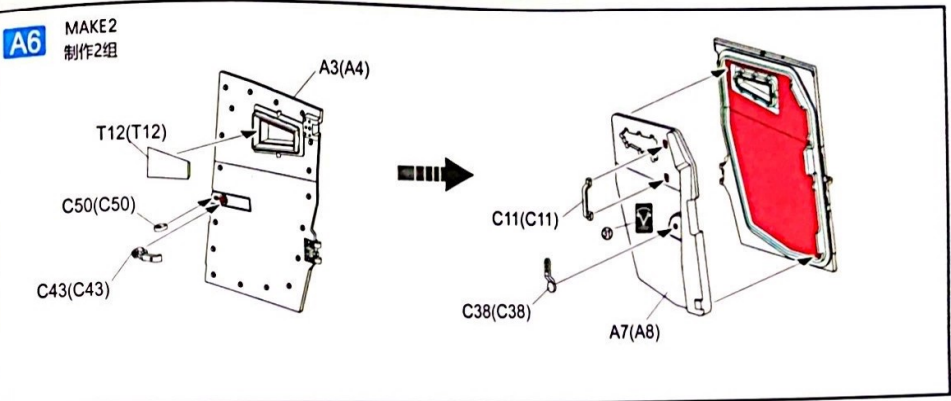
A5

MAKE2
制作2组

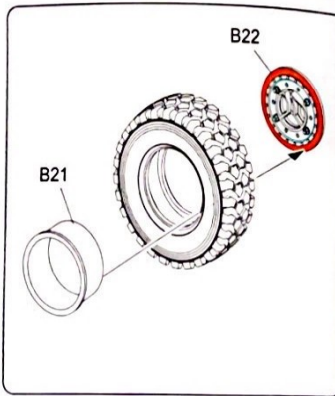
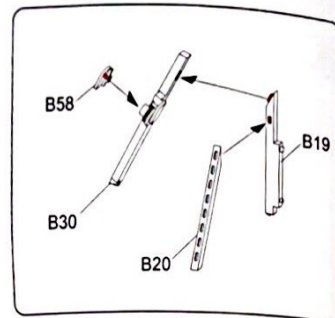
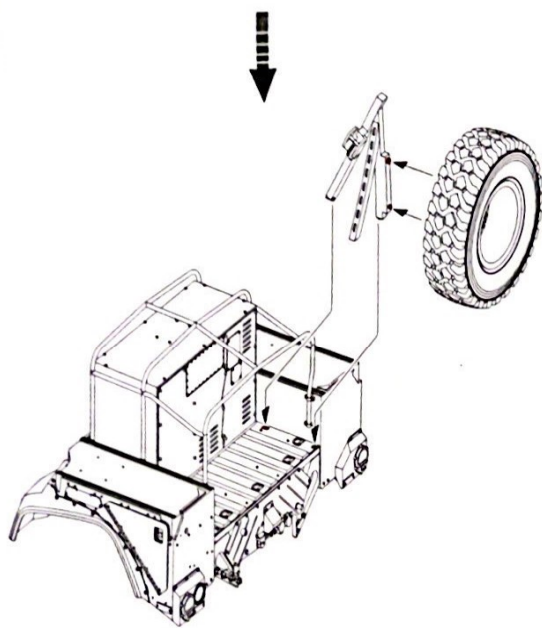
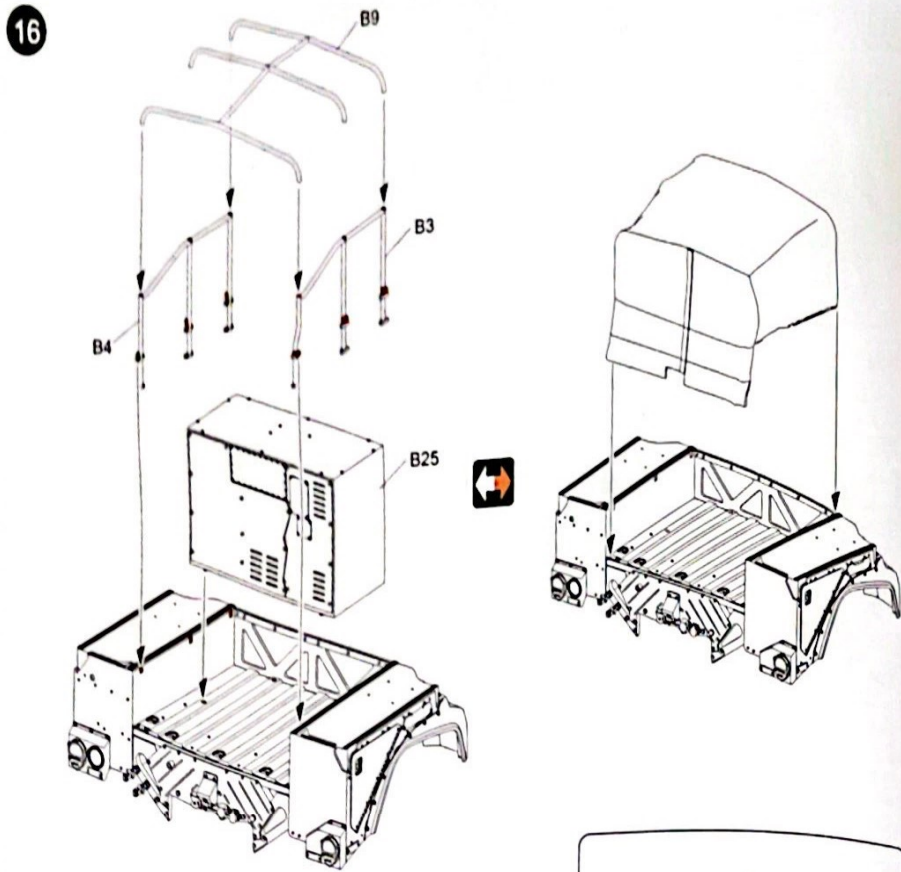


A6

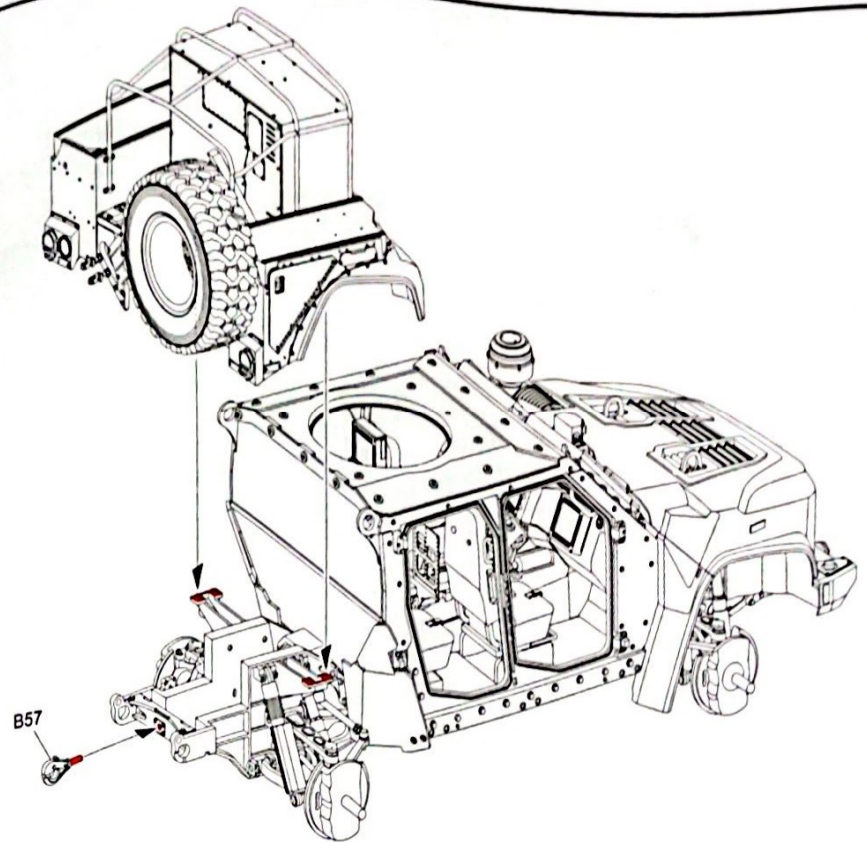
MAKE2
制作2组



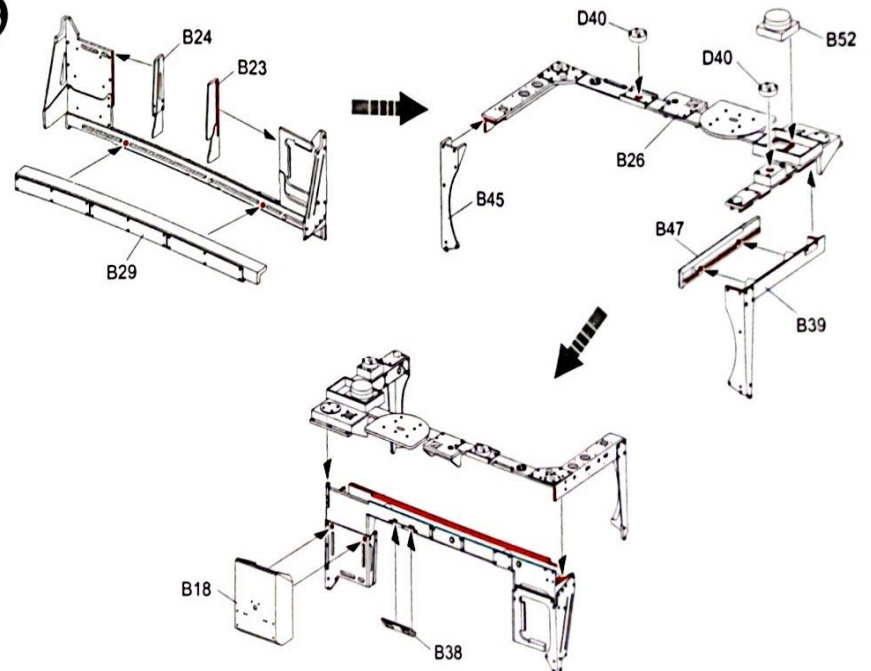
16

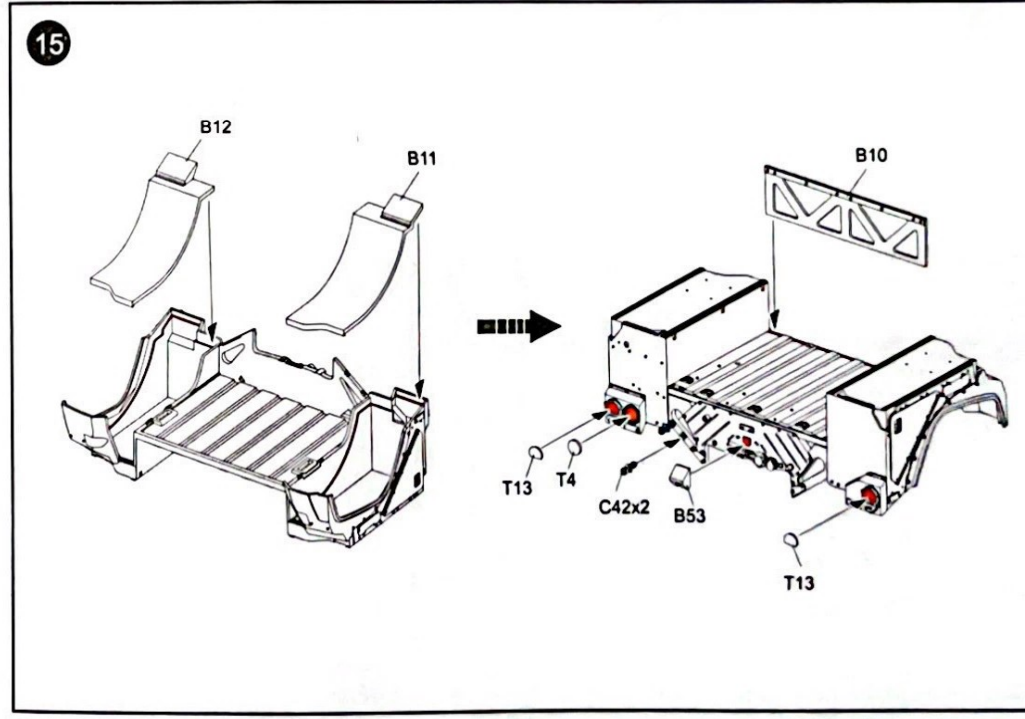
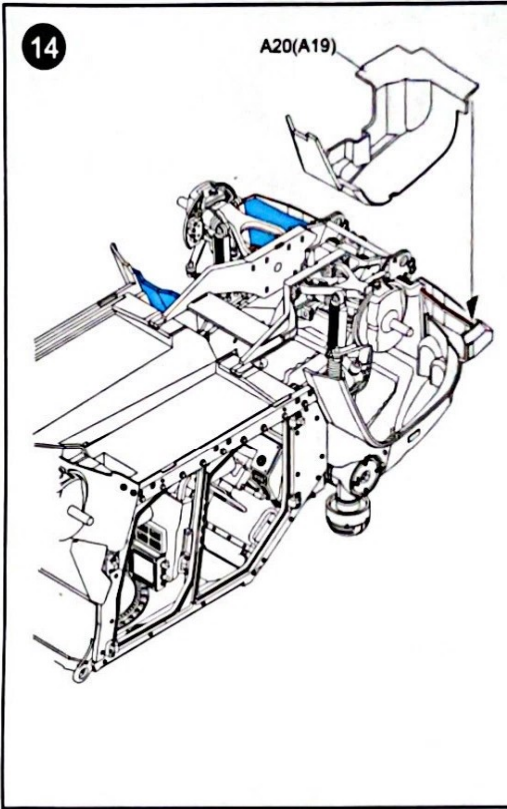
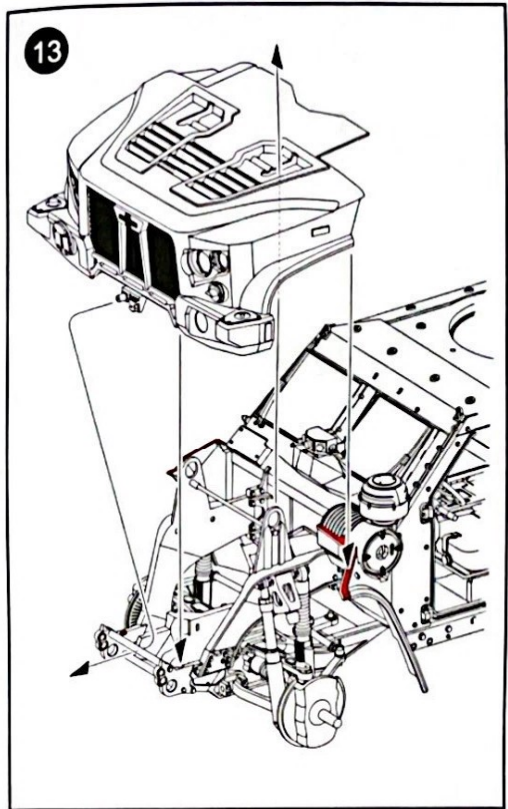
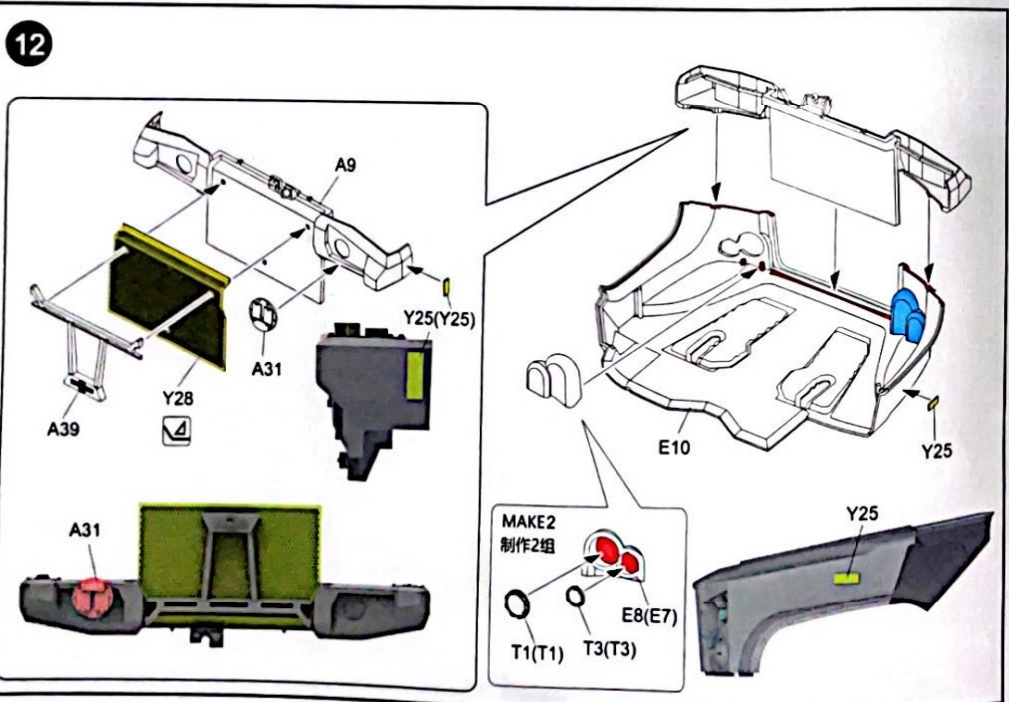
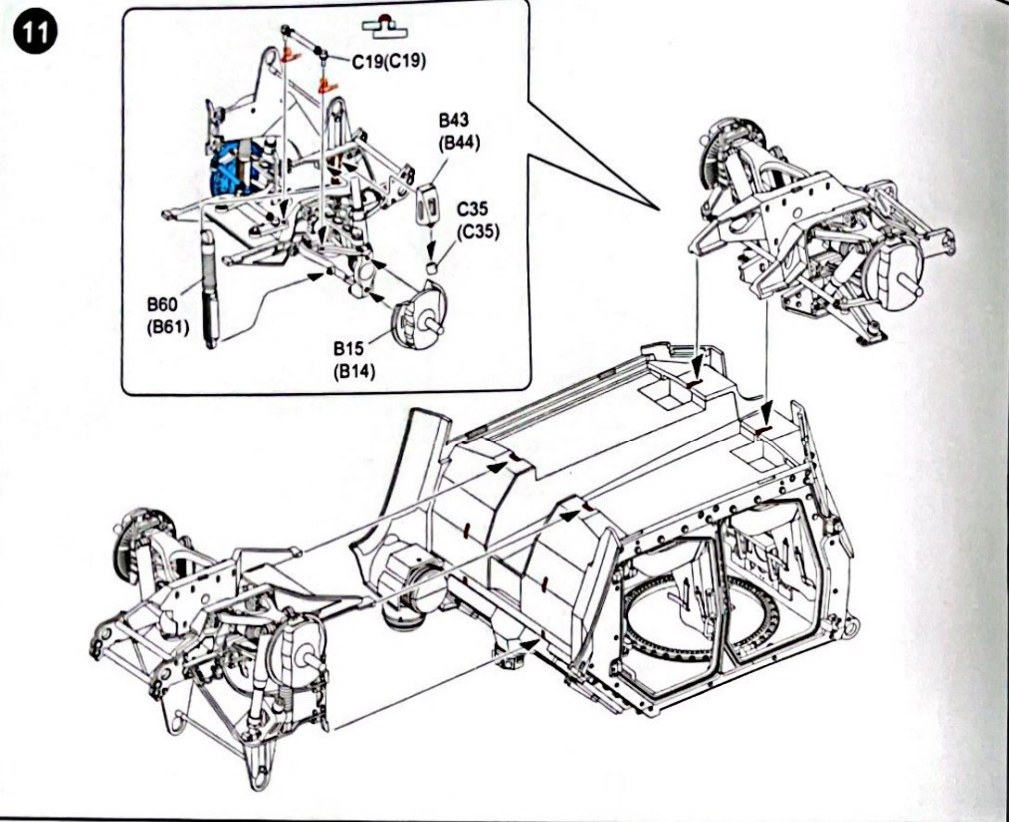


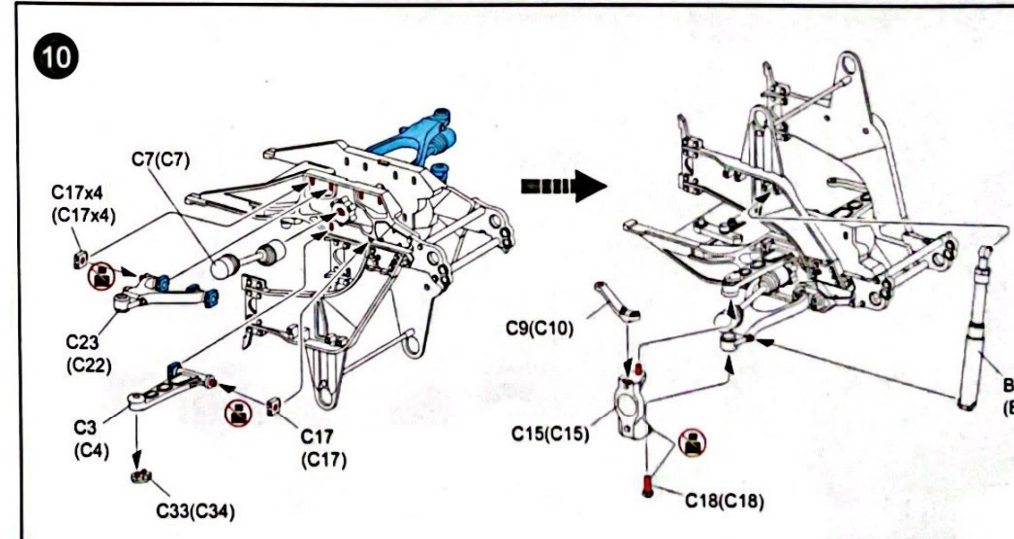
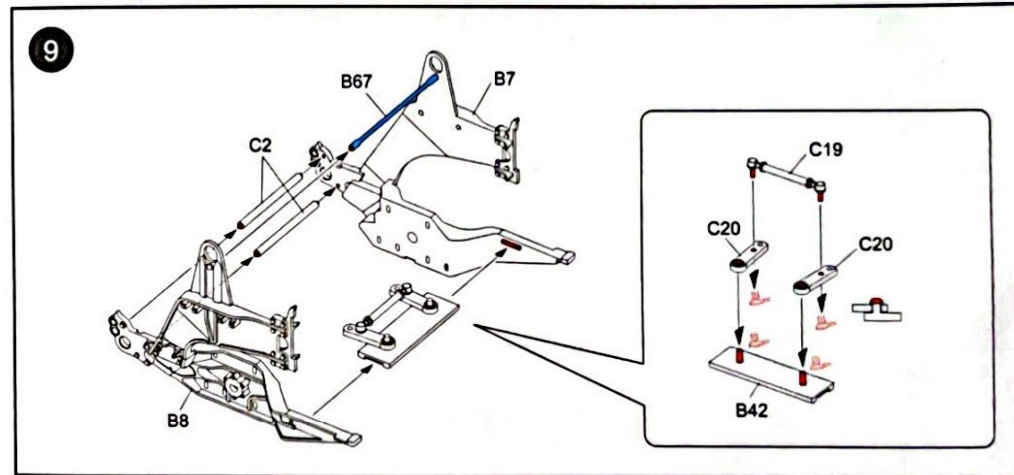
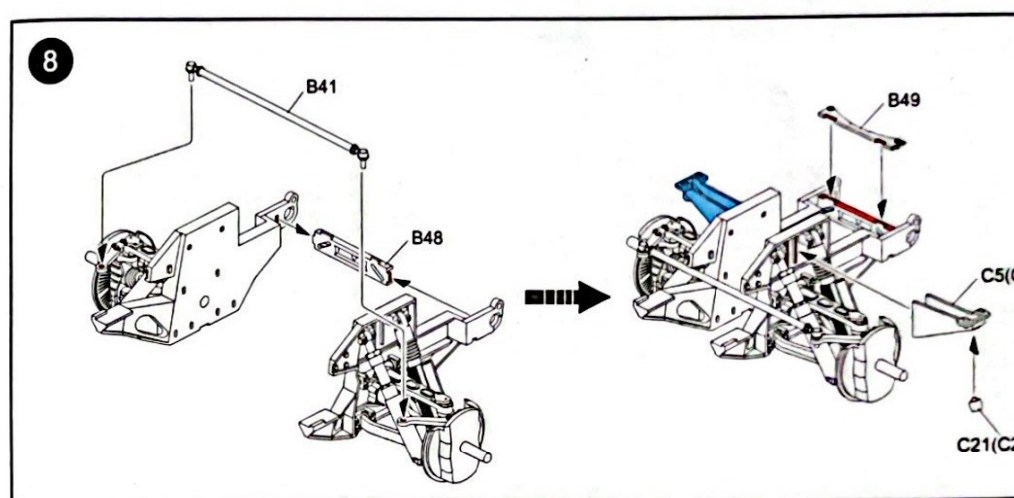
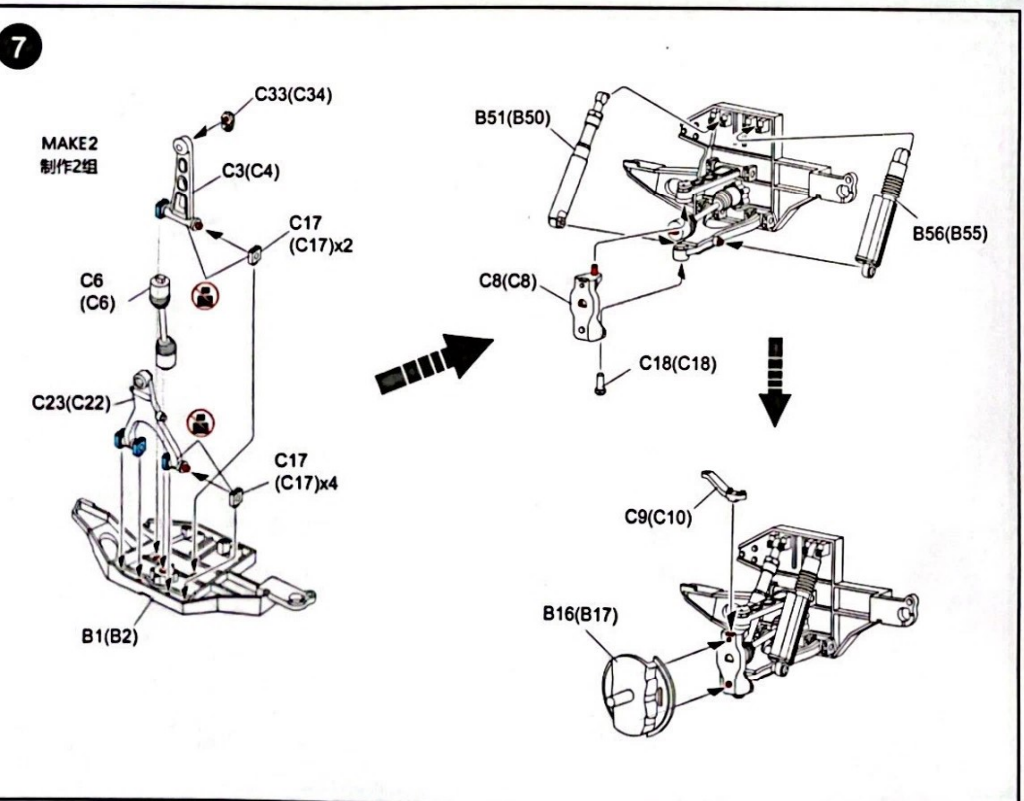
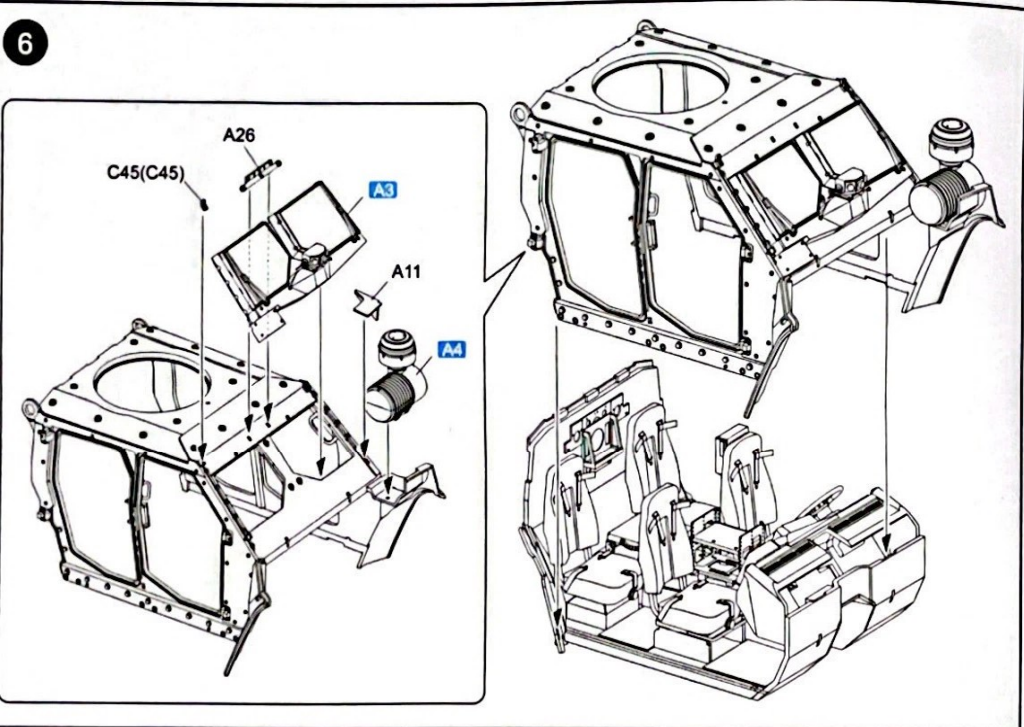
17



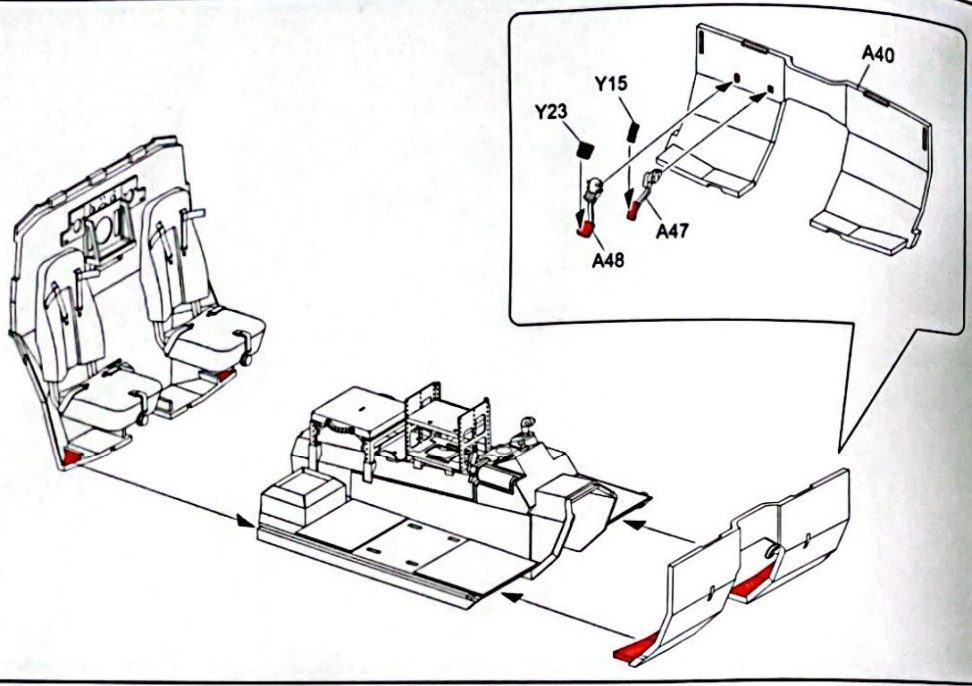
18



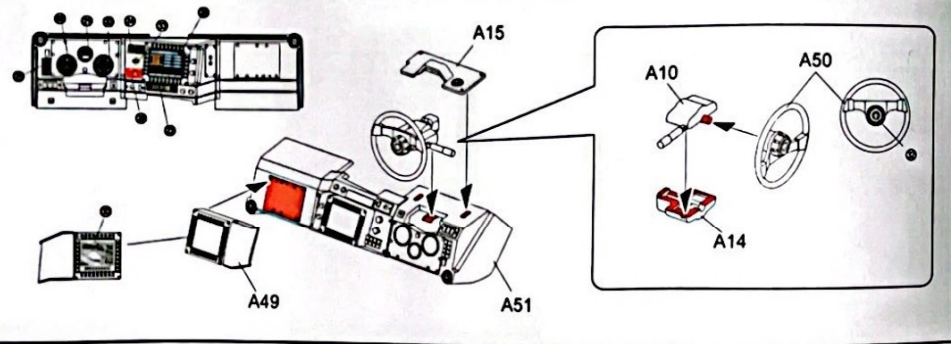




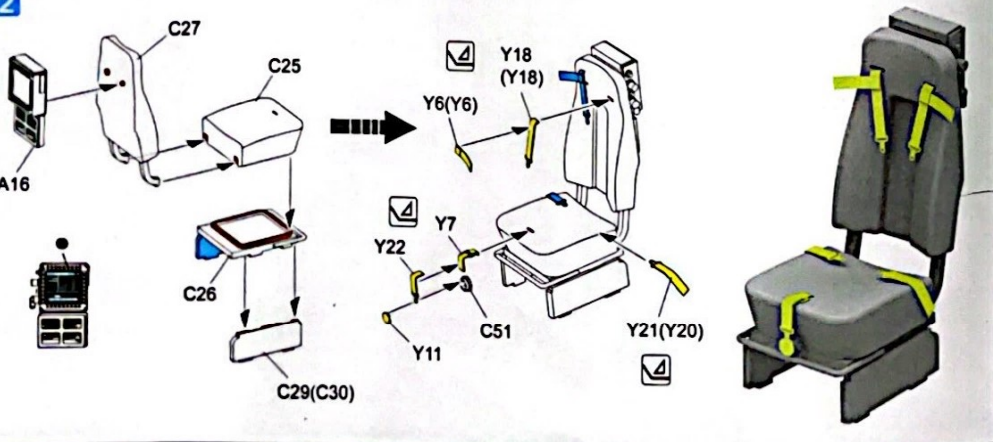
3



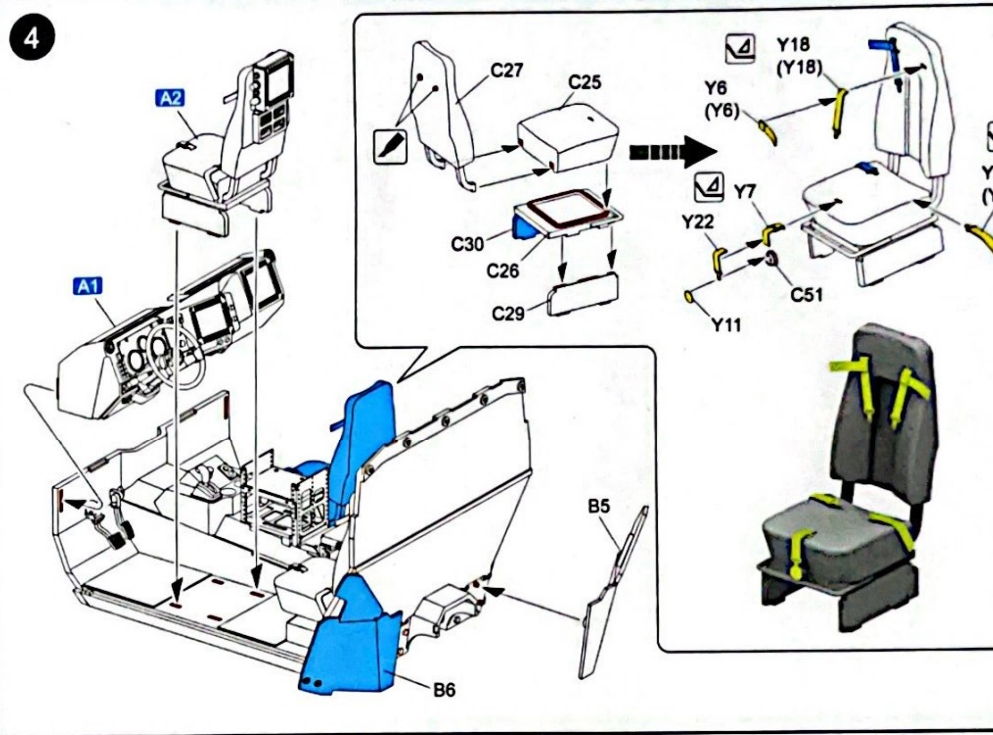
A1



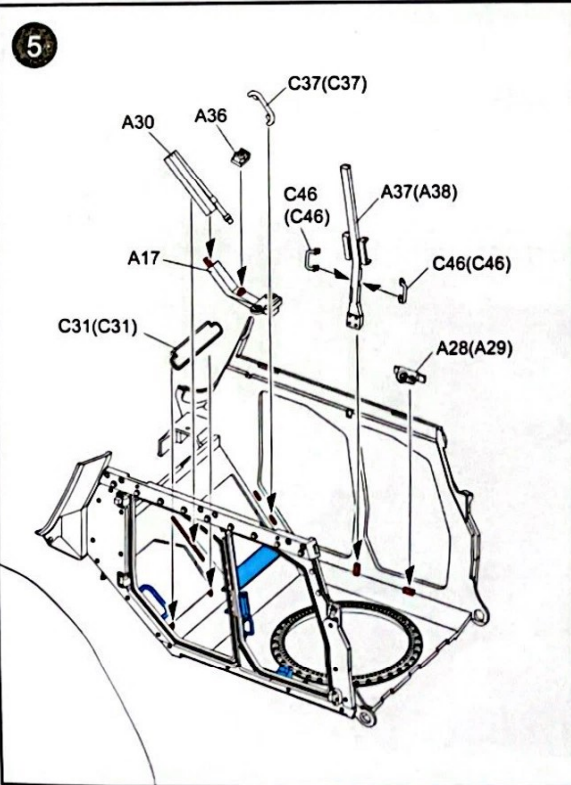
A2



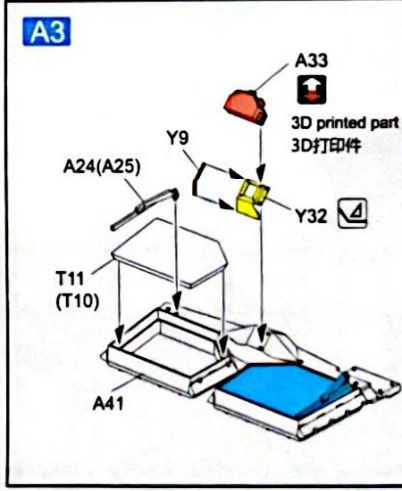
4



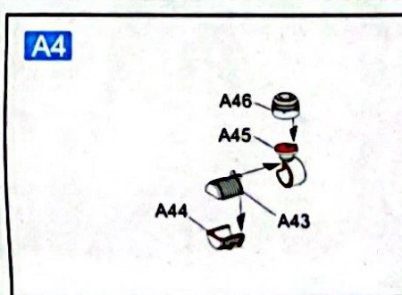
5

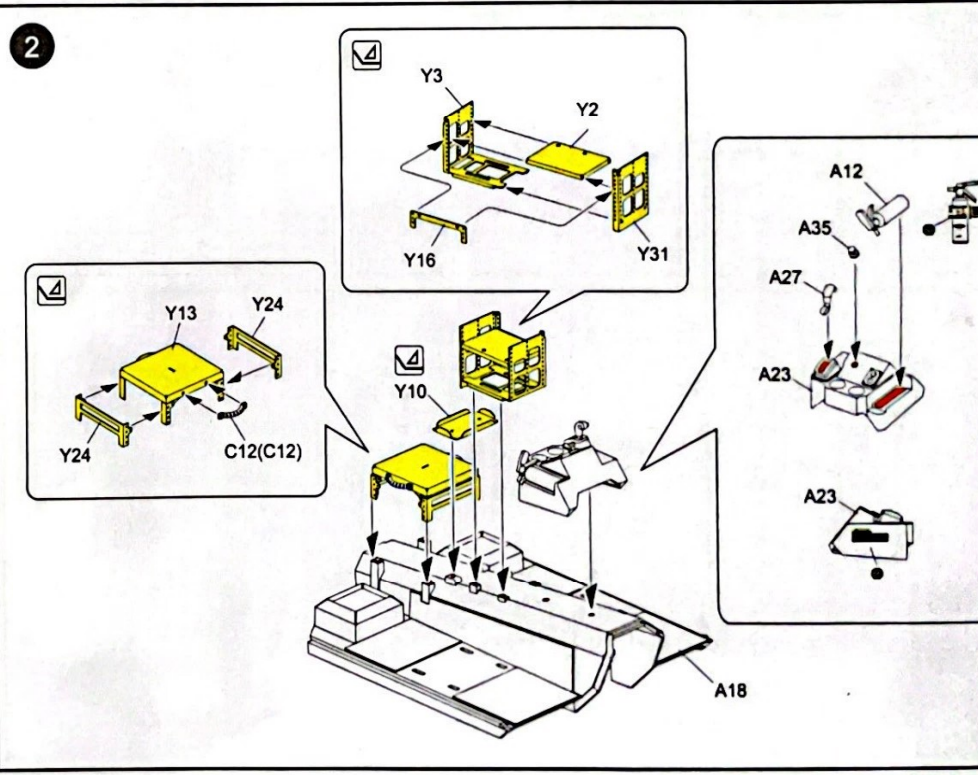
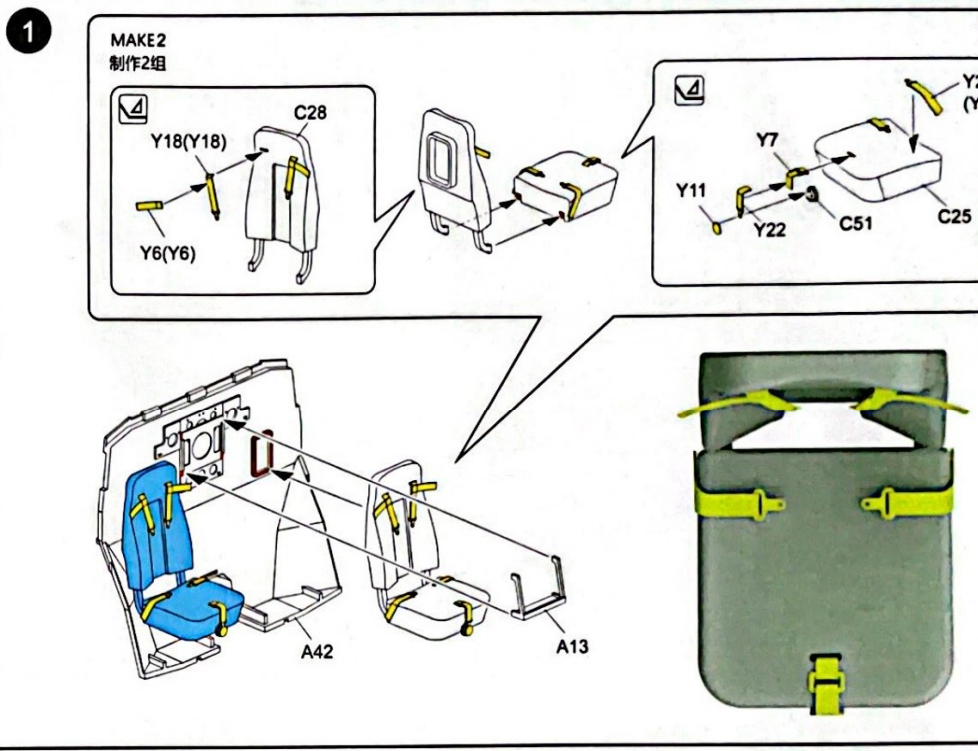
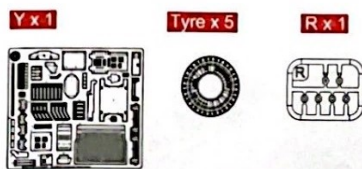
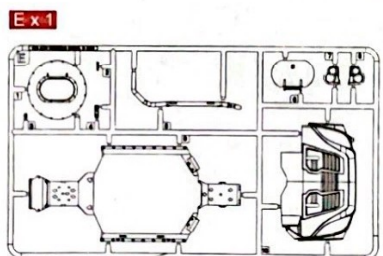
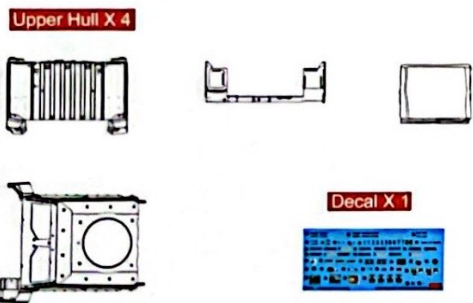
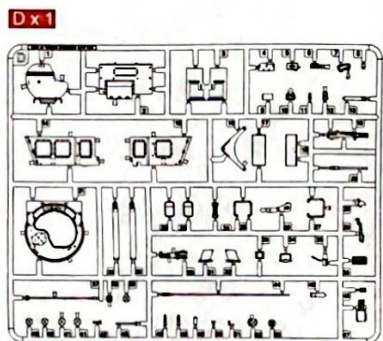
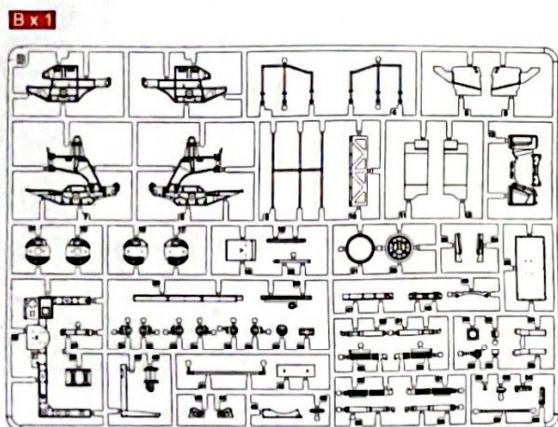
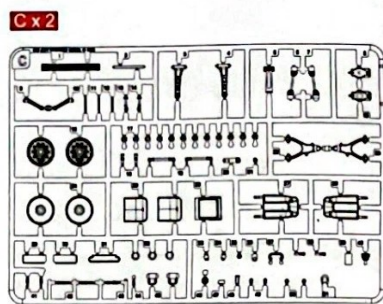
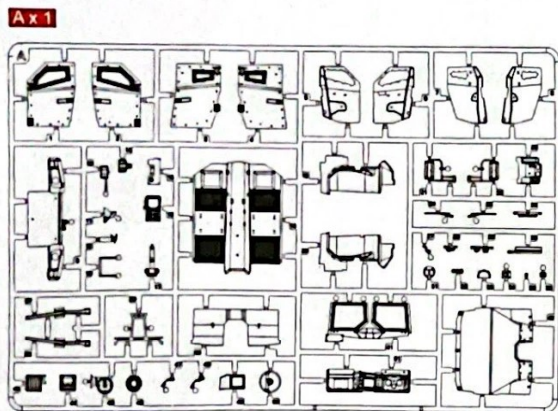


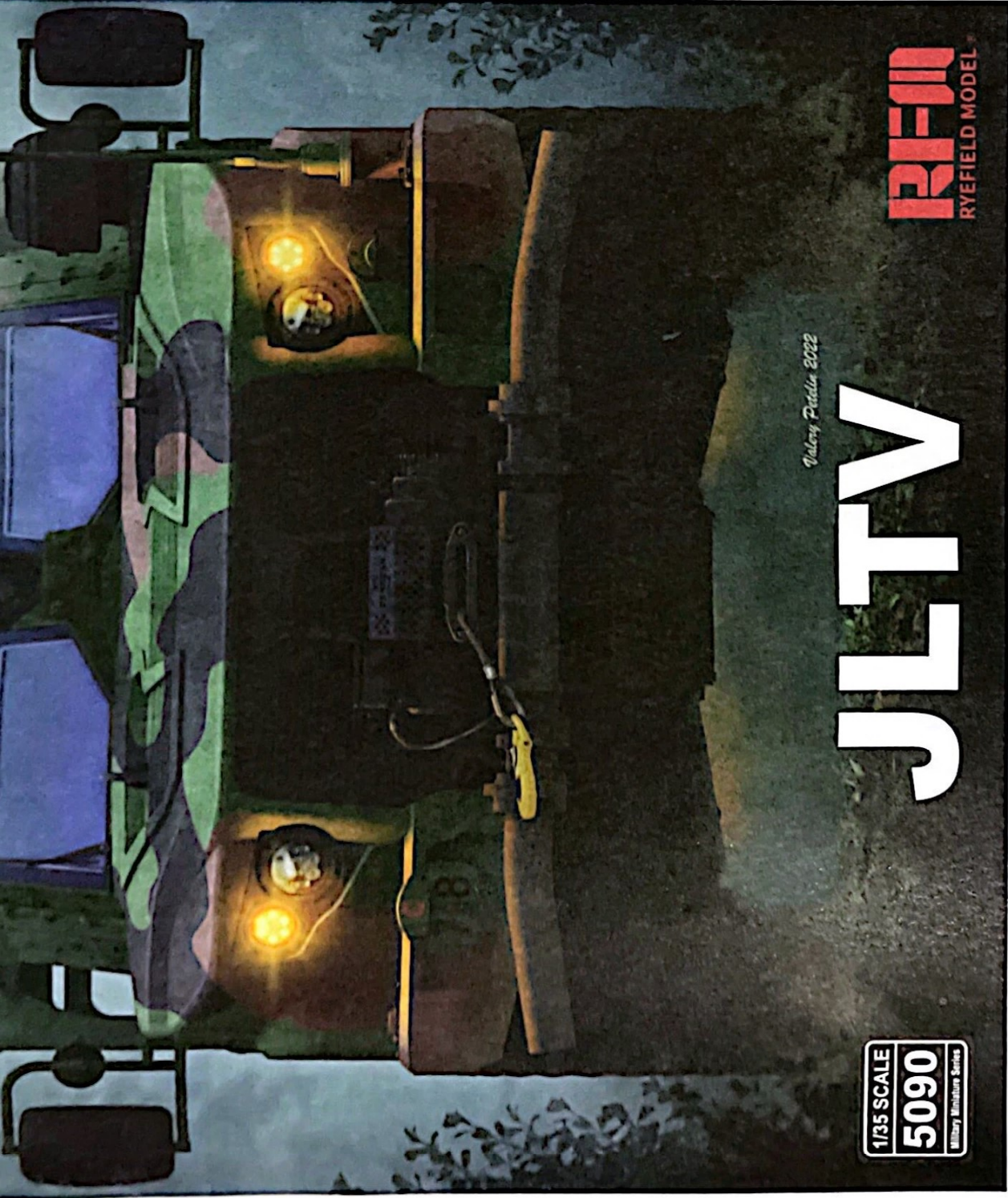
A3



A4







1/35 SCALE
5090
 Military Miniature Series

Valery Petelin 2022

JLTV

RFM
 RYEFIELD MODEL

ASSEMBLY ICONS

 OPTIONAL
 选择


 CEMENT
 膠水


 DO NOT CEMENT
 不使用膠水

 INSTANT CEMENT
 瞬間接著劑

 BEND
 彎折

 MAKE 2
 製作2組

 OPEN HOLE
 鑽孔

 REMOVE
 切除

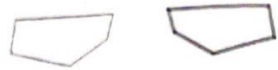
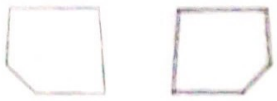
 BE CAREFUL
 注意

 APPLY DECAL
 貼上水貼紙

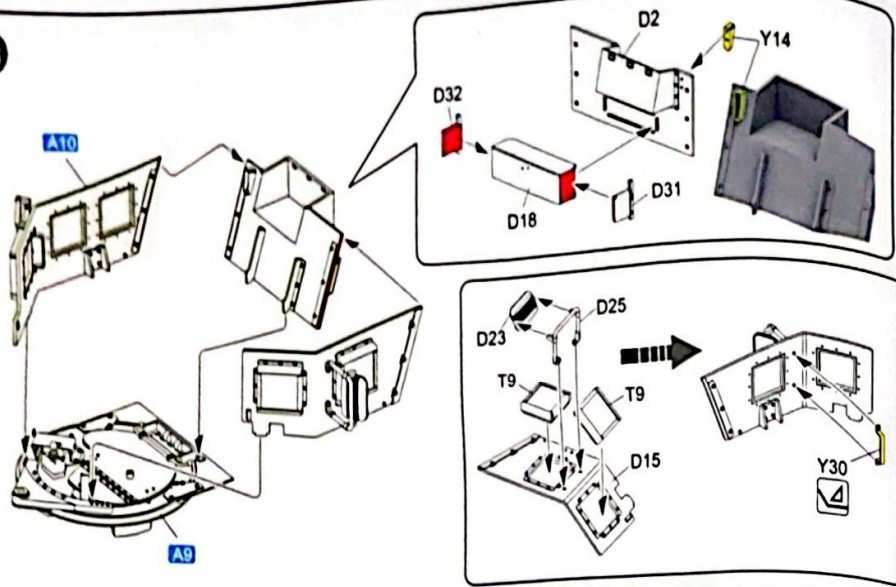
CAUTION!

Read carefully and fully understand the instructions before commencing assembly. Supervising adult should also read the instructions if a child assembles the model. When you used glue or paint, do not use near a naked flame, and use in a well-ventilated room. When assembling this kit, tools including knives are used. Extra care should be taken to avoid personal injury. Read and follow the instructions supplied with paints and/ or cement. Use plastic cement and paints only. Keep out of reach of small children. Children must not be allowed to suck any part, or pull vinyl bag over the head.

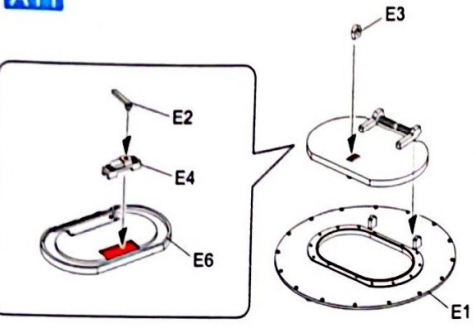
在裝配前仔細閱讀說明並完全理解。小孩裝配時需成人看護且需仔細閱讀說明。使用膠水和油漆時，應遠離火源並打開窗戶保持空氣流通。製作時請格外注意工具刀和零件的鋒利尖銳部分，避免對身體造成傷害。在使用膠水和油漆前仔細閱讀注意事項，按照說明正確使用膠水和油漆。



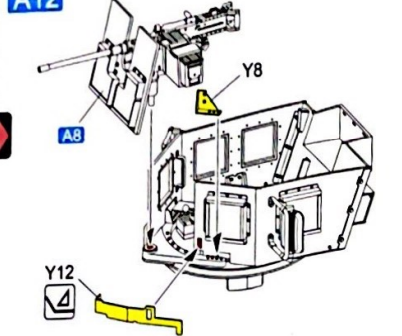
23



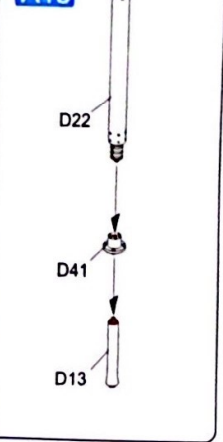
A11



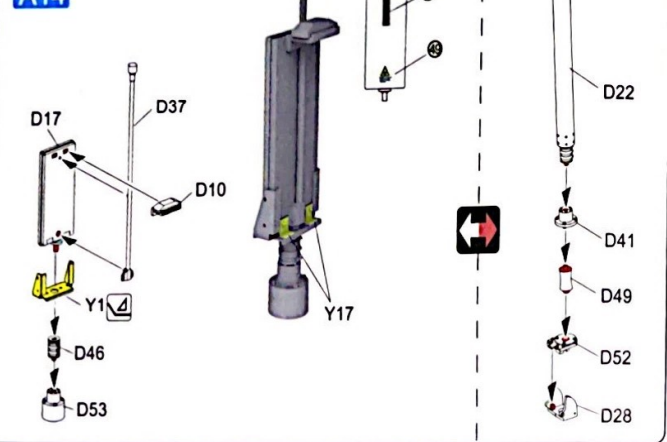
A12



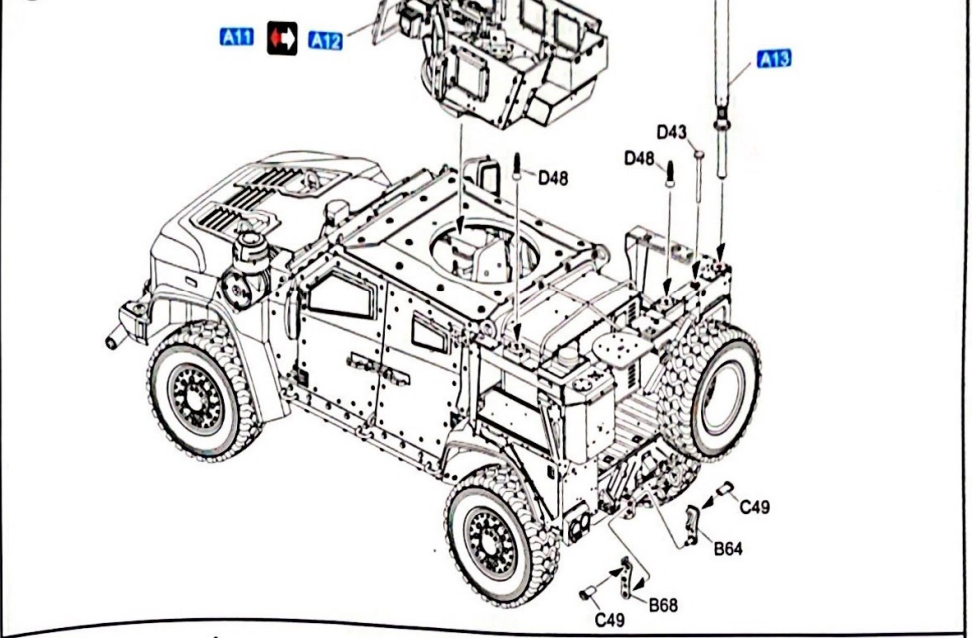
A13



A14



24



25

