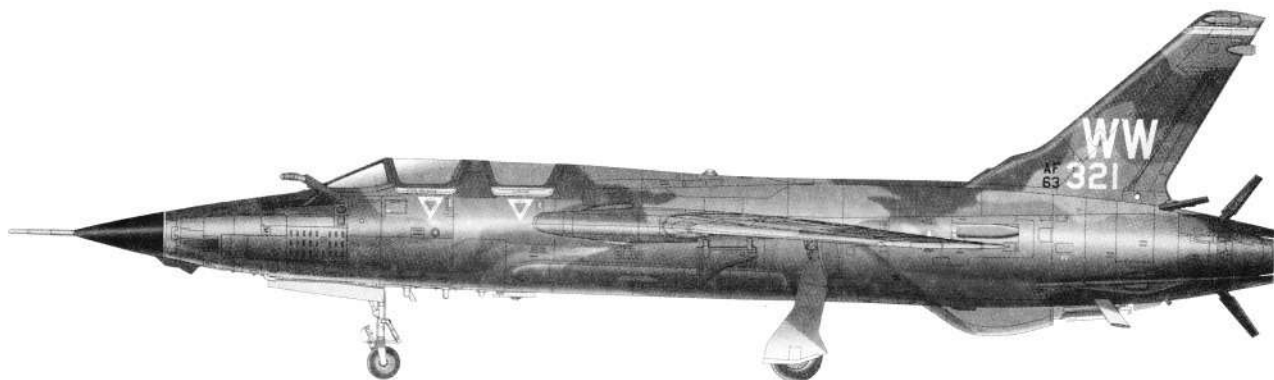


F-105G WILD WEASEL

F-105G 野鼬鼠



READ BEFORE ASSEMBLY:

- This kit is not recommended for inexperienced modelers or for children under 14 years of age
- Study and understand these instructions thoroughly before beginning assembly
- When needed, remove photo-etch parts carefully using a modeling knife or photo etch sprue cutter, being careful not to damage or lose small parts.
- Take extra care in handling photo etch parts in order to avoid injury
- Apply instant cement sparingly to photo etch parts where instructed
- Tools recommended(not included in kit):Plastic and instant cements, sprue cutters,long nose pliers,,modeling knife, small files, tweezers, pin vise & scissors. Soft cloth and sandpaper will also assist in construction
- Glue and paint are not included in the kit. Use plastic cement and hobby paints only. Color guide for purchasing paint is included in the kit.
- Keep out of reach of children. They must not be allowed to ingest small parts or handle plastic bags in any way.

装配之前仔细阅读

- 小心用模型锉刀锉平所有零件表面的注射浇口。
- 小心用刀片切下蚀刻片零件，不要遗失小零件。
- 用强力快干胶水粘合蚀刻片零件和金属轴。过量快干胶水使用可能导致可动零件会粘住，小心涂胶。
- 取蚀刻片时应特别注意安全，防止利边划伤手指。
- 某些零件表面需贴上水贴纸，请选择在装配的同时进行。
- 推荐模型工具(自备)：胶水，水口剪刀，长咀钳，刀片，锉刀，镊子，钳，钻，剪刀，瞬间快干胶。
- 软布同砂纸同时也应该是必备工具。
- 请使用塑料胶水和油漆，模型内不含。
- 谨防小孩吸吮塑料零件，或者将塑料袋套在头上，制作时应将套材远离小孩接触。
- 本产品不适合14岁以下没有经验的模型爱好者。



Cyanoacrylate glue
使用强力胶



Weight
配重



Make hole
钻孔



Cut /Remove
切除



Bend
弯曲



File / Sand
锉平



Option
选择



No cement
不涂胶水



Decal
贴纸

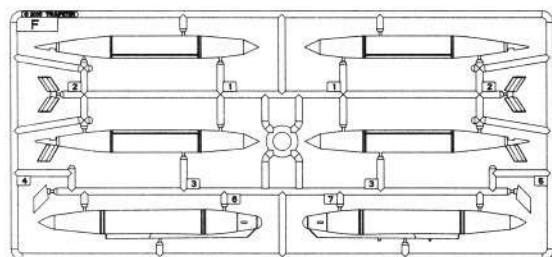
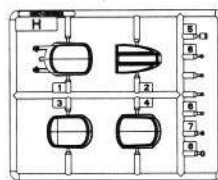
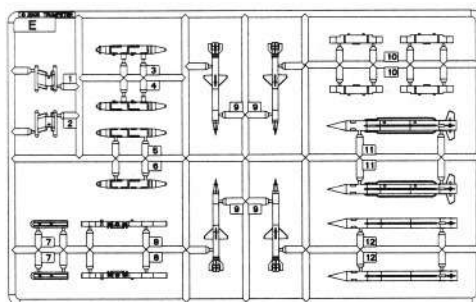
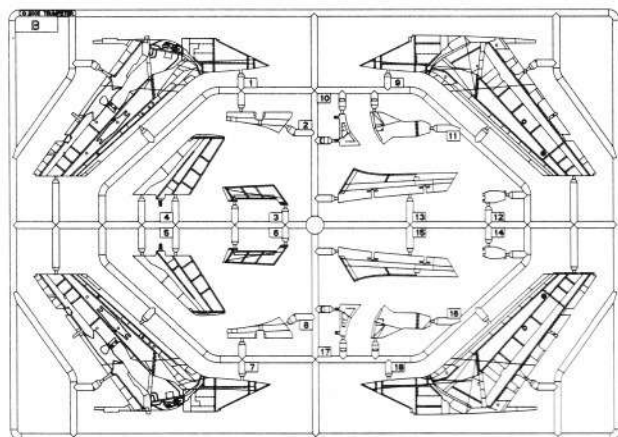
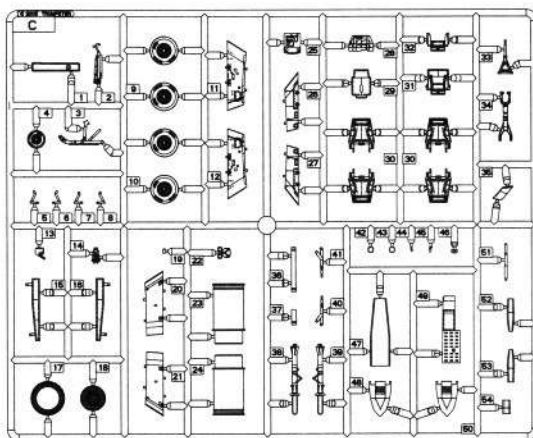
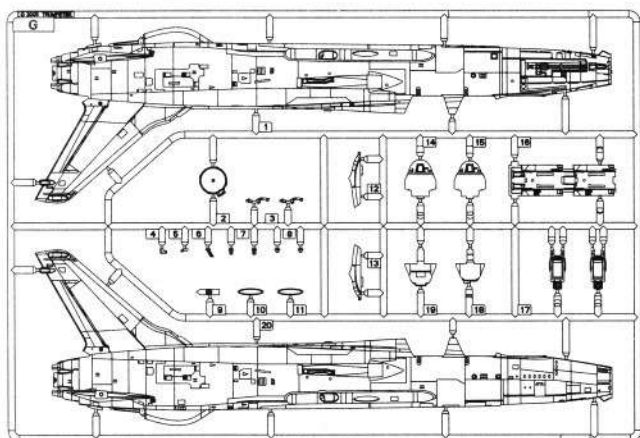
水贴纸的使用:

1. 从水贴纸上剪下印花;
2. 将印花放入温水中浸10秒，然后放在干净布上。
3. 拿着印花纸板将印花移到模型上;
4. 手指蘸水将印花移到适当的位置;
5. 用软布轻压印花直至水干，气泡消失。

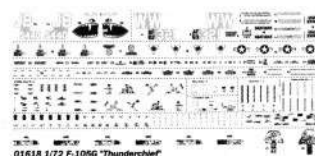
DECAL APPLICATION

1. Cut off decal from sheet.
2. Dip the decal in tepid water 40°C for about 10 sec. and place on a clean cloth.
3. Hold the backing sheet edge and slide decal onto the model.
4. Move decal into position by wetting decal with finger.
5. Press decal gently down with a soft cloth until excess water and air bubbles are gone.

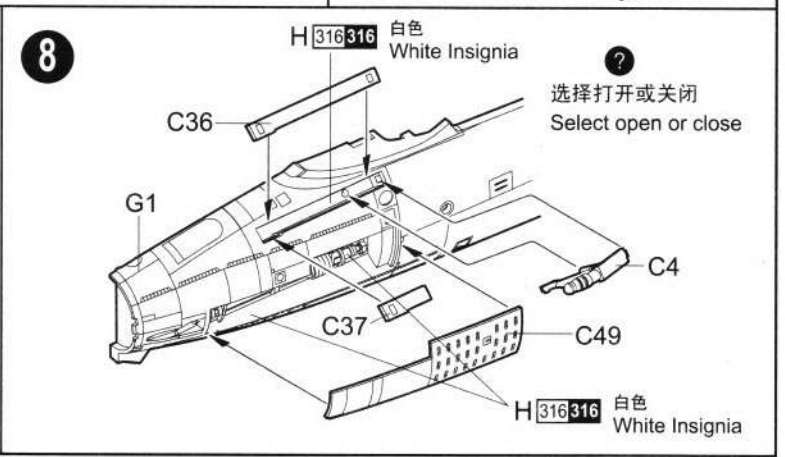
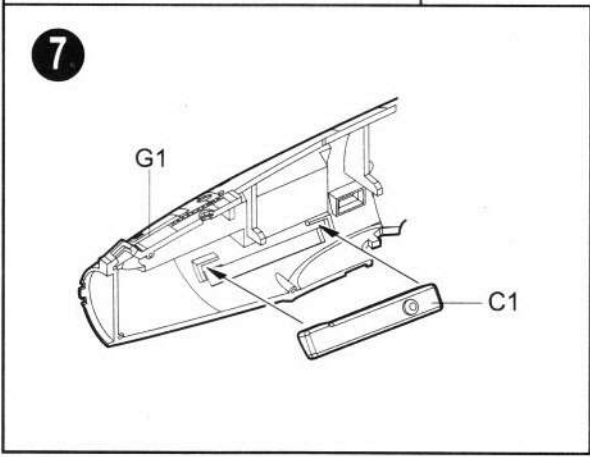
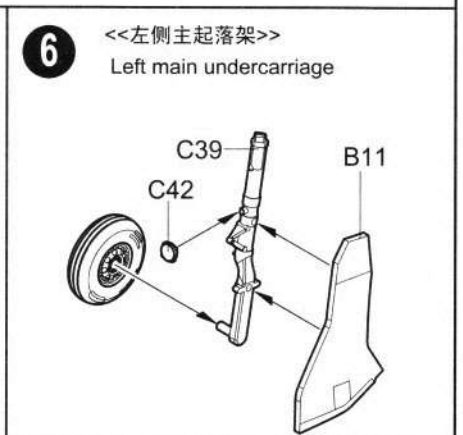
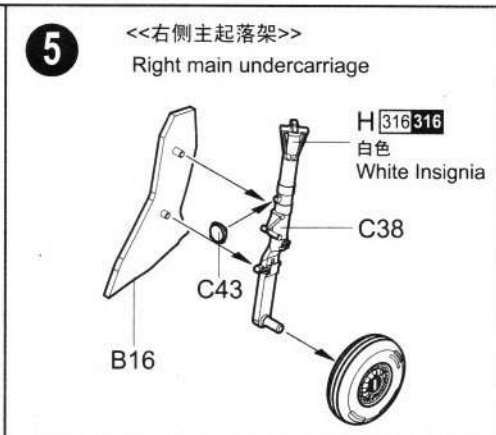
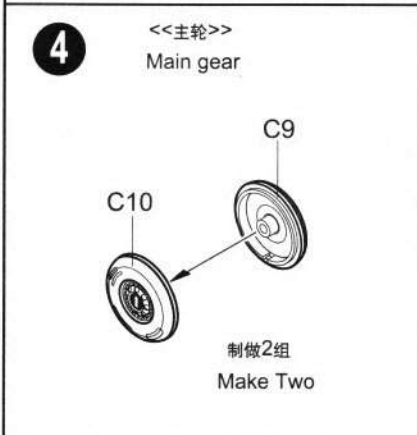
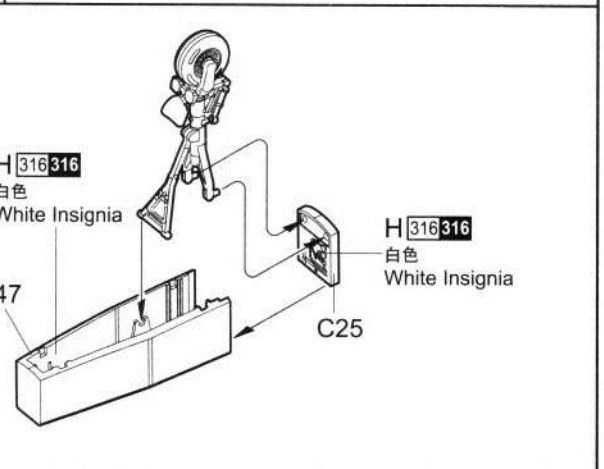
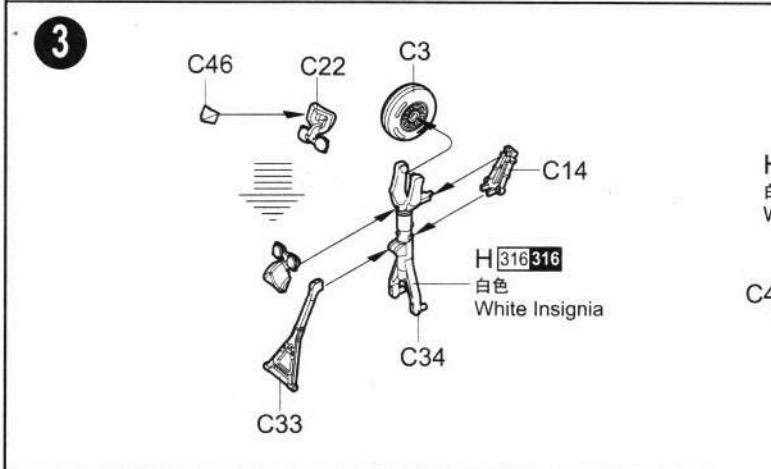
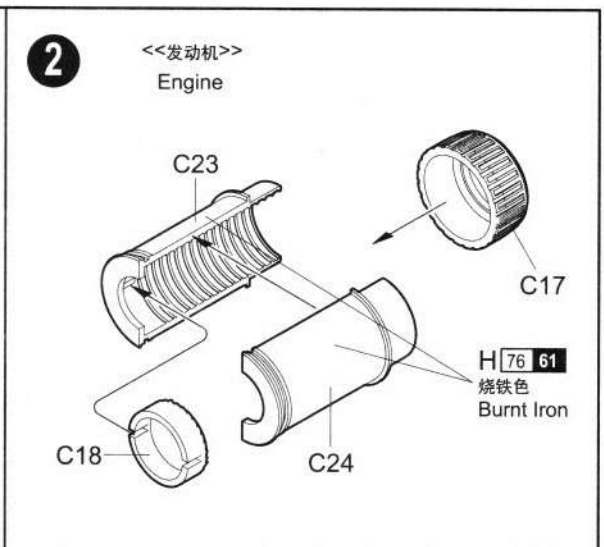
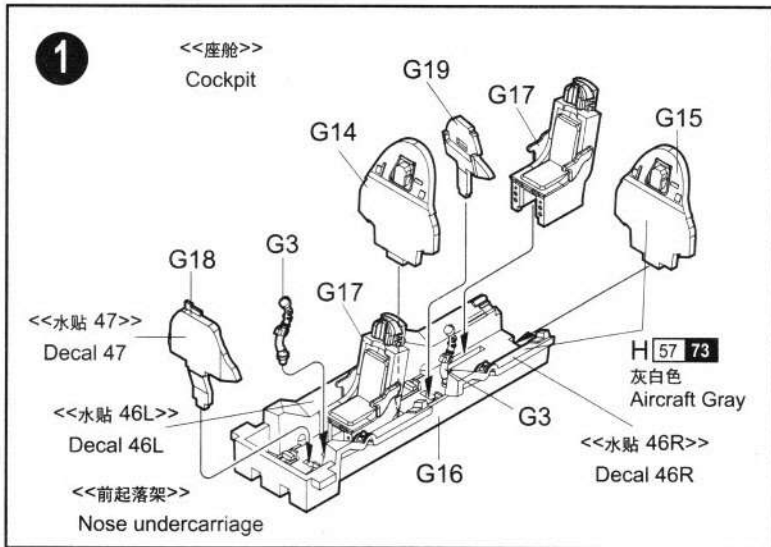
部品图 Parts



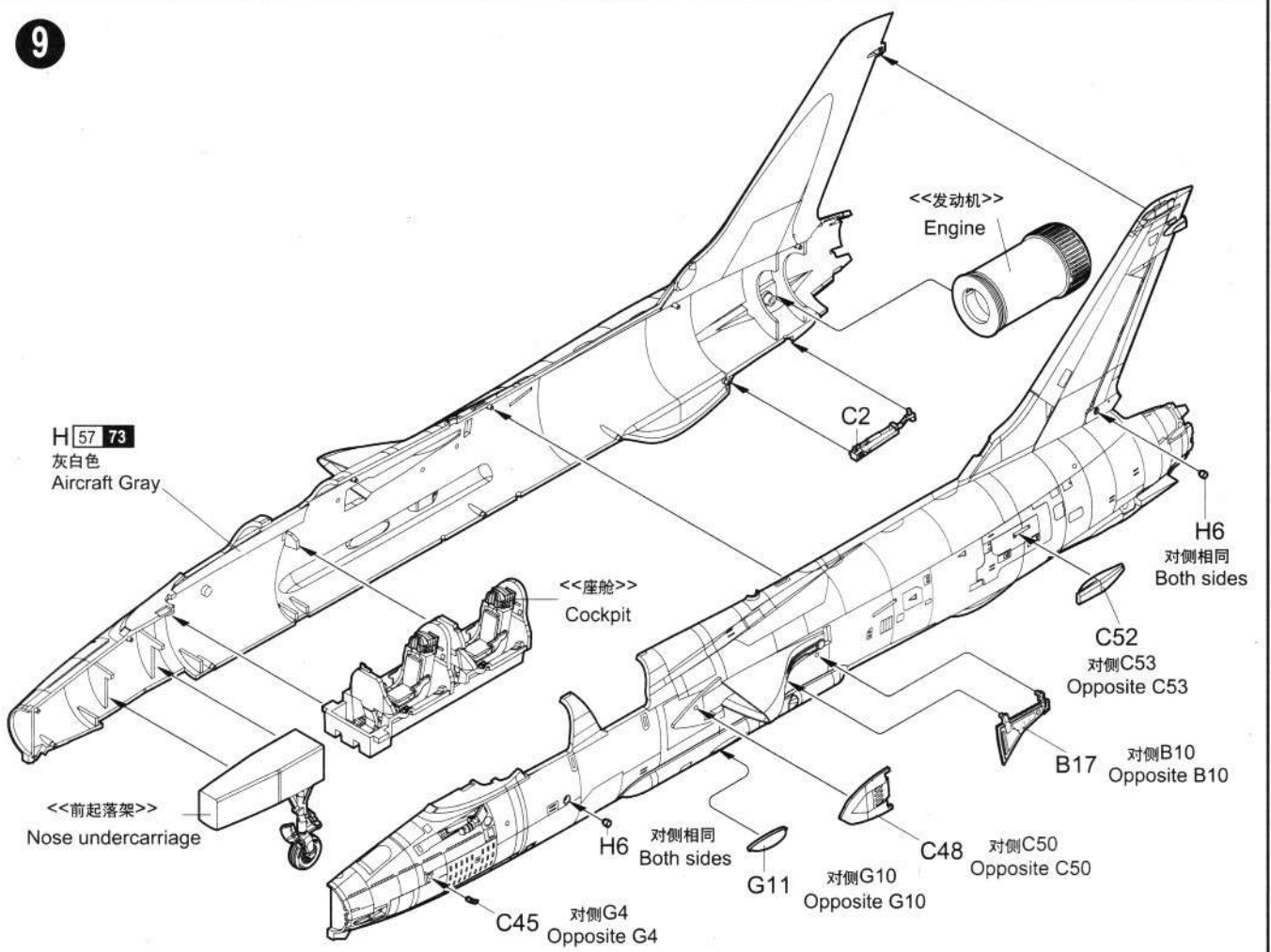
<<水貼>>
Decal



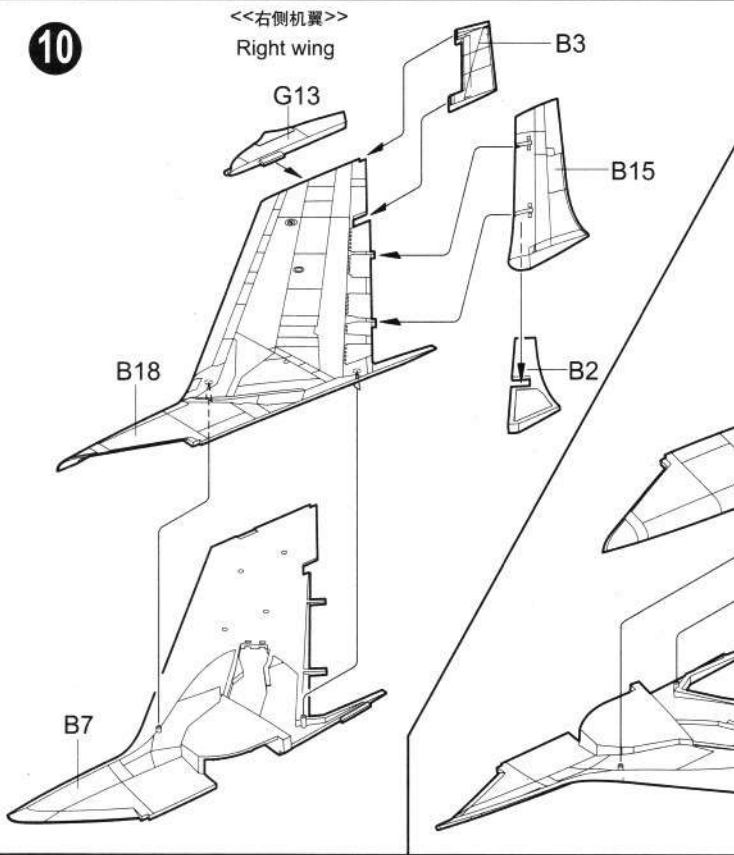
不用的部件: H1、H7。
Unused parts: H1、H7.



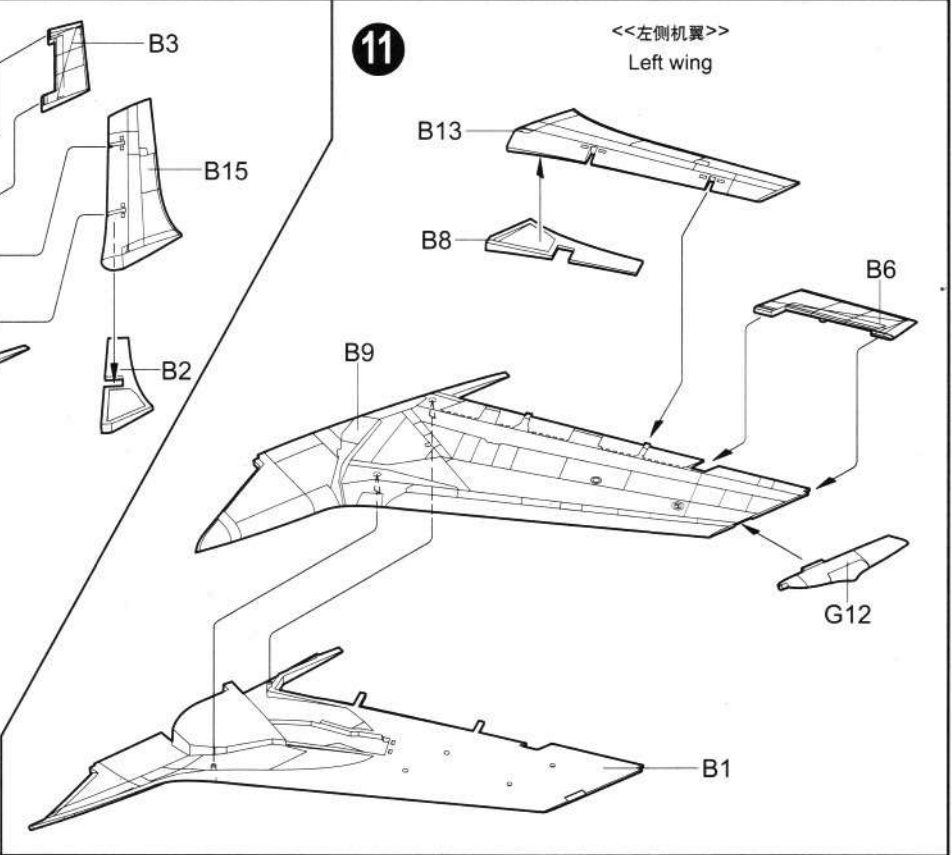
9



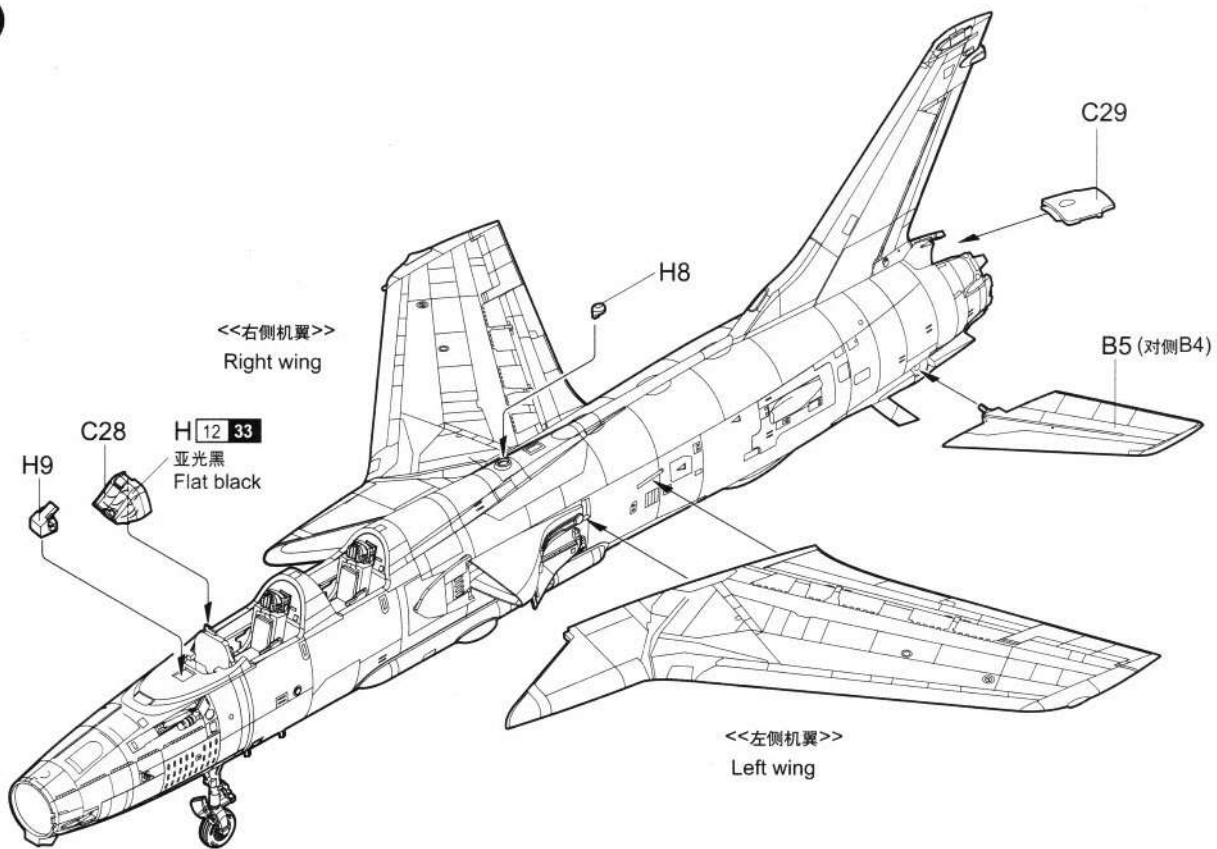
10



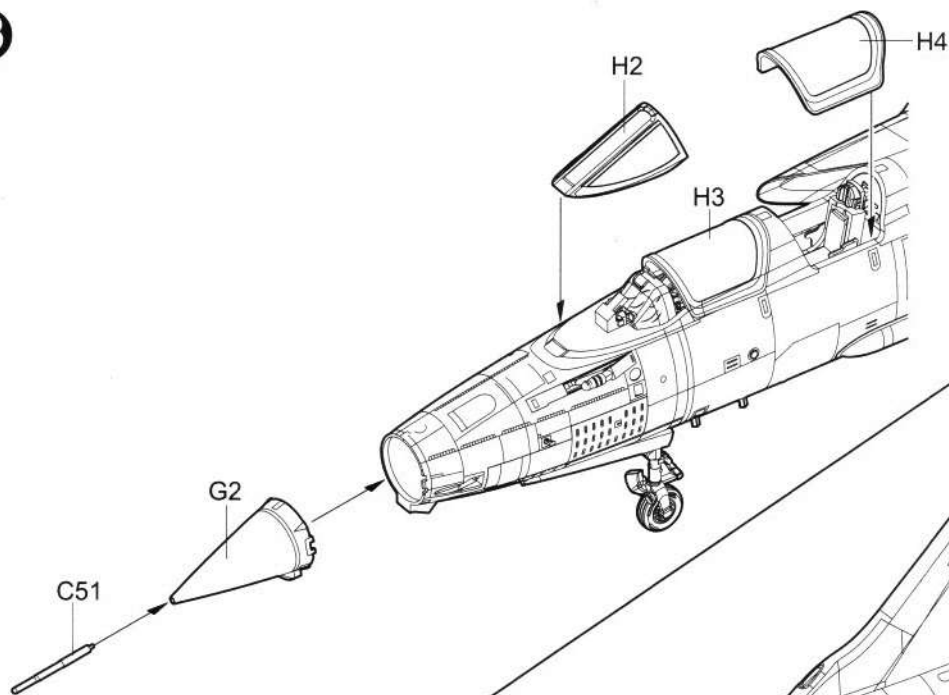
11



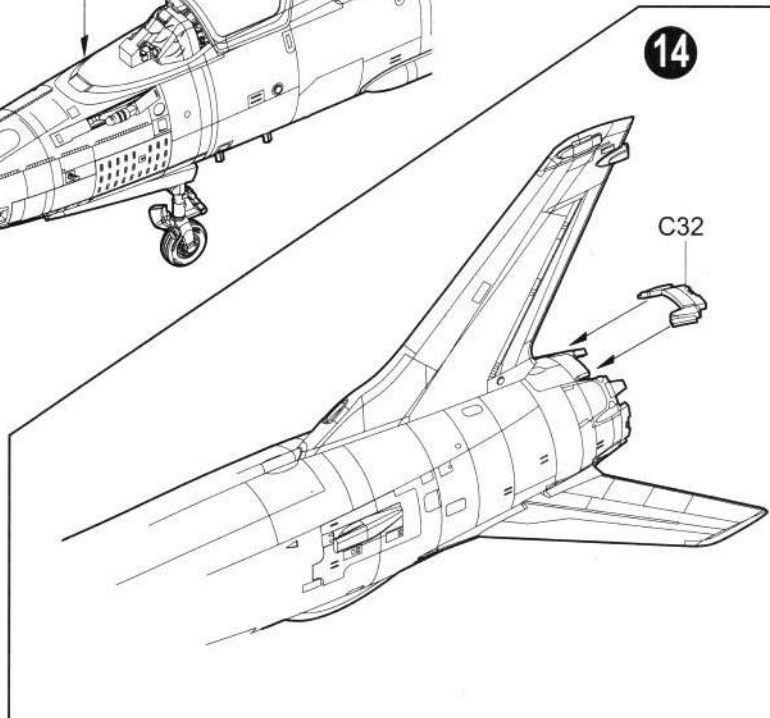
12



13

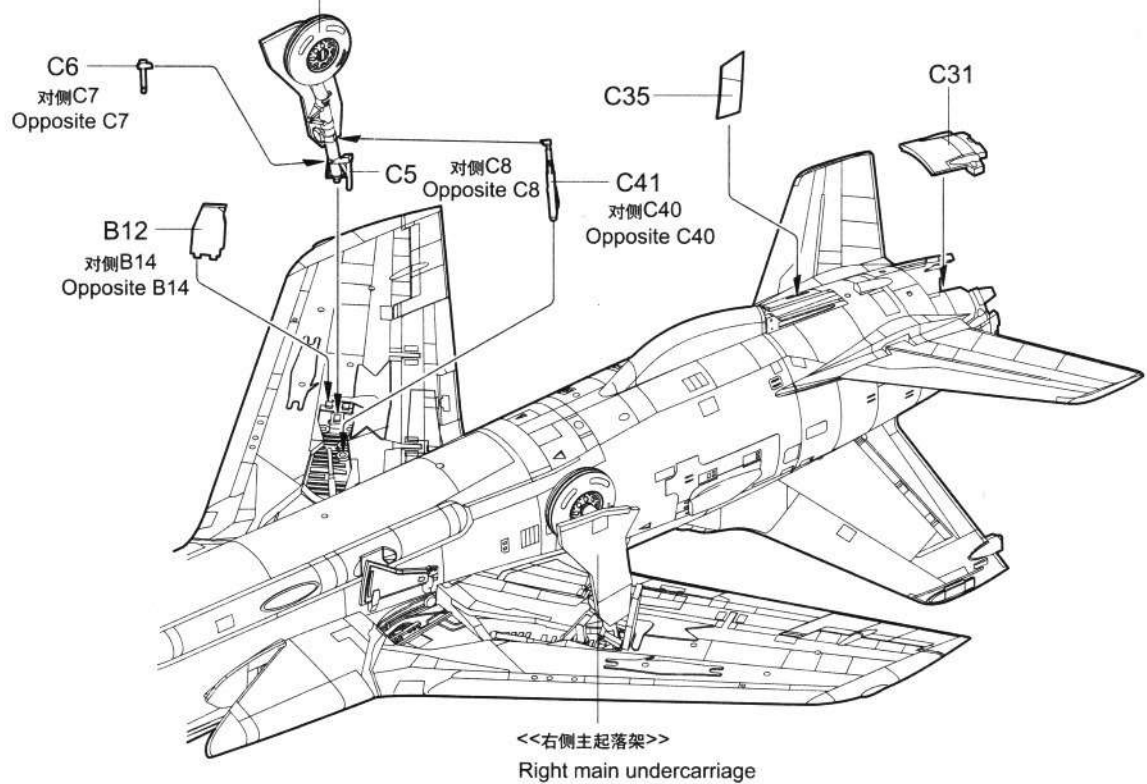


14

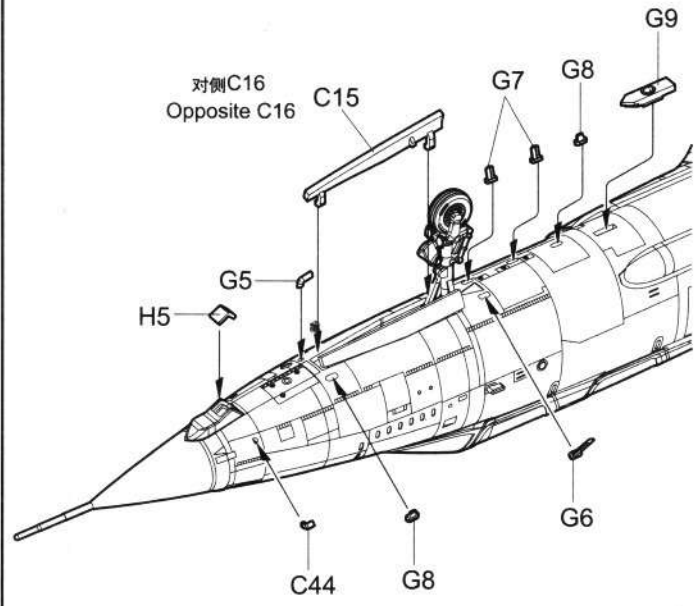


15

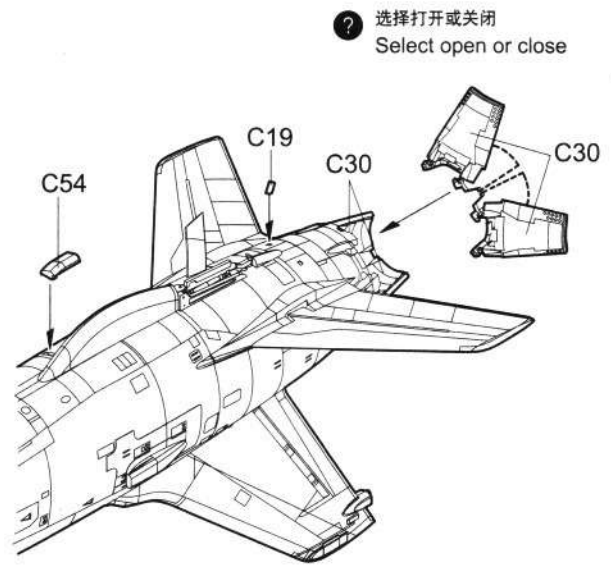
<<左侧主起落架>>
Left main undercarriage



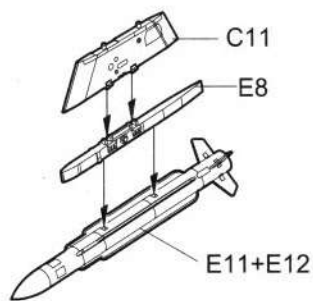
16



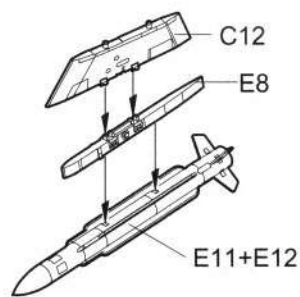
17



18

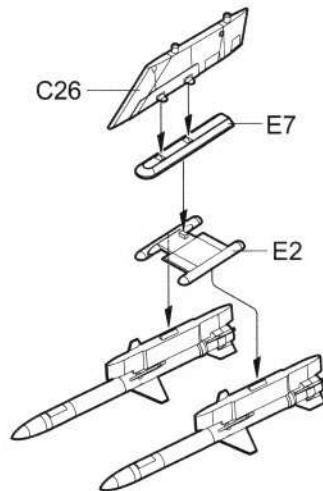
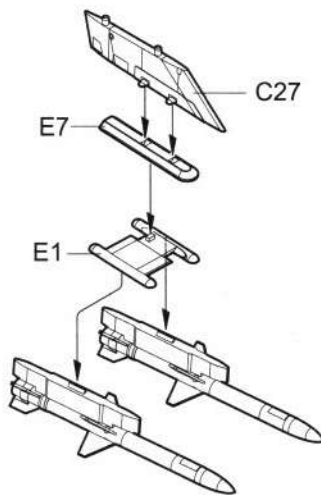
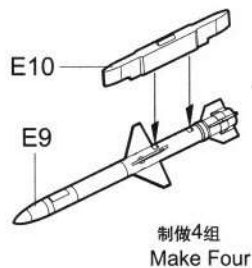


AGM-78



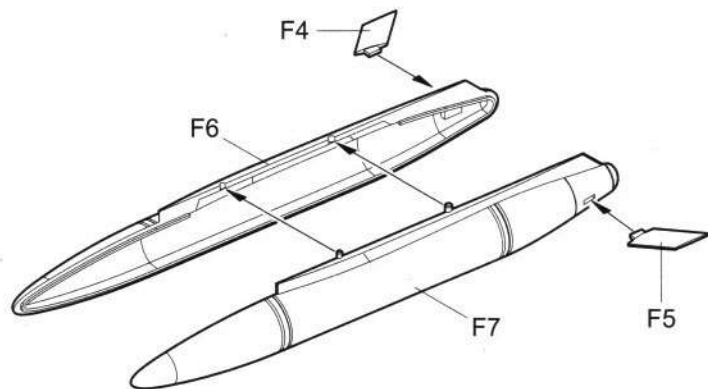
19

AGM-45



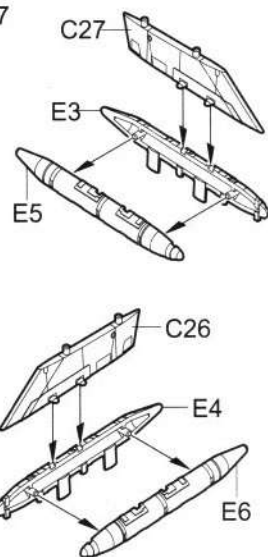
20

<<中心副油箱>>
Centerline fuel tank



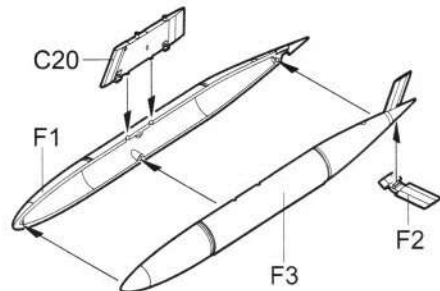
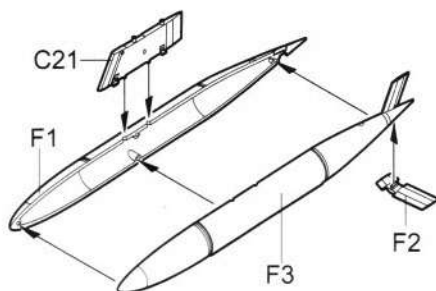
21

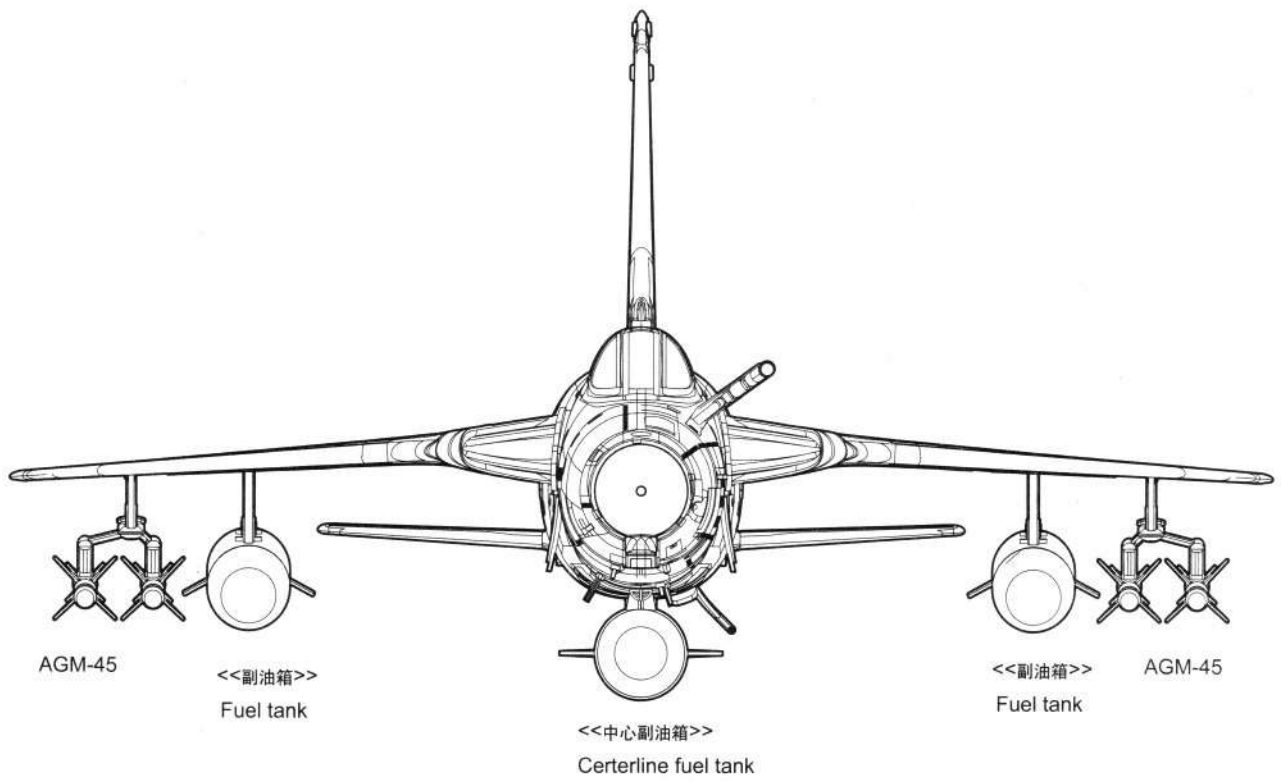
ALQ-87



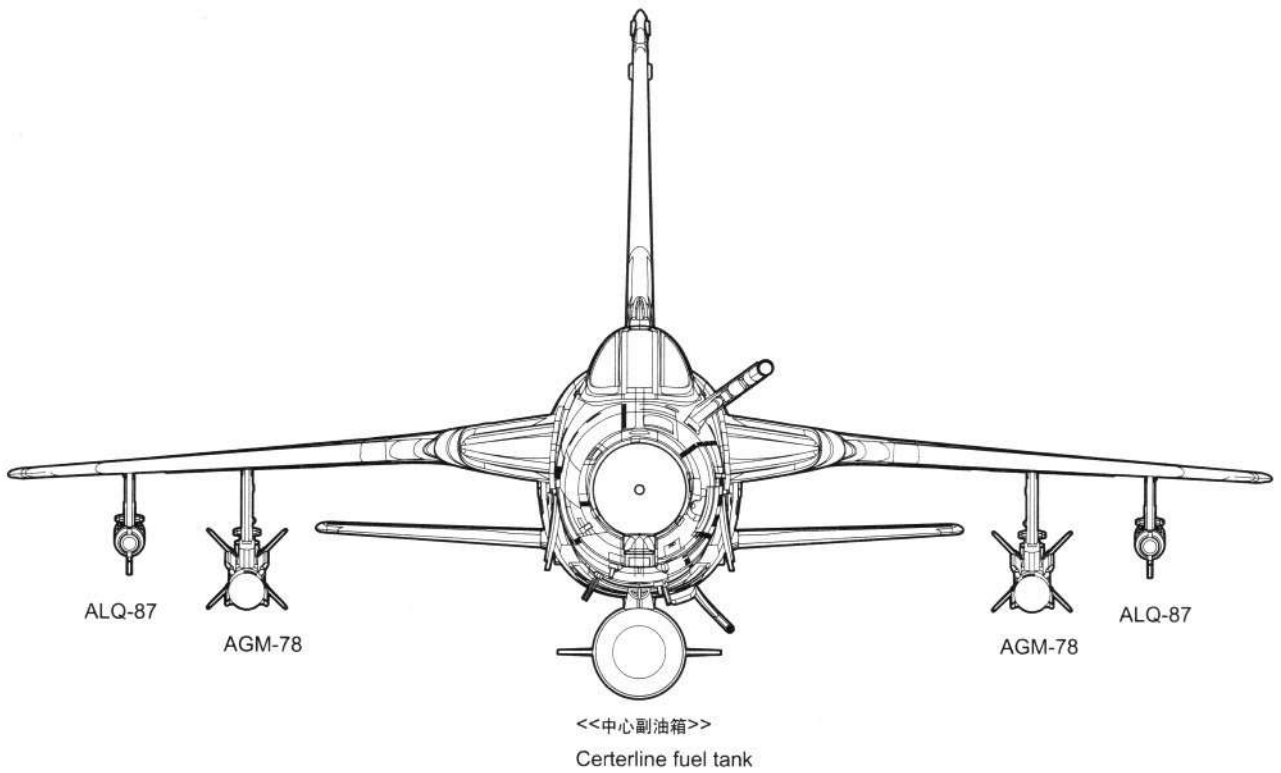
22

<<副油箱>>
Fuel tank





②
选择
Option

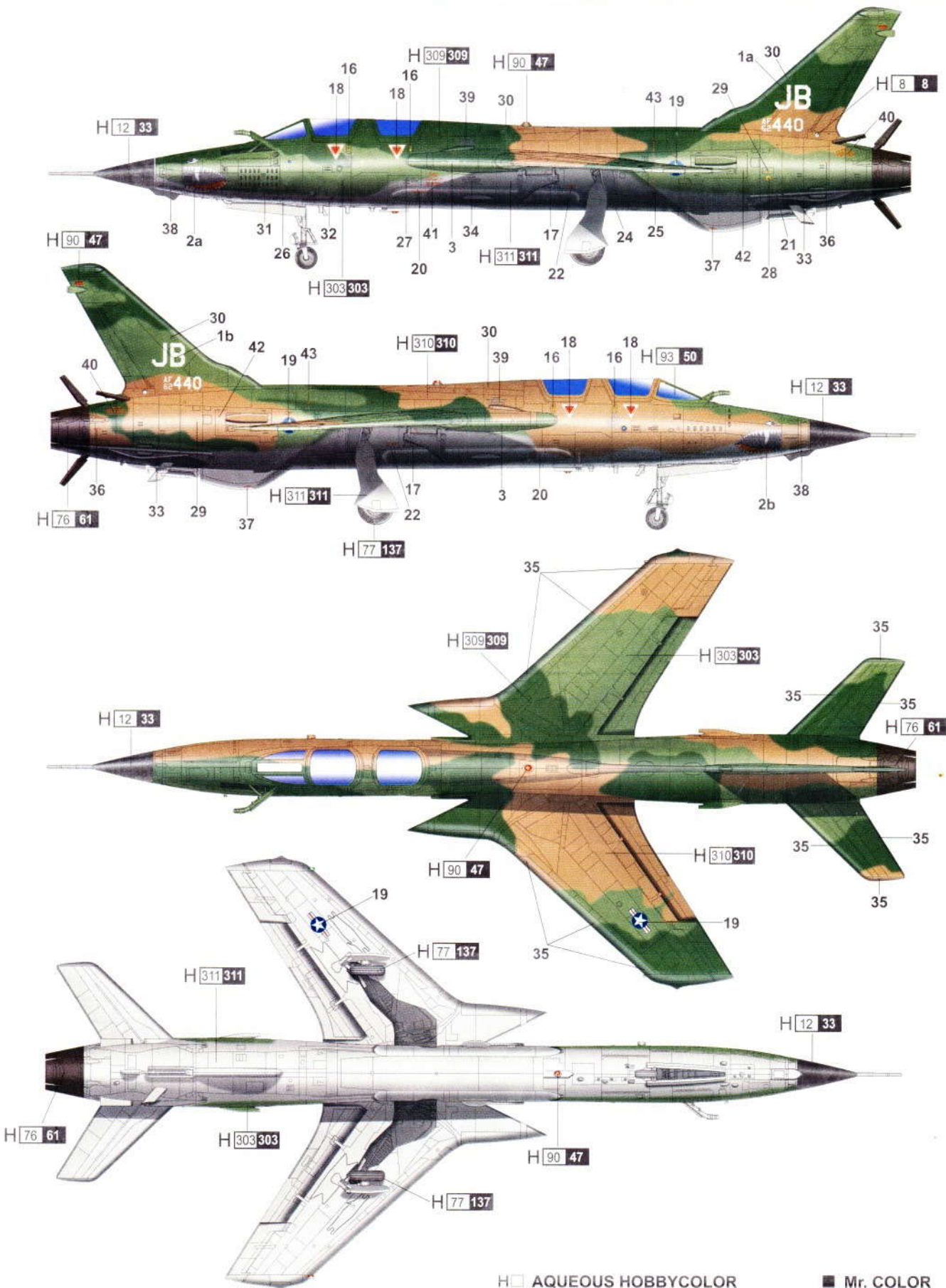


涂装同标贴指示
Painting & Marking guide

使用 MR.HOBBY 涂料 Mr. Color Used

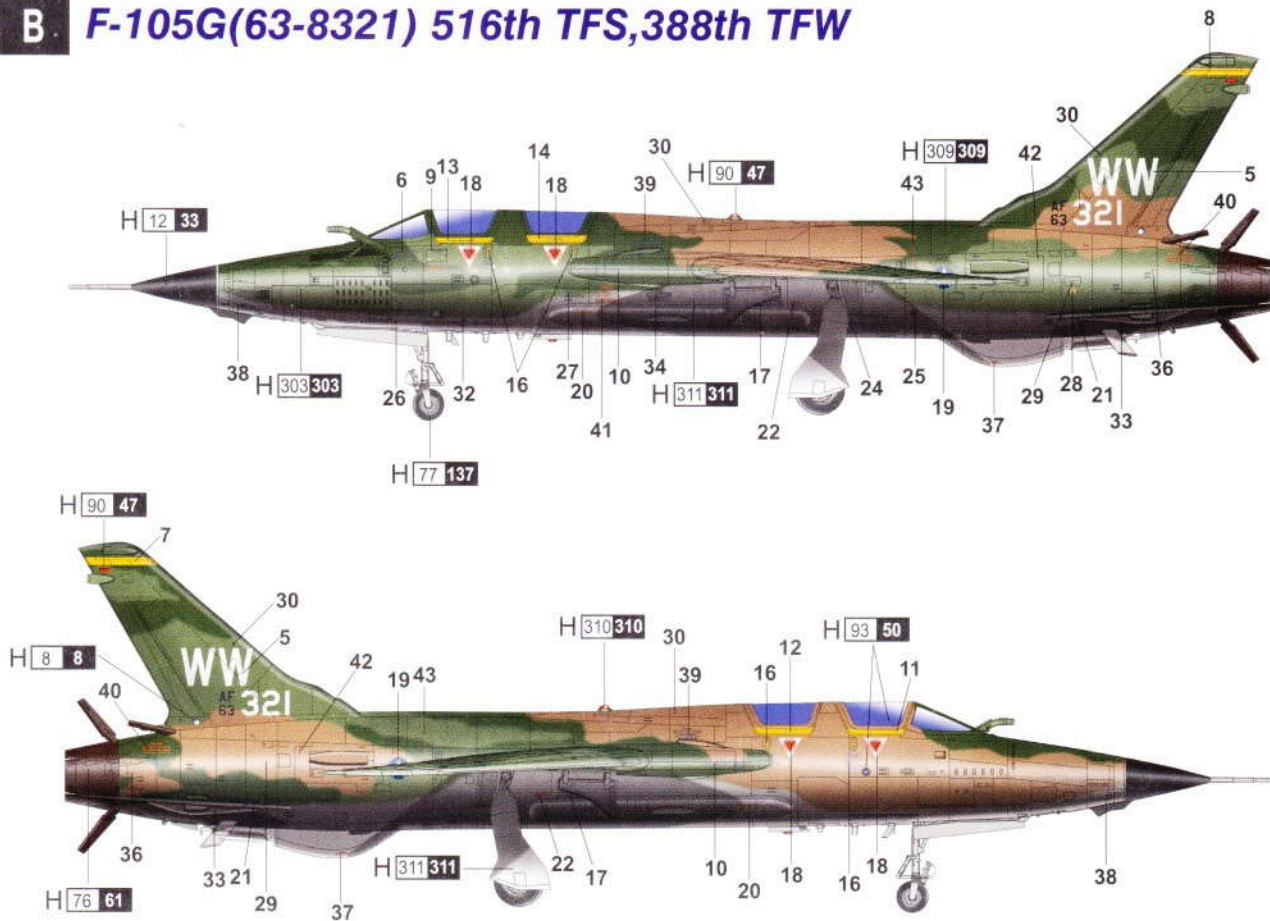
Gunze					
H 94	透明绿 Clear Green	H 93 50	透明蓝 Clear Blue	H 309 309	绿色 Forest Green
H 8 8	银色 Silver	H 76 61	烧铁色 Burnt Iron	H 310 310	棕色 Brown
H 12 33	亚光黑 Flat black	H 77 137	胎黑色 Tire Black	H 311 311	灰色 Grey
H 90 47	透明红 Clear Red	H 303 303	绿色 Light Green		

A F-105G(62-4440) 17th
WWS, 388th TFW



□ AQUEOUS HOBBYCOLOR ■ Mr. COLOR

B F-105G(63-8321) 516th TFS,388th TFW

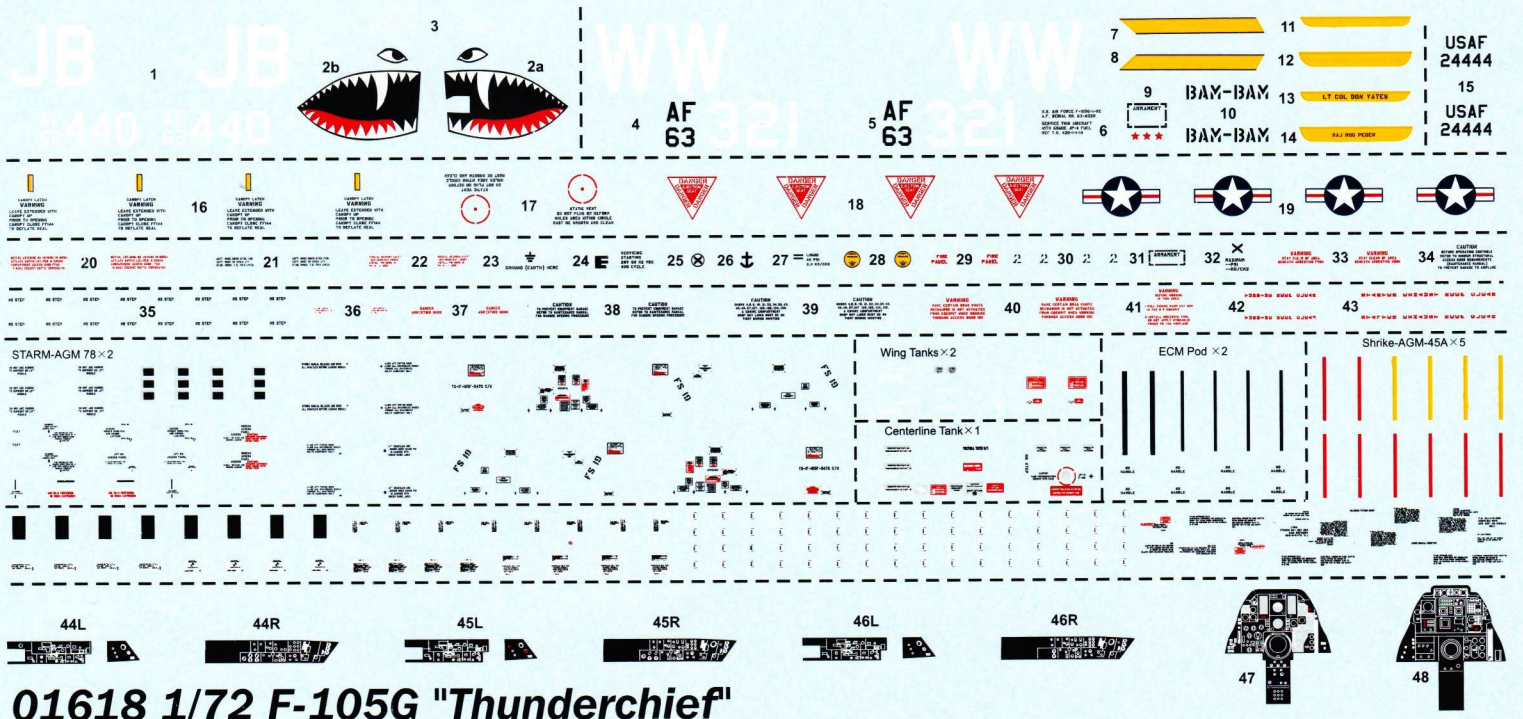


C F-105G(62-4444) 128th TFS



H AQUEOUS HOBBYCOLOR Mr. COLOR

使用 MR.HOBBY 涂料
Mr. Color Used



01618 1/72 F-105G "Thunderchief"