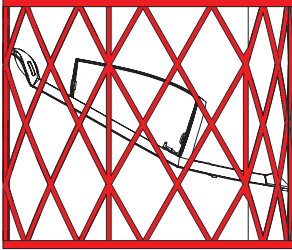
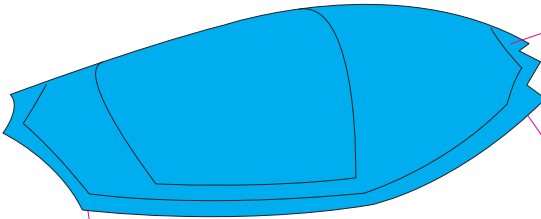
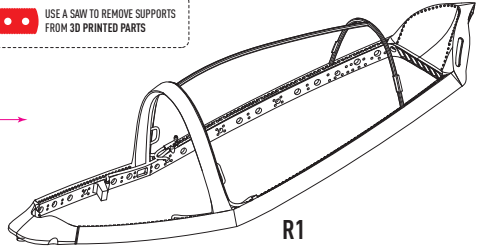


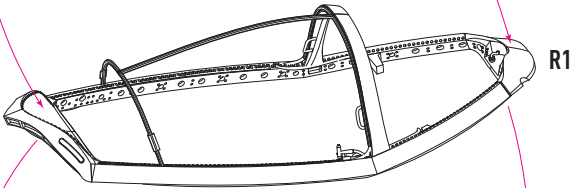
REMOVE PROTECTIVE COVER



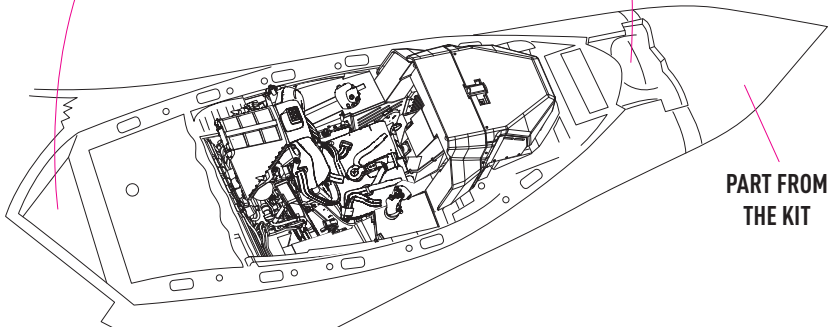
USE A SAW TO REMOVE SUPPORTS
FROM 3D PRINTED PARTS



PART FROM
THE KIT



R1



PART FROM
THE KIT