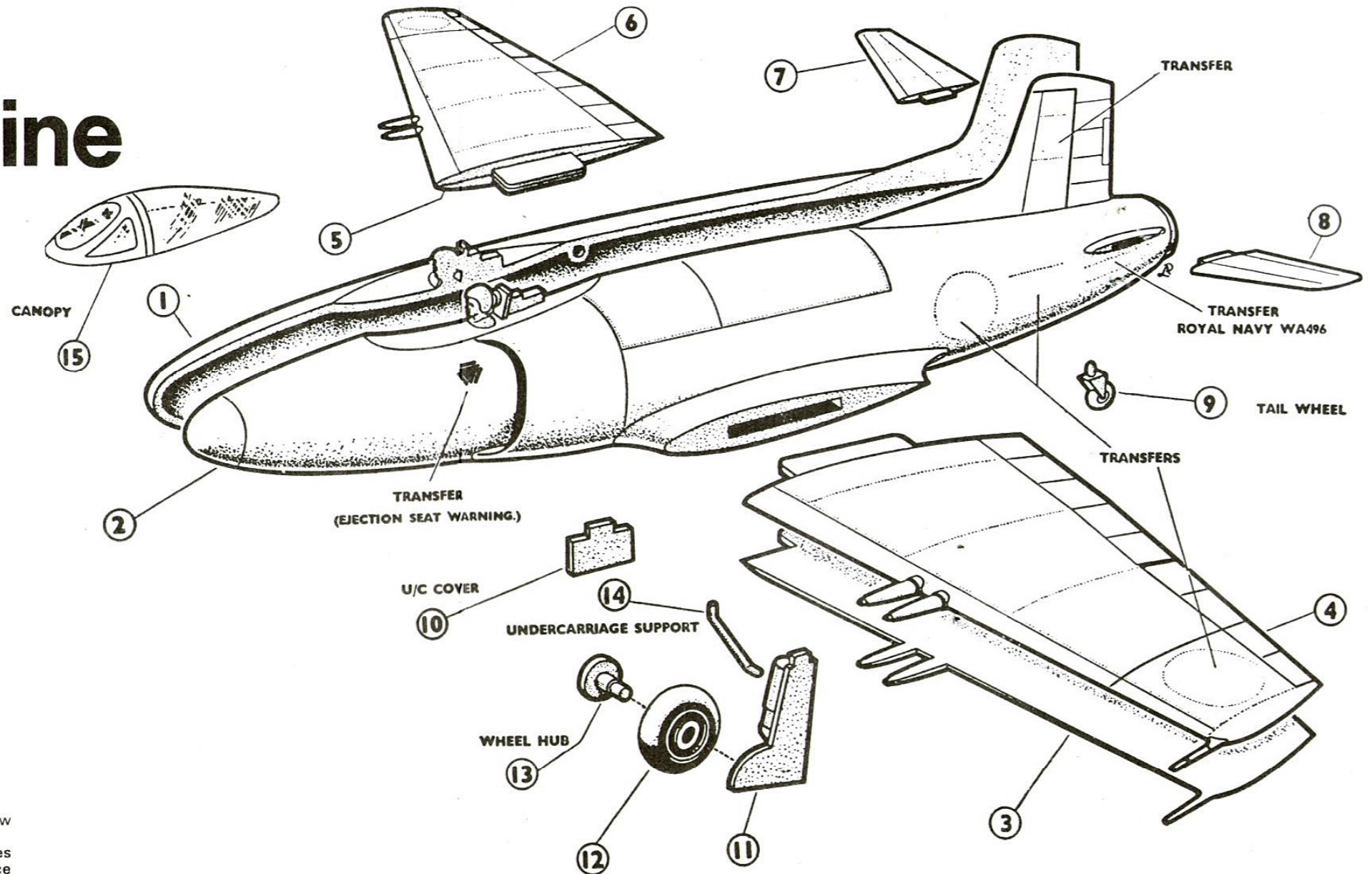


Vickers Supermarine Attacker



INSTRUCTIONS

It is recommended that the instructions and exploded view are studied and assembly practised before commencing. Great care should be taken on handling the capsules of cement to avoid getting the adhesive on the face or clothing and, in particular, in the eyes.

ASSEMBLY INSTRUCTIONS

1. Apply cement to the edges of the fuselage halves (1) and (2) and press these together, using elastic bands to hold them firmly until they are set. Carefully clean off any surplus cement with a knife, which may have squeezed out.
2. Next cement Port wing halves (3) and (4), and Starboard wing halves (5) and (6) together, then mount them in their respective slots in the fuselage.
3. Cement tailplane halves (7) and (8) into the slots in the

fuselage; these should be set with a dihedral angle.

4. Cement tail wheel (9) in place.

5. Cement undercarriage covers (10) into their slots under the wing-roots.

6. Next take main undercarriage legs (11) and slide the wheels (12) on to wheel hubs (13) and cement them to the legs; then cement undercarriage supports (14) on to legs and attach the whole assembly into slots under the wings.

7. Before fixing the canopy (15) into place, the pilot should

be painted; the uniform is light grey/blue with white helmet, and the base light green or black. Finally cement the canopy on.

PAINTING AND FINISHING

8. The model can be left the natural silver finish, with details such as tyres and cabin touched in with black paint, or it can be painted in Fleet Air Arm colouring which is dark sea grey or dark green on the upper surfaces, and white or sky blue on all lower surfaces and fin. If the model is supplied moulded in one of the above colours it is only necessary then to paint in the other colour as shown

in the illustration.

Use good quality synthetic or oil-bound enamels, and apply one or two coats evenly with a soft brush. Cellulose paints attack the surface of Polystyrene and leave a slightly cracked finish.

9. Affix the transfers in place, following the instructions on the back. Separate each part first, and apply the large letters and numbers to the underside of the wing.

10. The insignia lettering supplied with this model represents that used by the Attackers of No. 800 Sqdn., Royal Navy, when attached to the aircraft carrier Eagle.