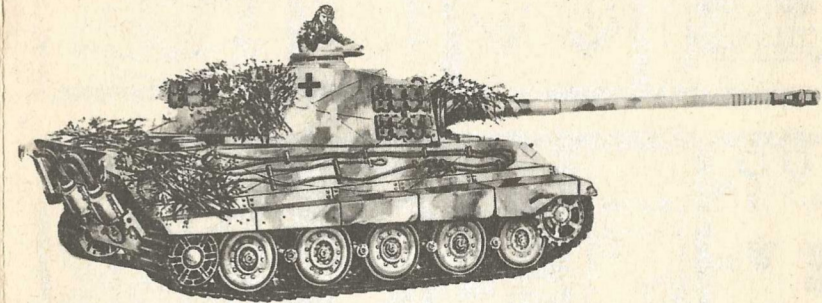


German Tank Pz. Kpfw. VI KING TIGER

1/72 SCALE



KIT 8008

SPECIFICATION

GENERAL

CREW: 5.
BATTLE WEIGHT: 75 TONS.
GROUND PRESSURE: 13.7 LBS/SQ. IN.

DIMENSIONS

LENGTH: 23.8 FT.
HEIGHT: 10.2 FT.
WIDTH: 12.2 FT.
WIDTH OF TRACK: 32 IN.
GROUND CLEARANCE: 19.3 IN.

ARMAMENT

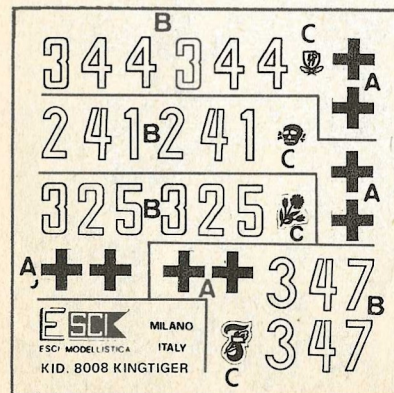
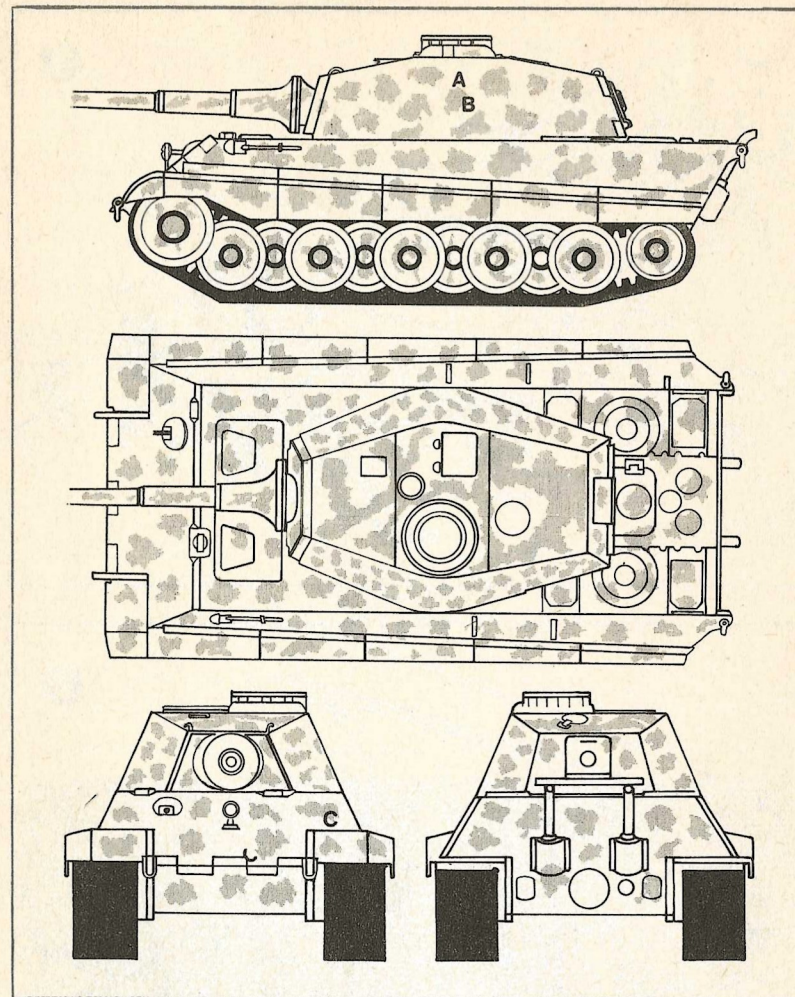
ONE 8.8 CM. KWK 43, CALIBER LENGTH 71.
TWO 7.9 MM. MG. 34 (COAXIAL AND AA).

ENGINE

HL 230 P 30 MAYBACH, 700 HP AT 3,000 RPM, 12 CYLINDERS IN V-BLOCK, GASOLINE, LIQUID - COOLED, COMPRESSION RATIO: 6.8 : 1.

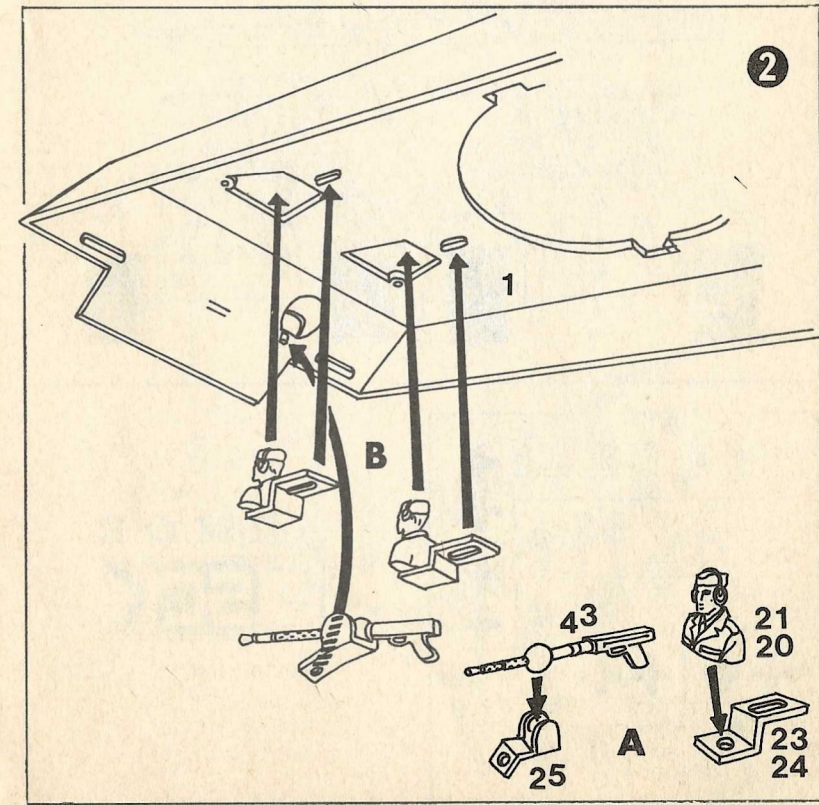
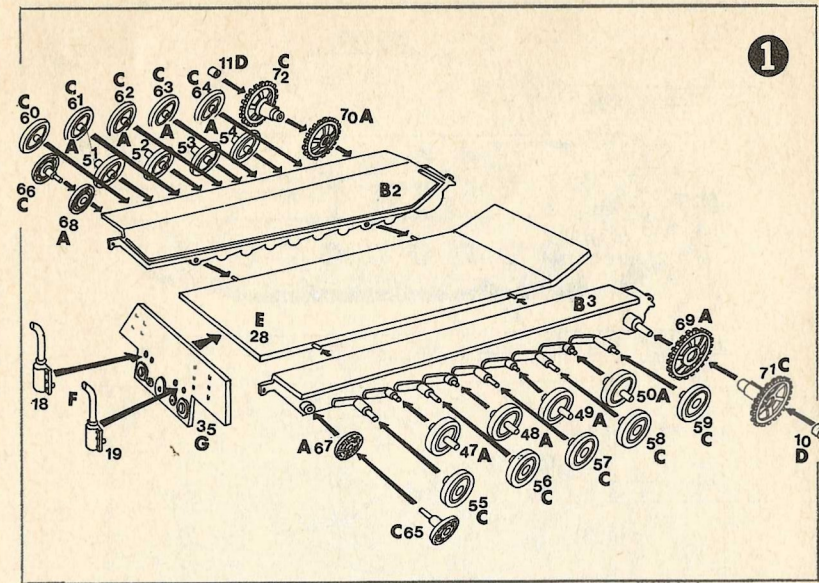
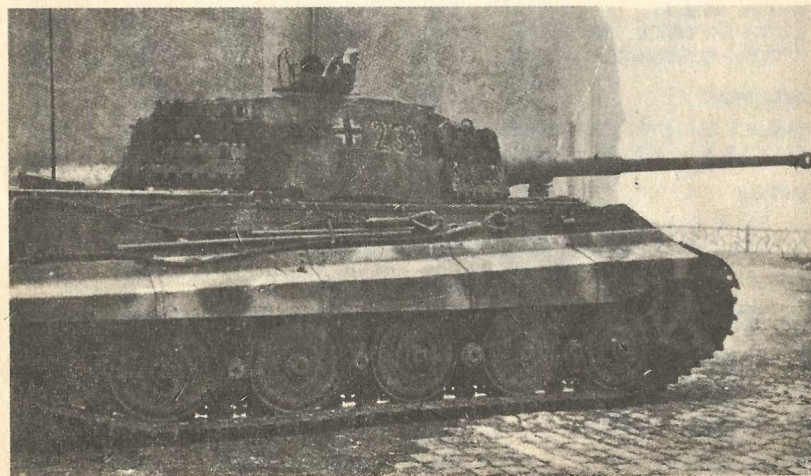
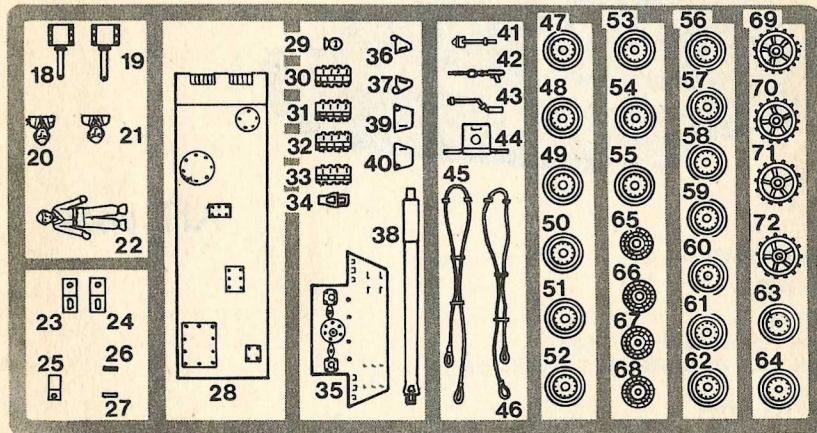
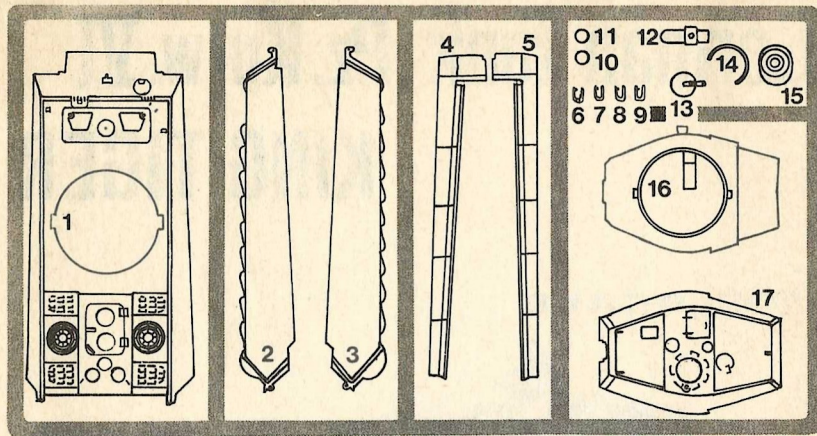
PERFORMANCE

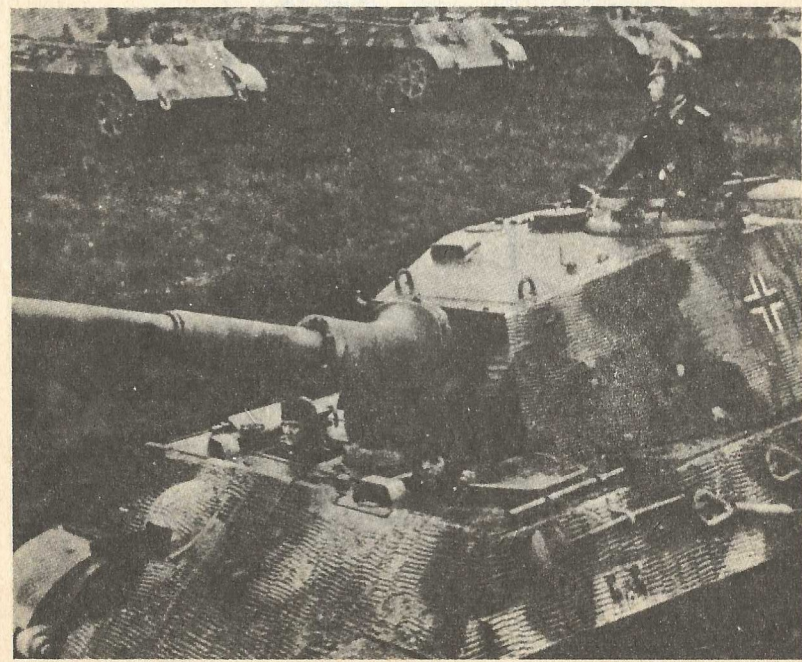
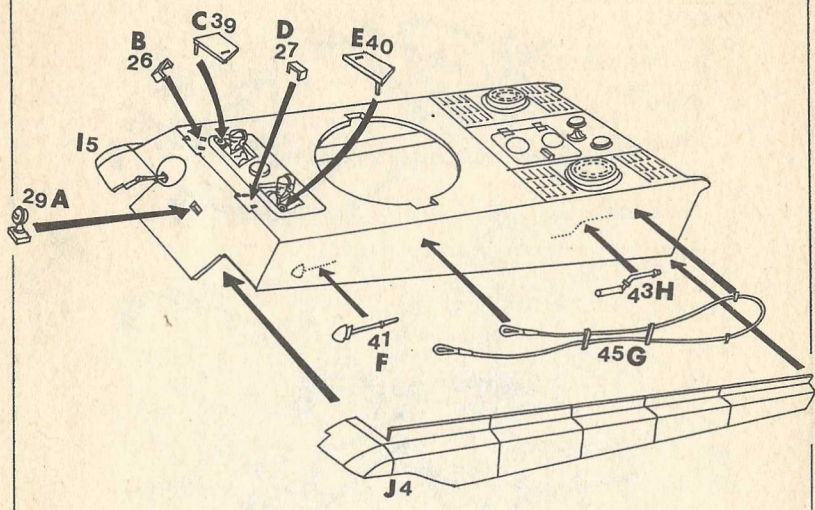
SPEED: 26 MPH ON ROADS; 9/12 CROSS-COUNTRY.
CLIMBING ABILITY: 35° (70%) SLOPE.
TRENCH CROSSING ABILITY: 9.85 FT.
FORDING DEPTH: 64 IN.
FUEL CAPACITY: 228 GAL. (IN FOUR TANKS).
RADIUS OF ACTION: 106 MILES ON ROADS;
75 MILES CROSS-COUNTRY.



ARMOR
ESCI
MADE IN ITALY

ARMOR
ESCI
MADE IN ITALY





4

