

Bushmaster Protected Mobility Vehicle

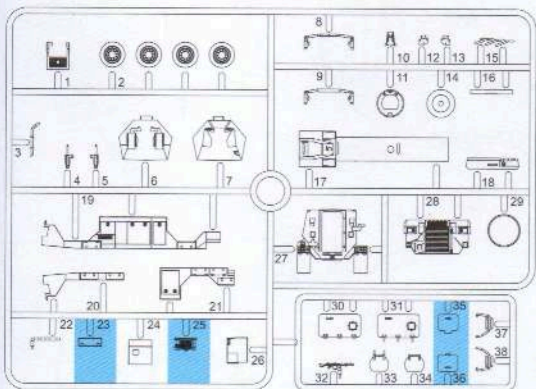
1:72
ARMOR
PRO



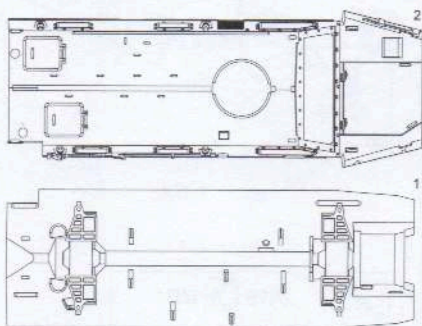
DRAGON

KIT NO. 7699

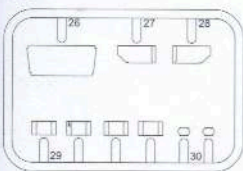
A



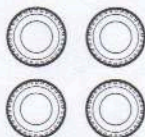
B



C



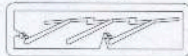
D



MAx2
(Matel rod)



MB
(Photo-etch part)



この部品は使用しません
Parts not for use.
Teile werden nicht verwendet.
Pièces à ne pas utiliser.
Parti non utilizzati.
不要な使用の部品

組立ての注意

- 接着剤や塗料は火の近くで使用しないでください。使用する際は窓を開けて換気に気を付けてください。
- 接着剤や塗料は含まれておりませんので、別にお買い求めください。
- 塗料指定の色は GSI CREOS CORP. Mr. COLOR の番号です。
- 接着剤や塗料は含まれておりませんので、別にお買い求めください。
- 部品をランナーから切り取る時は短冊用ハサミ等を使用し、余分な部分はカッターやヤスリ等で仕上げてください。
- 組立後のランナーマークは下記をご覧ください。

ZUR BEACHTUNG

- Kleber und Farbe nicht in der Nähe einer offenen Feuer verwenden und das Fenster von Zeit zu Zeit zur Belüftung öffnen.
- Symbole wie **B** beziehen sich auf die Farbrummern GSI CREOS CORP. MR. COLOR. Kleber und Farbe sind nicht enthalten.
- Zum Abschneiden der Teile vom Verbundstück eine Modellerschere verwenden und die überstehenden Plasteteile mit einem Messer oder einer Feile beseitigen.
- Die Bedeutung der Symbole finden Sie unten in dieser Spalte.

ATTENTION

- Ne pas utiliser de colle ou de peinture a proximité d'une flamme nue, et aérer le pièce de temps en temps.
- Le numero **B** pour l'indication de couleurs correspond au numero de GSI CREOS CORP. MR. COLOR. La colle et la peinture ne sont pas comprises.
- Pour retirer les pièces hors du cadre, utiliser des ciseaux spéciaux pour maquetter le plastique en excès avec un cutter ou une lime.
- Voir la fin de cette colonne pour la signification des symboles

《注意》

- 勿論近火通使用部水或油漆。並打開窓戶保持空氣流通。
- 代表 GSI CREOS CORP. 出品 MR. COLOR 的顏色編號。
- 不包括膠水及油漆。
- 自膠水中取出部份時。應用模型專用剪。並用砂刀或小銼除去多餘的膠料。
- 套圖型的符號可參考小欄以下的說明。

CAUTION

- When you use glue or paint, do not use near a naked flame, and use in a well-ventilated room.
- Symbols such as **B** refer to the color number of GSI CREOS CORP. MR. COLOR. Glue and paint are not included.
- When you take parts off the runner frame, use modeling scissors and trim excess plastic with a cutter or a file.
- See below for the meaning of symbols.

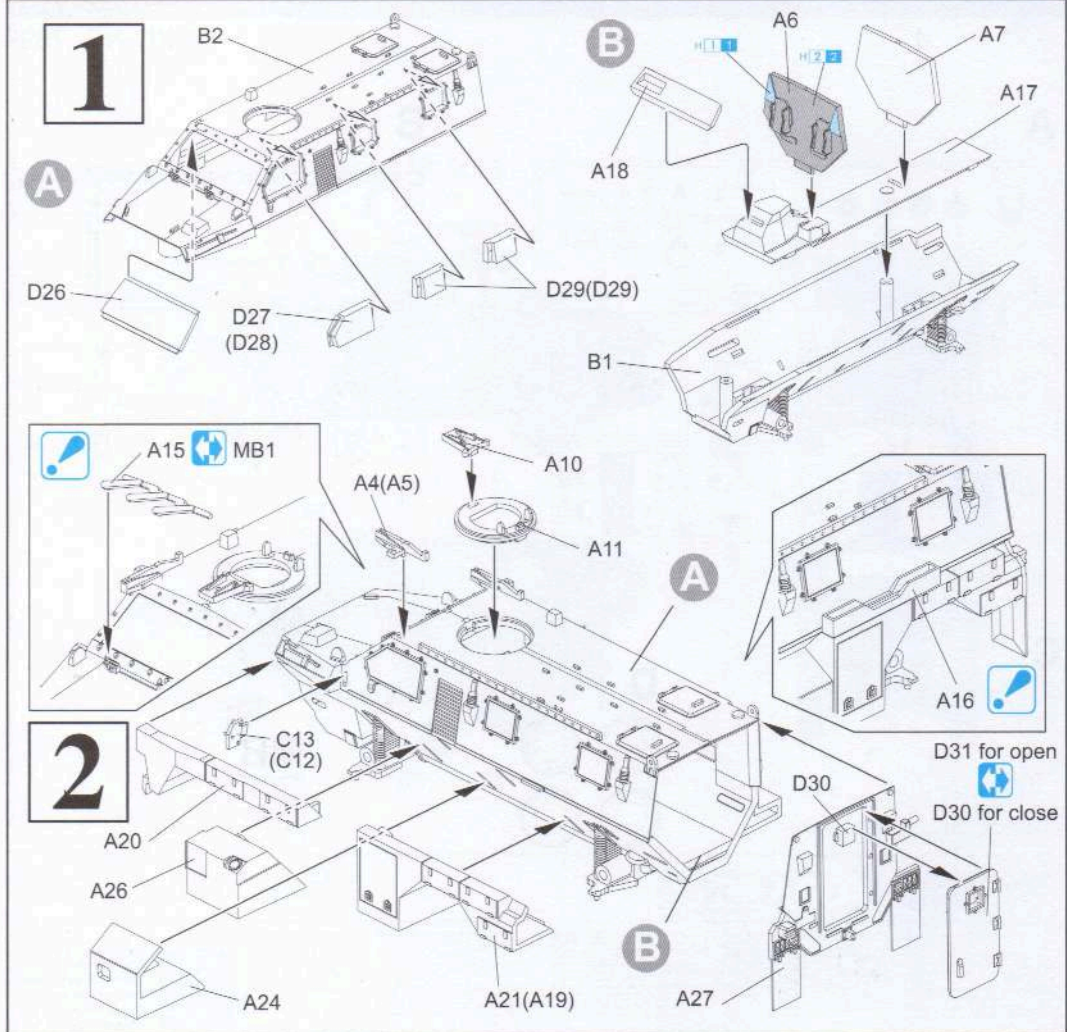
ATTENZIONE

- Non usare colla o vernice vicino a fiamme esposte, o aprire le finestre di tanto in tanto per cambiare l'aria.
- Delle indicazioni di colore si riferisce al numero di colore di GSI CREOS CORP. MR. COLOR. Colla e vernice non sono incluse.
- Quando si staccano parti dal carrello, usare forbici da modellismo e eliminare la plastica in eccesso con un coltello o una lima.
- Vedere in fondo a questa colonna per il significato dei simboli.

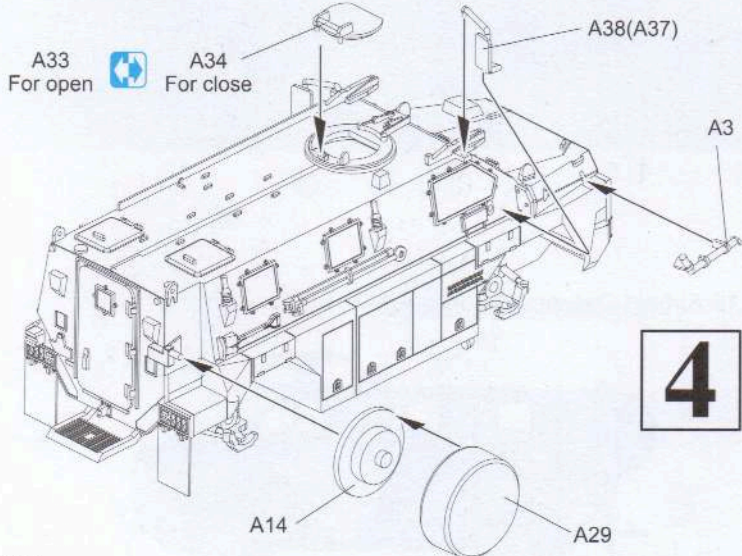
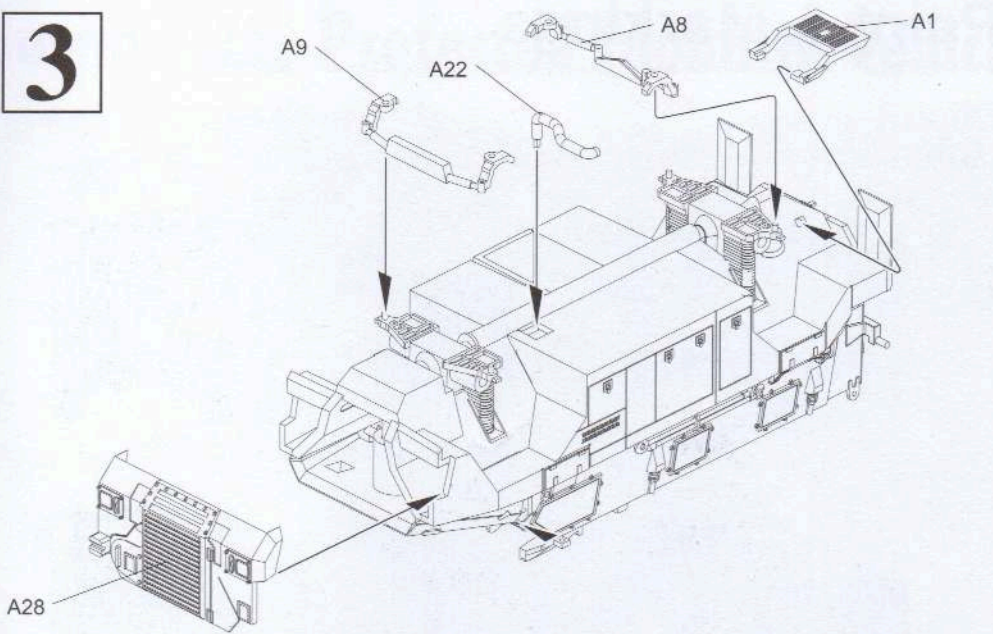
2倍の注意してください MAKE 2x2x 3 TIMES ATTENTION ATTENTION 2x2x FARE 2x2x 2x2x MR. CORP. 2x2x 2x2x	手前を注意してください REMOVE ENTERTAIN RETRIER SEINFAHE POSTA AVIAGSNA 注意	接着剤についてください DO NOT CEMENT NICHT KLEBEN NE PEB COLLER NOM INCOLLARE NE BAKA LIMASJE AVIAGSNA 注意	ステッカーを貼ってください APPLY DECAL NIEN ABZEHLEN APPLIKUER DIECALOMANIE APPLICARE DIECALOMANIE ASITR A SIKTERINA APPLI COFFRA DIECAL EN 貼るに注意	穴を注意してください FILL HOLE SCHLEBEN BOCHEREN LE TROU FORI PIENO FAYTA HUKKA FYL HALET 注意	瞬間接着剤（両面テープ）は必ず 瞬間接着剤（両面テープ）は必ず 瞬間接着剤（両面テープ）は必ず 瞬間接着剤（両面テープ）は必ず 瞬間接着剤（両面テープ）は必ず 瞬間接着剤（両面テープ）は必ず 瞬間接着剤（両面テープ）は必ず	穴を注意してください INSTANT GULE FOR METAL METALLKLEBER COLLA A METAL INSTANTANEE FACILITATIVE VAL ANANVAANEN VALGUR 注意

H11 GSI CREOS CORP. AQUEOUS HOBBY COLOR ■ GSI CREOS CORP. MR. COLOR ■ MODEL MASTER COLOR

色番	色名	色番	色名	色番	色名	色番	色名
H112	ブラック(黒)	1747	BLACK	SCHWARZ	NOIR	NERO	黒色
H113	レッド(赤)	1503	RED	ROT	ROUGE	ROSSO	紅色
H114	シルバー(銀)	1546	SILVER	SILBER	ARGENT	ARGENTO	銀色
H1111	つや消しホワイト	1768	FLAT WHITE	MATTWEISS	BLANC MAT	BLANCO OPACO	啞白色
H1112	つや消しブラック	1749	FLAT BLACK	MATTSCHWARZ	NOIR MAT	NERO OPACO	啞黒色
H1142	オレンジ(橙)	1527	ORANGE	ORANGE	ORANGE	ARANCIO	橙色
H118	黒鉄色	1415	STEEL	STAHL	ACIER	ACCIAIO	黒銀色
H1131	ウッドブラウン	1735	WOOD BROWN	HOLZBRAUN	BRUN BOIS	MARRONE LEGNO	木棕色
H1141	はだ色	1516	FLESH	FLEISCHFARBE	CHAIR	COLOR CARNE	肌肉色
H1104	オリーブドラブFS34087	1711	OLIVE DRAB	OLIVE DRAB	OLIVE DRAB	OLIVA PALLIDO	橄欖綠色

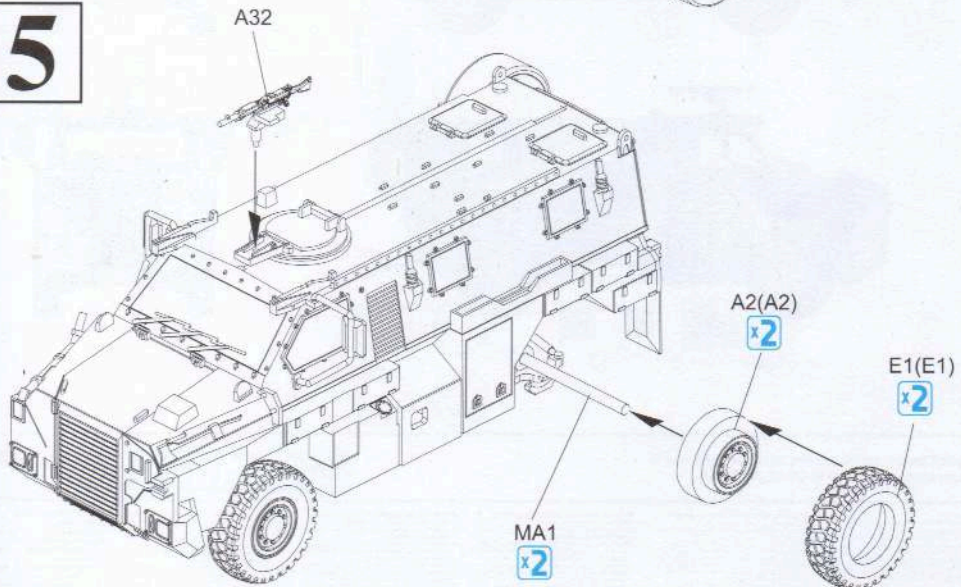


3



4

5



Paint & Markings

マーキング及び塗装図

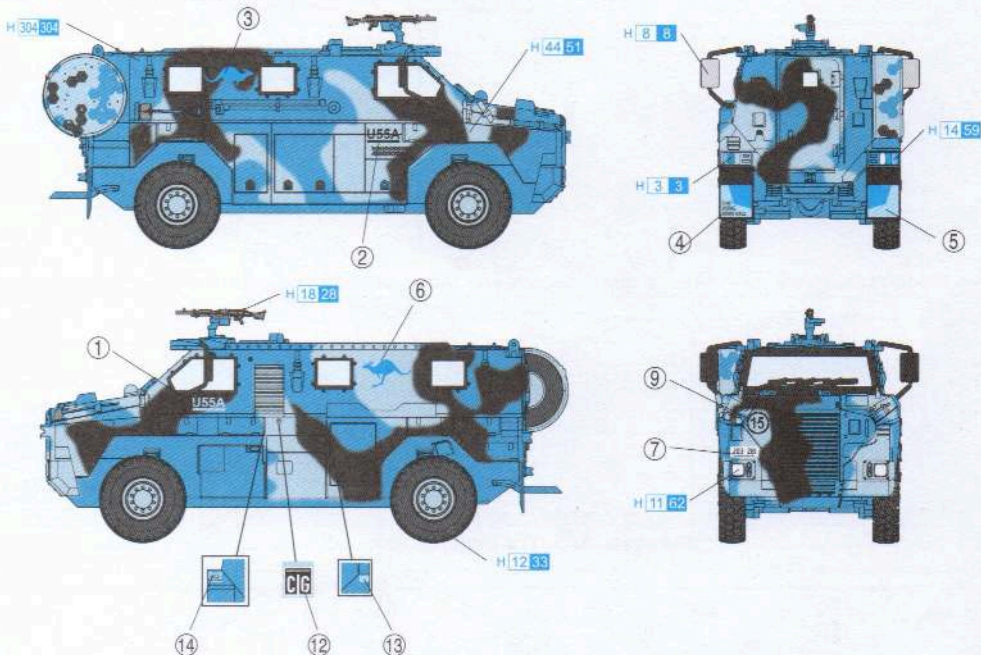
Markierungen und Bemalung

Decoration et Peinture

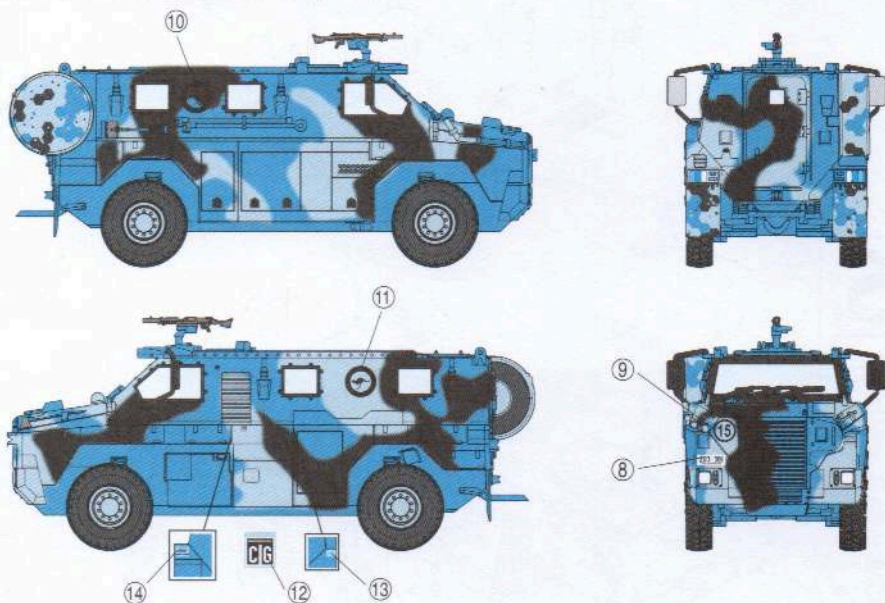
Marchio & Pittura

標貼及着色指示

AMTG-2, 5/7 RAR, Iraq 2005-2006



10 Airfield Defence Guards RAAF, 2007



Dragon Europe: c/o Hobby Pro Marketing Ges. m.b.H.
Am Leonhardbach 7, A-8010 GRAZ, AUSTRIA



Copyright © 2021
7699-01

■ Correct Method for Applying Decals
 1. Cut the decal from the sheet with a sharp scalpel.
 2. Carefully peel the decal from the sheet, leaving a thin border of paper.
 3. Place the decal on a clean, flat surface.
 4. Dip the decal in water for 10-15 seconds.
 5. Remove the decal from the water and place it on the model.
 6. Gently press the decal onto the model with a soft brush.
 7. Allow the decal to dry for 24 hours.

■ Correct Method for Applying Decals (continued)
 8. If the decal does not adhere properly, repeat steps 4-7.
 9. Do not use glue or other adhesives.
 10. Do not use a hair dryer or other heat source.

■ Correct Method for Applying Decals (continued)
 11. Do not use a hair dryer or other heat source.
 12. Do not use a hair dryer or other heat source.

■ Correct Method for Applying Decals (continued)
 13. Do not use a hair dryer or other heat source.
 14. Do not use a hair dryer or other heat source.

■ Correct Method for Applying Decals (continued)
 15. Do not use a hair dryer or other heat source.
 16. Do not use a hair dryer or other heat source.

■ Correct Method for Applying Decals (continued)
 17. Do not use a hair dryer or other heat source.
 18. Do not use a hair dryer or other heat source.

■ Correct Method for Applying Decals (continued)
 19. Do not use a hair dryer or other heat source.
 20. Do not use a hair dryer or other heat source.

■ Correct Method for Applying Decals (continued)
 21. Do not use a hair dryer or other heat source.
 22. Do not use a hair dryer or other heat source.

■ Correct Method for Applying Decals (continued)
 23. Do not use a hair dryer or other heat source.
 24. Do not use a hair dryer or other heat source.

■ Correct Method for Applying Decals (continued)
 25. Do not use a hair dryer or other heat source.
 26. Do not use a hair dryer or other heat source.

■ Correct Method for Applying Decals (continued)
 27. Do not use a hair dryer or other heat source.
 28. Do not use a hair dryer or other heat source.

■ Correct Method for Applying Decals (continued)
 29. Do not use a hair dryer or other heat source.
 30. Do not use a hair dryer or other heat source.

■ Correct Method for Applying Decals (continued)
 31. Do not use a hair dryer or other heat source.
 32. Do not use a hair dryer or other heat source.

■ Correct Method for Applying Decals (continued)
 33. Do not use a hair dryer or other heat source.
 34. Do not use a hair dryer or other heat source.

■ Correct Method for Applying Decals (continued)
 35. Do not use a hair dryer or other heat source.
 36. Do not use a hair dryer or other heat source.

■ Correct Method for Applying Decals (continued)
 37. Do not use a hair dryer or other heat source.
 38. Do not use a hair dryer or other heat source.

■ Correct Method for Applying Decals (continued)
 39. Do not use a hair dryer or other heat source.
 40. Do not use a hair dryer or other heat source.

■ Correct Method for Applying Decals (continued)
 41. Do not use a hair dryer or other heat source.
 42. Do not use a hair dryer or other heat source.

■ Correct Method for Applying Decals (continued)
 43. Do not use a hair dryer or other heat source.
 44. Do not use a hair dryer or other heat source.

■ Correct Method for Applying Decals (continued)
 45. Do not use a hair dryer or other heat source.
 46. Do not use a hair dryer or other heat source.

■ Correct Method for Applying Decals (continued)
 47. Do not use a hair dryer or other heat source.
 48. Do not use a hair dryer or other heat source.

■ Correct Method for Applying Decals (continued)
 49. Do not use a hair dryer or other heat source.
 50. Do not use a hair dryer or other heat source.

■ Correct Method for Applying Decals (continued)
 51. Do not use a hair dryer or other heat source.
 52. Do not use a hair dryer or other heat source.

■ Correct Method for Applying Decals (continued)
 53. Do not use a hair dryer or other heat source.
 54. Do not use a hair dryer or other heat source.

■ Correct Method for Applying Decals (continued)
 55. Do not use a hair dryer or other heat source.
 56. Do not use a hair dryer or other heat source.

■ Correct Method for Applying Decals (continued)
 57. Do not use a hair dryer or other heat source.
 58. Do not use a hair dryer or other heat source.

■ Correct Method for Applying Decals (continued)
 59. Do not use a hair dryer or other heat source.
 60. Do not use a hair dryer or other heat source.

■ Correct Method for Applying Decals (continued)
 61. Do not use a hair dryer or other heat source.
 62. Do not use a hair dryer or other heat source.

■ Correct Method for Applying Decals (continued)
 63. Do not use a hair dryer or other heat source.
 64. Do not use a hair dryer or other heat source.

■ Correct Method for Applying Decals (continued)
 65. Do not use a hair dryer or other heat source.
 66. Do not use a hair dryer or other heat source.

■ Correct Method for Applying Decals (continued)
 67. Do not use a hair dryer or other heat source.
 68. Do not use a hair dryer or other heat source.

■ Correct Method for Applying Decals (continued)
 69. Do not use a hair dryer or other heat source.
 70. Do not use a hair dryer or other heat source.

■ Correct Method for Applying Decals (continued)
 71. Do not use a hair dryer or other heat source.
 72. Do not use a hair dryer or other heat source.

■ Correct Method for Applying Decals (continued)
 73. Do not use a hair dryer or other heat source.
 74. Do not use a hair dryer or other heat source.

■ Correct Method for Applying Decals (continued)
 75. Do not use a hair dryer or other heat source.
 76. Do not use a hair dryer or other heat source.

■ Correct Method for Applying Decals (continued)
 77. Do not use a hair dryer or other heat source.
 78. Do not use a hair dryer or other heat source.

■ Correct Method for Applying Decals (continued)
 79. Do not use a hair dryer or other heat source.
 80. Do not use a hair dryer or other heat source.

■ Correct Method for Applying Decals (continued)
 81. Do not use a hair dryer or other heat source.
 82. Do not use a hair dryer or other heat source.

■ Correct Method for Applying Decals (continued)
 83. Do not use a hair dryer or other heat source.
 84. Do not use a hair dryer or other heat source.

■ Correct Method for Applying Decals (continued)
 85. Do not use a hair dryer or other heat source.
 86. Do not use a hair dryer or other heat source.

■ Correct Method for Applying Decals (continued)
 87. Do not use a hair dryer or other heat source.
 88. Do not use a hair dryer or other heat source.

■ Correct Method for Applying Decals (continued)
 89. Do not use a hair dryer or other heat source.
 90. Do not use a hair dryer or other heat source.

■ Correct Method for Applying Decals (continued)
 91. Do not use a hair dryer or other heat source.
 92. Do not use a hair dryer or other heat source.

■ Correct Method for Applying Decals (continued)
 93. Do not use a hair dryer or other heat source.
 94. Do not use a hair dryer or other heat source.

■ Correct Method for Applying Decals (continued)
 95. Do not use a hair dryer or other heat source.
 96. Do not use a hair dryer or other heat source.

■ Correct Method for Applying Decals (continued)
 97. Do not use a hair dryer or other heat source.
 98. Do not use a hair dryer or other heat source.

■ Correct Method for Applying Decals (continued)
 99. Do not use a hair dryer or other heat source.
 100. Do not use a hair dryer or other heat source.