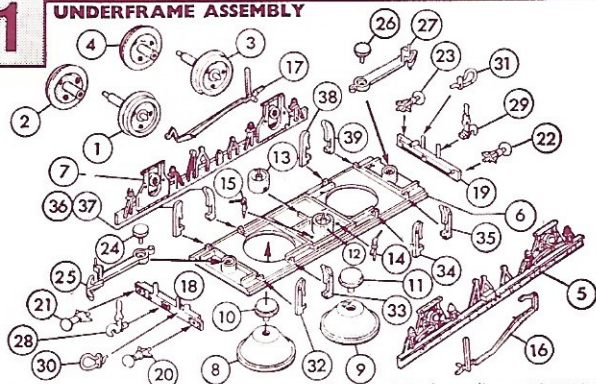


# 1 UNDERFRAME ASSEMBLY



It is recommended that the instructions and exploded view are studied, and that the assembly is practised before cementing together.

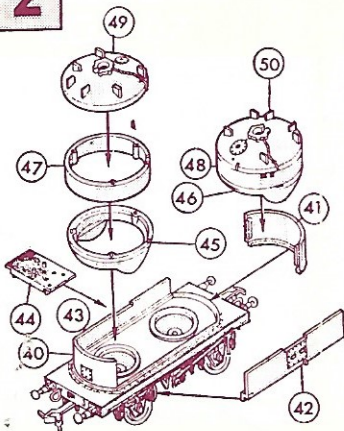
1. Apply cement to axle pins of wheels, and press into axle holes of the other two wheels. Check that wheels run true and set aside to dry (1-4)
- 1a. Or alternatively use the carbon steel axles and wheels enclosed with kit.
2. Note solebars differ. Identify, locate and cement solebar to locating rib beneath wagon floor plate (5,6.)
3. Similarly locate and cement second solebar and at same time locating wheels into holes inside the axle boxes (7)
4. Carefully apply cement to underside rim of lower containers and insert container through large holes in top of wagon floor (8,9.)
5. Cement locating pins on container caps into holes in bottom of lower containers (10,11.)
6. Locate and cement vacuum brake cylinders on to short crossbeam beneath wagon floor (12,13.)
7. Cement locating pins on end of air filter pipes into locating holes in wagon floor. Ends of pipes should each touch rim of nearest lower containers (14,15.)
8. Note brake levers differ, identify and locate and cement small locating pin on rear of brake lever into small locating hole in "V" hanger and larger pin into hole in solebar, angled back part of brake lever fitting behind and cemented to bottom of "V" hanger (16)
9. Similarly locate second brake lever with angled part outwards but note in this instance small locating pin is first cemented into locating hole in small plate on solebar (17)
10. Locate and cement buffer beams to ends of underframe, the bottom of the beams level with the bottom of the underframe (18,19.)
11. Cement "D" shaped locating pins on ends of buffers into "D" shaped holes in buffer beams (20-23).

12. The desired coupling must now be selected. Note that in addition to scale coupling hooks for non-working models a working "buckeye" type of coupling is provided. If desired the "Peco" coupling can be employed, in this case the stem of the pivot pin should be shortened to suit. Provision has also been made for fitting the British commercial hook and bar type of coupling. To use this the two inner guide pins on the buffer beam are removed and the caps cemented or heat-sealed on the outer pins.
13. If a working coupling is selected, insert the pivot pin through the hole in coupling, and cement into the locating bush beneath underframe. ENSURE NO CEMENT COMES INTO CONTACT WITH COUPLING (24,25.)
14. Repeat this procedure for the second coupling (26,27.)
15. If non-working couplings have been selected, cement the locating lugs of the scale coupling hooks into central slots of buffer beams (28,29.)
- 15a. If tension lock couplings are required glue the clip part No. A & B into hole on chassis floor No. 6. Check that for close coupled wagons locating pin is offset to centre of the wagon.
- 15b. Remove with sharp knife the retaining clips on bottom edge of buffer beams (Nos. 18-19). Clip parts Nos. C-D onto Nos. A-B the couplings E-F will now clip into recess.
16. Cement vacuum brake pipes into locating holes in buffer beams. Note that if "Peco" couplings are employed these parts should be omitted (30,31.)
17. Next locate and cement in position the eight brake shoes. These are positioned on the inside of the solebars, on either side of the axle box frames. Ensure that the brake shoes are aligned with the wheels (32-39)
18. If it is desired to paint the underframe assembly, it should be done at this stage.

PAINT ALL DETAILS AND LET DRY BEFORE ASSEMBLING (SEE SECTION 4).  
FOR FIXING USE POLYSTYRENE CEMENT.

2

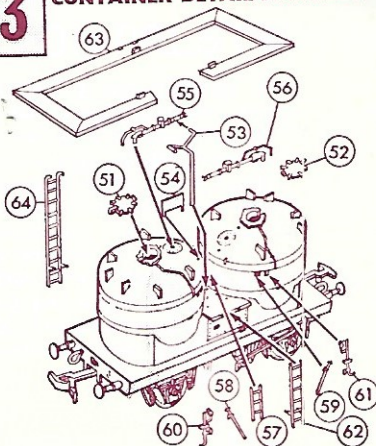
ASSEMBLY OF UPPER CONTAINER



19. Cement the locating ribs on bottom of end plates behind and on to locating ribs on wagon floor (40.41.)
20. Identify side plate with rivet detail and similarly position and cement on to locating ribs on wagon floor ( angled back lever side ) and to end plates (42)
21. Similarly position and cement second side plate (43)
22. Locate and cement locating ribs beneath platform centrally and across top of side plates.  
NOTE: one end is flush with side plates and the other end with locating holes protrudes over the side plate with rivet detail (44)
23. Locate and cement container cones over side plates and on to end plates.  
NOTE: cut-outs in container cones to protruding side of platform. Protruding pins on platform inside cones (45.46.)
24. Locate and cement locating pins on container barrels into locating holes in container cones, ensuring cut-outs in barrel are to top and to protruding side of platform and wider square cut-outs innermost (47.48.)
25. Cement locating pins beneath container domes into locating holes in container barrels.  
NOTE: air filter pipes detail on container dome in line with protruding platform (49.50.)

3

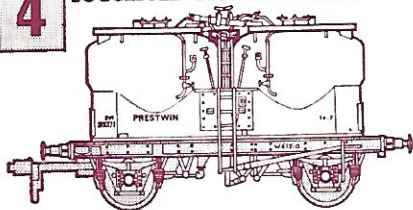
CONTAINER DETAIL ASSEMBLY



26. Locate and cement manhole covers to holes in centre of domes (51.52.)
27. Cement locating pin on end of central pipe into single locating hole in platform (53)
28. Locate and cement the two pins on bottom of discharge instruction board into locating hole on edge of each container dome (54)
29. Cement small and large locating pins on the two discharge pipes into the small and large holes on the container domes.  
NOTE: small recesses in sides of discharge pipes are to the inside and cemented to protruding ends of central air pipe (55.56.)
30. Cement locating pins on ends of short ladder sides into the inner pair of locating holes on platform (57)
31. Locate and cement the protruding square lugs on the two pressure operating wheels into inner cut-outs of container barrels and ends of shafts into the two outer locating holes in platform (58.59.)
32. Locate and cement lugs on rear of combined pressure pipes and gauge units into cut-outs in container barrels and container cones.  
NOTE: top of pipe aligns with pipe detail on container domes (60.61.)
33. Locate and cement ends of the medium length ladder between lugs on outer edge of platform and locating pins on rear of ladder into locating holes in solebar (62)
34. Locate and cement recesses beneath catwalk to supports on container domes, cut-out in catwalk to protruding platform side (63)
35. Locate and cement curved ends of long ladder into small cut-outs in side of catwalk and protruding locating pins into holes in side of solebar (64)

# 4

## SUGGESTED COLOUR SCHEME



MATT BLACK



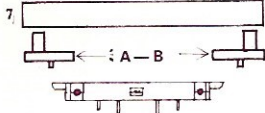
BAUXITE

- |                   |                               |
|-------------------|-------------------------------|
| <b>BAUXITE</b>    | Complete wagon body           |
| <b>YELLOW</b>     | Axle box caps, control wheels |
| <b>MATT BLACK</b> | Complete underframe           |

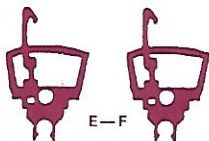
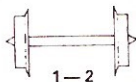
36. Complete painting and apply transfers, first cut the sheet into twelve separate pieces. Then dip each in warm water for a few minutes, slide off backing into position shown on illustration. Prestwin on either side, beneath container cone. Wagon serial numbers to end plates. Wagon weight number on end of side plates. Wheel base measurement to solebar sides. Danger notice and white triangle on riveted plate on side plate. Black notice to discharge instruction board.
37. Finally if the "buckeye" couplings have been employed, use a rubber band to connect the small hooks on the rear of each coupling. This will give a working spring action.

er.  
pply ce  
d pre

ote sc  
nd cen  
near



### CARBON AXLE WHEELS



C-D

