

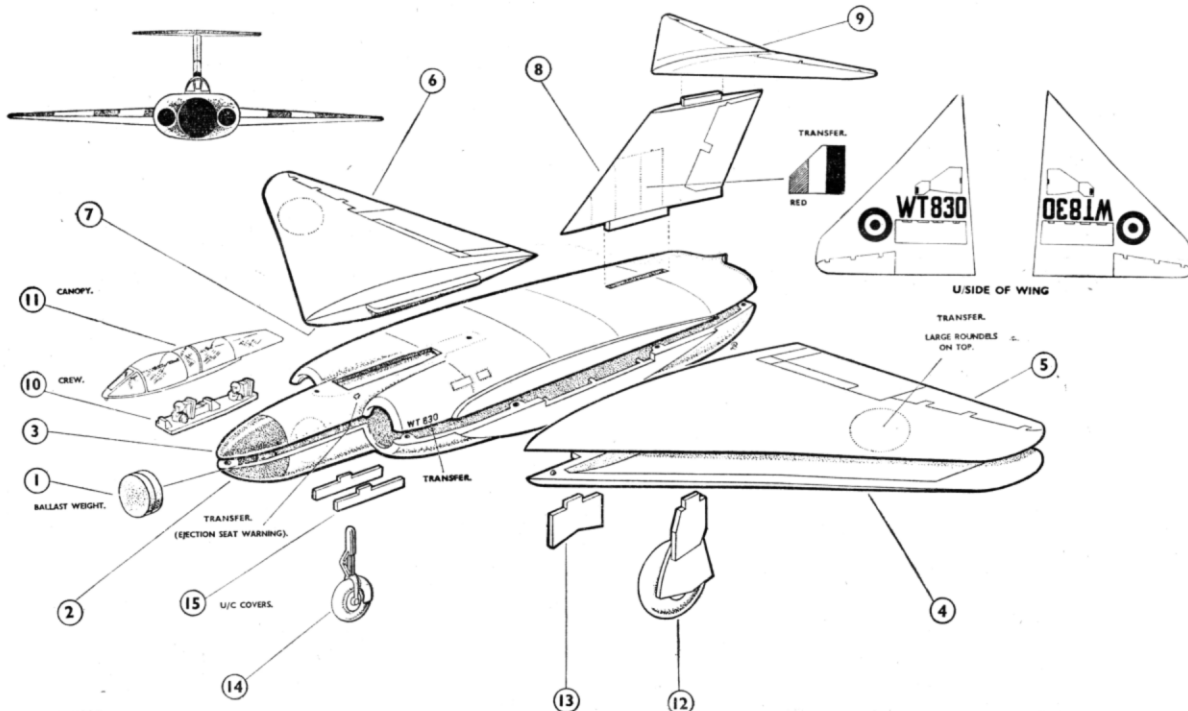
FROG

Registered Trade Mark

GLOSTER JAVELIN

1/72nd Scale.

CAT. No. F.324



INSTRUCTIONS

It is recommended that the instructions and exploded view are studied and assembly practised before commencing.

Use Frog or Britfix Polystyrene Cement and Frog or Humbrol Paints.

It may be necessary in some cases to mix two or more colours to obtain shades required. Paint all small parts before assembly.

Keep cement well away from face, eyes and clothing.

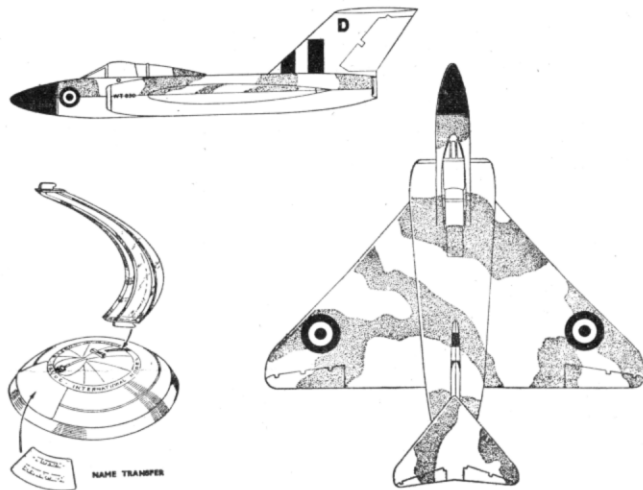
ASSEMBLY INSTRUCTIONS

1. Place the ballast weights (1) in the nose of one of the fuselage halves, and wedge them with plasticine, or pieces of card lightly-cemented to the bulkheads only. This will enable the model to balance properly on its undercarriage.
2. Apply cement to the edges of the fuselage halves (2) and (3), and press these together, using elastic bands to hold them firmly until they are set. Carefully clean off any surplus cement with a knife.

3. Cement the two halves of the Port Wing (4) and (5) together, and the two halves of the Starboard Wing (6) and (7). When these have set, smooth off the inner faces which touch the fuselage, so that they are a good fit when assembled. Then apply cement to the tongues of the wings and insert these in the slots in the fuselage. **Make sure the undercarriage slots are on the underside.**
4. Cement the Fin (8) to the fuselage, then cement the Tailplane (9) in place on the Fin. Hold these in place until they are set, to ensure they remain "square", and in line with the Wings. See front view.
5. Cement the "Crew" (10) in place in the recess provided.
6. Paint the cockpit interior black or light green, and pilots' uniforms light grey/blue, with white helmets. Then cement the canopy (11) in place.
7. Cement the main Undercarriage legs (12) in the outer slots on the underside of the wings, and note that the fairings are on the outside. Then fix the cover pieces (13) in place in the smaller slots.
8. Cement the front Undercarriage leg (14) into the hole provided in the fuselage, followed by the cover pieces (15). This completes the construction.

PAINTING AND FINISHING.

9. The model can be left the natural silver finish, with details such as tyres, fuselage nose and cabin touched in with black paint, or it can be painted in camouflage colours as shown in the 1/2-size 3 view layout. The light parts are Light Sea Grey and the darker areas Dark Sea Green. The undersurfaces are silver. Paint the whole top surface light grey first, and when it is dry, mark out and paint the green sections. Use good quality synthetic or oil-bound enamels, and apply one or two coats evenly with a soft brush. Cellulose paints attack the surface of Polystyrene and leave a slightly crackled finish.
10. Affix the transfers in place, following the instructions on the back. Separate each part first, and apply the large letters and numbers to the underside of the wing, as indicated in the sketch above.
11. **STAND.** Clip the upright pillar to the base by hooking the rear end of the tongue in the slot first, and apply a little cement to the underside to avoid marking the top. Affix the transfer in position in the space provided. The top end of the stand fits into the slot in the fuselage.



HISTORY OF THE JAVELIN.

The Javelin was the world's first twin-jet delta fighter and was designed as a two-seat all-weather fighter. Our model is of the fourth prototype which was the first Javelin to be fitted with the double taper leading edge wing. The first prototype was flown on 26th November, 1951.

FULL-SIZE DATA :

Wingspan	52' 0"
Length	57' 0"
Height	16' 0"

Powered by 2—Armstrong-Siddeley "Sapphire" Turbojets.

SOME OF THE OTHER EXCITING FROG KITS TO ADD TO YOUR COLLECTION *

- | | | |
|---|--|---|
| 1/72nd SCALE AIRCRAFT : | D.H. Comet 88 (Trail Blazer)
(Gold Tokens) | De Havilland Comet
Avro Vulcan
Vickers Valiant
Handley Page Victor
Air France Caravelle
Swiss Air Caravelle
Bristol Britannia 100 |
| Percival Proctor IV. | G.A. Hotspur II. | |
| Hawker Sea Fury X. | Hawker Hunter (Gold Tokens) | |
| Miles Magister | Fairey Delta (Gold Tokens) | |
| Miles Master III. | Vickers Supermarine Attacker
(Gold Tokens) | |
| Fokker D21 | Fairey Gannet (Gold Tokens) | |
| Dewoitine D520C | De Havilland D.H.110 (Gold Tokens) | |
| Morane Saulnier 406 | Hawker Sea Hawk (Gold Tokens) | |
| Macchi C202 | English Electric P.1 (Gold Tokens) | |
| Curtis Kittyhawk (Gold Tokens) | Martin Baltimore | |
| Focke-Wulf FW.190 (Gold Tokens) | Douglas Boston III. (DB/7B) | |
| Hawker Typhoon (Gold Tokens) | Junkers J.U.88 (Gold Tokens) | |
| Republic Thunderbolt (Gold Tokens) | Gloster Javelin (Gold Tokens) | |
| Supermarine Spitfire II. (Gold Tokens) | English Electric Canberra PR7
(Gold Tokens) | |
| Mitsubishi Zero (Gold Tokens) | Martin Marauder II. | |
| Supermarine S6B. (Trail Blazers)
(Gold Tokens) | North American Mitchell
(Gold Tokens) | |
| North American Sabre (Gold Tokens) | Vickers Vimy (Trail Blazer)
(Gold Tokens) | |
| Bristol Beaufort II. | Handley Page Dart Herald | |
| Westland Wessex I. | 1/96th SCALE AIRCRAFT : | |
| Airspeed Oxford II. | Avro Lancaster | |
| Fairey Barracuda (Gold Tokens) | BEA Vickers Viscount 800 | |
| Spirit of St. Louis (Trail Blazer)
(Gold Tokens) | KLM Vickers Viscount 800 | |
| Blackburn Skua (Gold Tokens) | | |
| Westland Wallace (Trail Blazer)
(Gold Tokens) | | |

1/144th SCALE AIRCRAFT :

Special New Super Kit.
B.O.A.C. Super V.C.10 with
flashing lights
B.O.A.C. Boeing 707
Qantas Boeing 707

1/500th SCALE SHIPS :

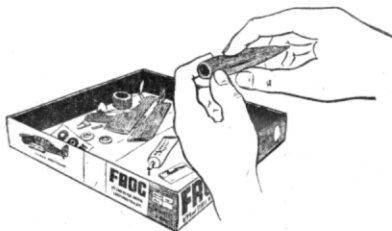
H.M.S. Hero
H.M.S. Ashanti
H.M.S. Torquay
H.M.S. Undine
H.M.S. Revenge
H.M.S. Exeter

OTHER SCALE SHIPS :

Shell Coastal Tanker
Trinity House Lightship
H.M.S. Tiger, Cruiser
Battle Class Destroyer

* PRICES ARE U.K. ONLY FROM 2/- to 19/11.

NEW FROG BOX CONVERTS INTO WORKING TRAY



GET YOUR FROG STORY-BOOK CATALOGUE AND ALBUM FROM YOUR FROG DEALER NOW!

Collect all the picture transfer cards in the "Trail Blazers" kits in order to complete your Album.

SAVE GOLD TOKENS FOR EXCITING FREE GIFTS!

Here are 10 FROG GOLD TOKENS for you to collect for the wonderful free gifts. Every time you buy a FROG Construction Kit with a GOLD TOKEN on the box you will find FROG GOLD TOKENS inside which are worth exciting free gifts to you.

Save your FROG GOLD TOKENS. Look out for other FROG Construction Kits with GOLD TOKENS inside. They are fun and easy to collect and when you have enough you can send for any of these free gifts :-

- | | | |
|---|-----|------------|
| Two FROG "Chuck" Gliders. Balsa construction. Stunt and fly like a real plans | ... | 15 tokens. |
| Book of "Record-Breakers". 32 pages of full colour showing records and pictures of land, air and water record breakers | ... | 30 tokens. |
| FROG Junior Sail Plane Kit. 20" semi-scale Glider. Balsa wood and tissue construction. All shaped parts pre-cut. Outstanding flying characteristics | ... | 45 tokens. |

ALL YOU HAVE TO DO.

Just cut out and save your FROG GOLD TOKENS on this leaflet. When you have collected enough for the free gifts you want, send them with your name and address together with a 3d. stamp, to help with the postage of your gift to :-

GOLD TOKEN (DEPARTMENT F), LONDON, N.W.1.

Due to the cost of postage and duty the FROG GOLD TOKEN GIFT SCHEME has to be confined to the United Kingdom Only.

FROG[®]

GLOSTER JAVELIN *Fighter*

The Javelin was the world's first twin-jet delta fighter and was designed as a two-seat all weather fighter. Our model is of the fourth prototype which was the first Javelin to be fitted with the double taper leading edge wing. The first prototype was flown on 26th November, 1951.

Our model -8½" wing span, 19 parts.

Every time you buy a FROG kit with a Gold Token on the box you will find Gold Tokens inside which are worth exciting

FREE GIFTS (U.K. only).

Collect the GOLD TOKENS IN FROG KITS.

Made in England by INTERNATIONAL MODEL AIRCRAFT LTD.



FROG PAINTING GUIDE

