

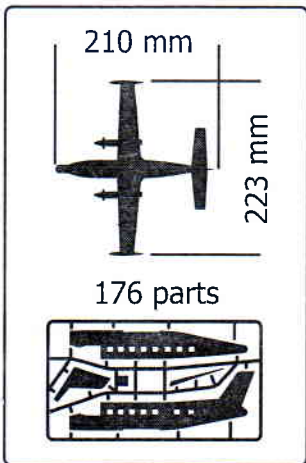


Embraer EMB-111



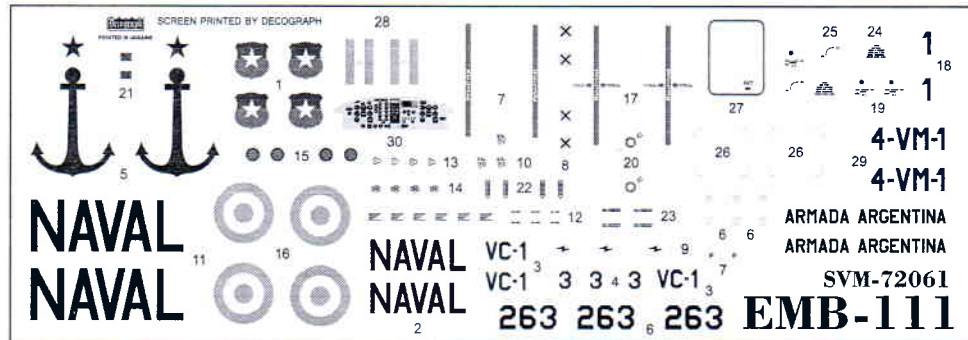
UNASSEMBLED PLASTIC MODEL KITS

SCALE:1/72



DECALS

TWO VERSIONS OF COLOURING



The Embraer EMB 110 Bandeirante is a Brazilian twin-turboprop light transport aircraft designed by Embraer for military and civil use. The EMB 110 was designed by the French engineer Max Holste; it had been designed in line with specifications issued by the Brazilian Ministry of Aeronautics in 1965. Various customers in both the military and civilian sectors opted to procure the EMB 110 during its 22-year production run. As a result, production of the EMB 110 was terminated during 1990.

PAINTS

- | | | | | | |
|----------|--|----------------------------|----------|--|----------------------------|
| A | | HUMBROL 129
GULL GREY | B | | HUMBROL 147
LIGHT GREY |
| C | | HUMBROL 24
YELLOW | D | | HUMBROL 33
BLACK |
| E | | HUMBROL 27004
GUN METAL | F | | HUMBROL 145
MEDIUM GREY |
| G | | HUMBROL 126
MEDIUM GREY | | | |

The model is executed on technology short run and is intended only for experienced modelers.

Word-wide distributor for Sova-M kits:
ModelSvit Balkans Ltd. 4003 Plovdiv,
Bulgaria 9, zk Maritza Gardens.
Tel. +359 32 397 069,
E-Mail: modelsvitbalkans@gmail.com
MADE IN UKRAINE

SYMBOLS

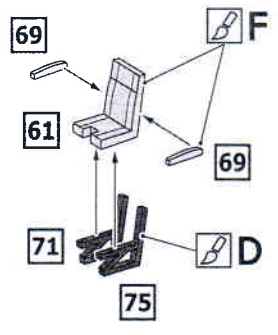
- | | | | | | |
|-----------|------------------------|--|----------------------|--|---------------|
| 1 | STAGES OF ASSEMBLY | | TO PAINT | | TO BEND |
| 1 | NUMBER PARTS | | GLUE | | SCRATCH BUILT |
| | APPLY DECALS | | DON'T GLUE | | OPEN HOLE |
| x2 | QUANTITY OF OPERATIONS | | НА ВИБІР
OPTIONAL | | CAT OUT |

ASSEMBLY INSTRUCTION



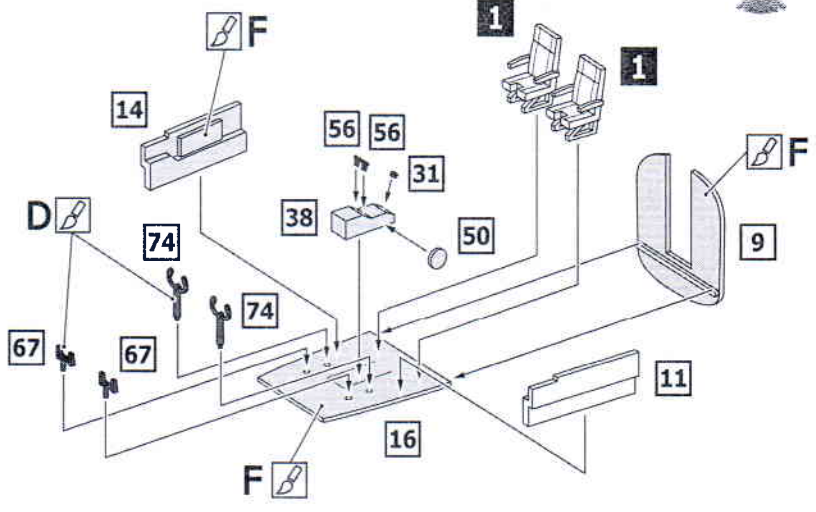
1 x2

- 61** x2
- 69** x4
- 71** x2
- 75** x2



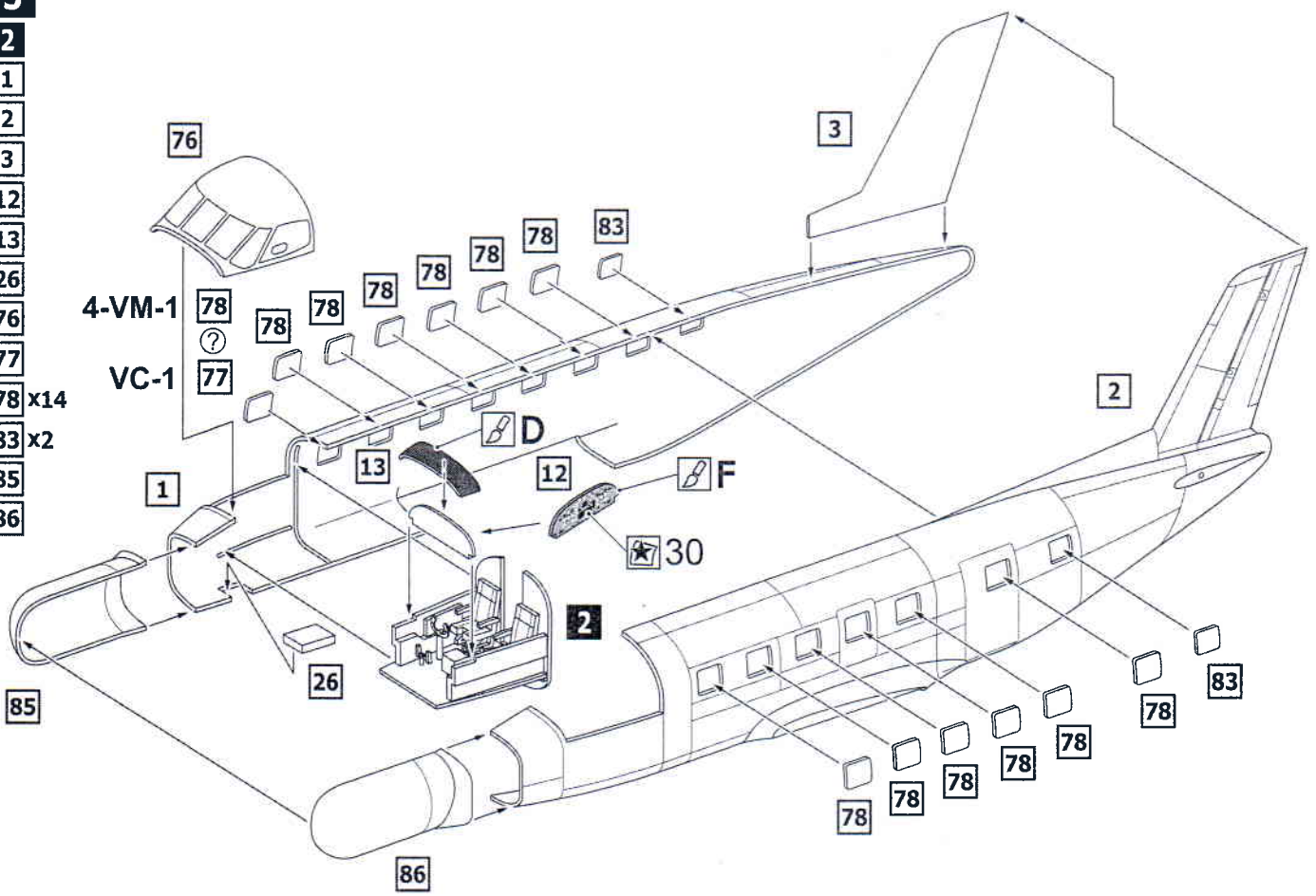
2

- 1** x2
- 9**
- 11**
- 14**
- 16**
- 31**
- 38**
- 50**
- 56** x2
- 67** x2
- 74** x2



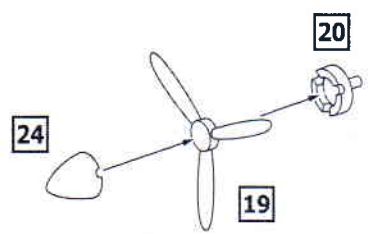
3

- 2**
- 1**
- 2**
- 3**
- 12**
- 13**
- 26**
- 76**
- 77**
- 78** x14
- 83** x2
- 85**
- 86**



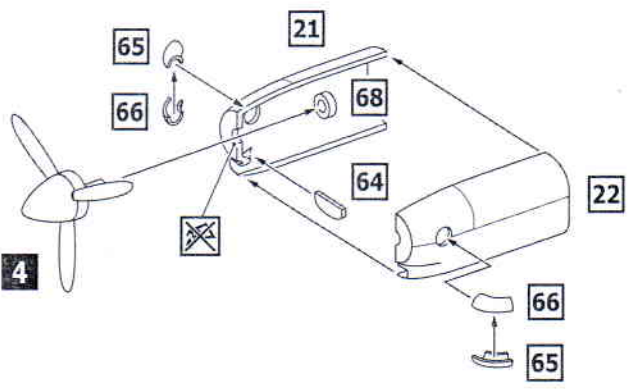
4 x2

- 19** x2
- 20** x2
- 24** x2



5 x2

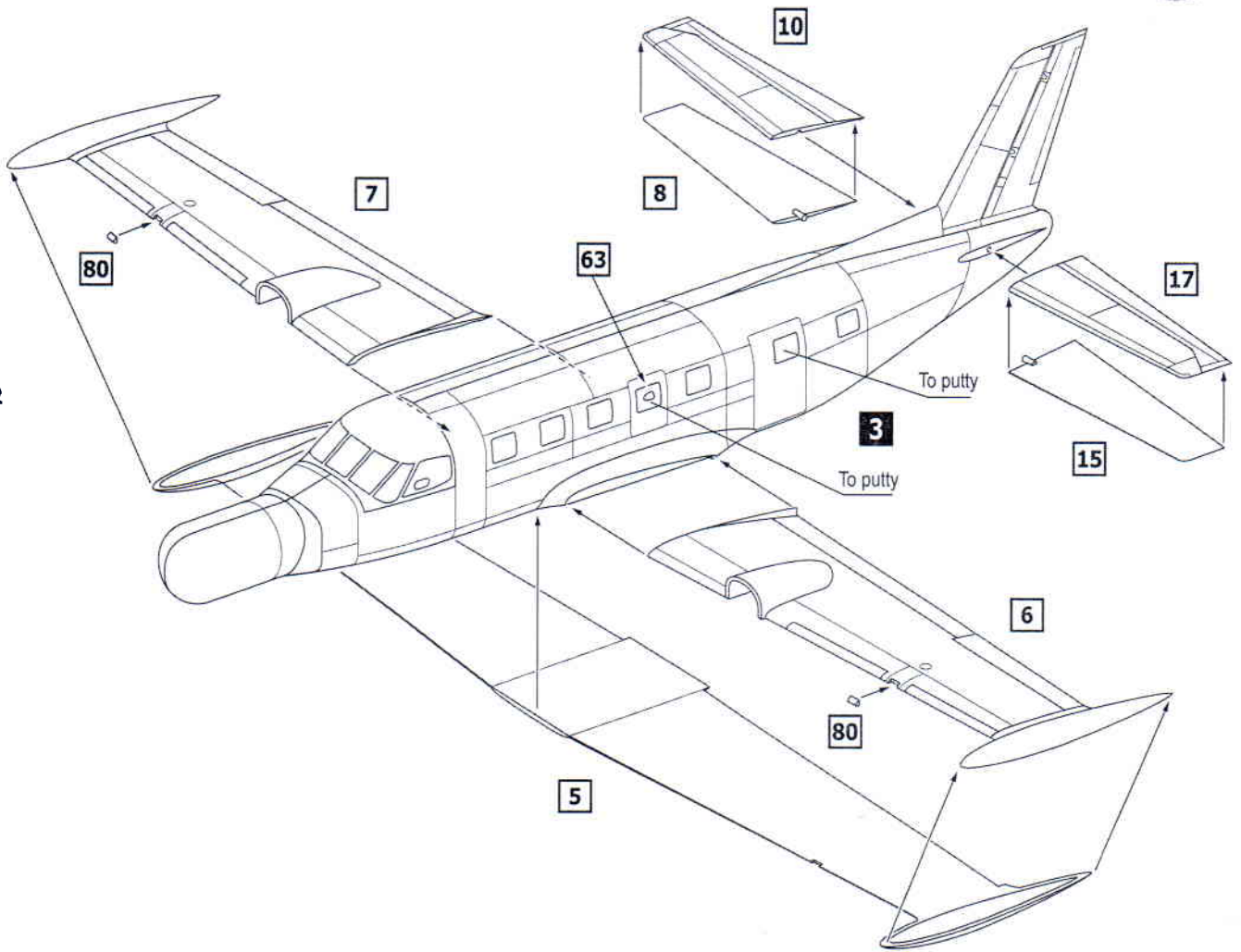
- 4** x2
- 21** x2
- 22** x2
- 64** x2
- 65** x2
- 66** x2
- 68** x2



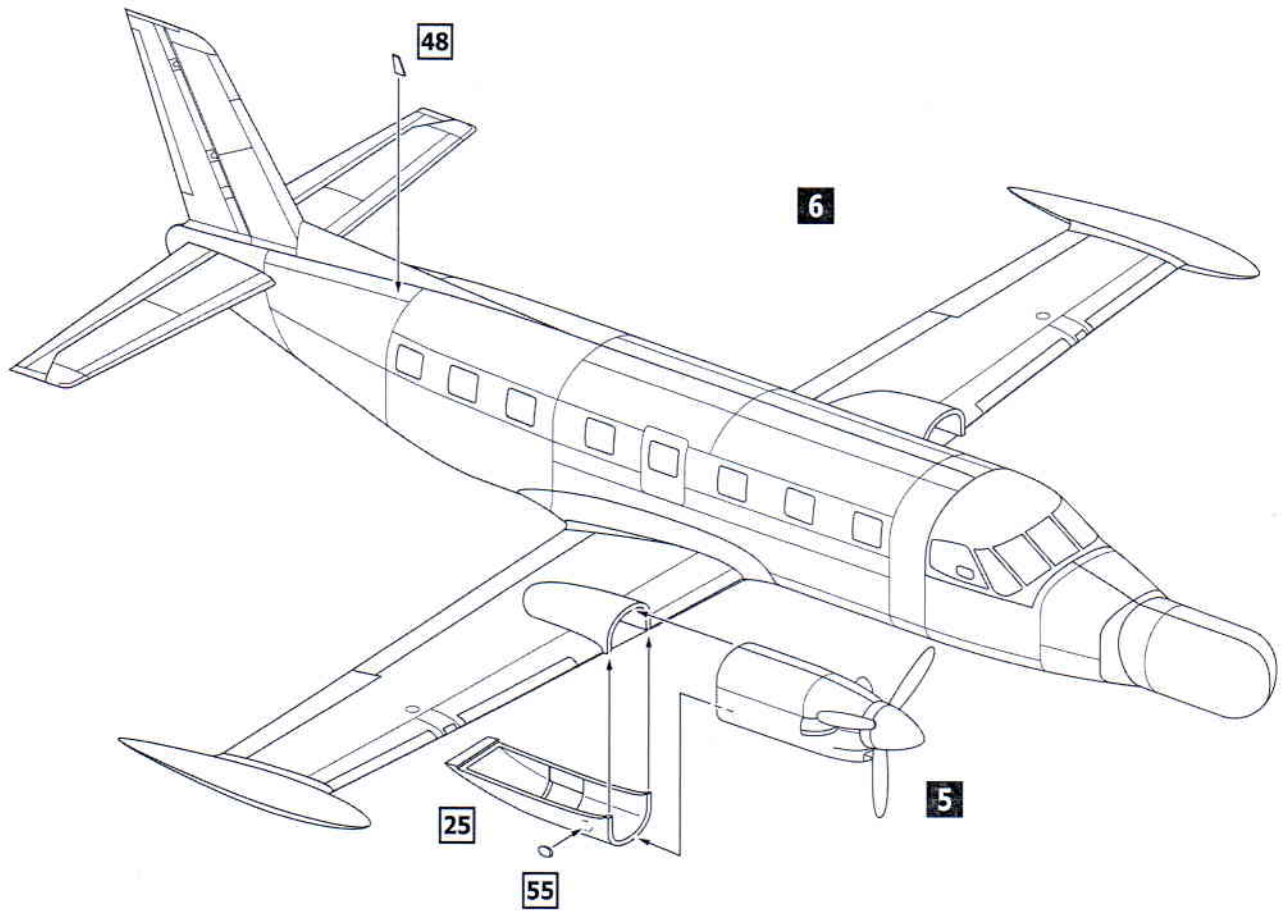
ASSEMBLY INSTRUCTION



- 6**
- 3**
- 5**
- 6**
- 7**
- 8**
- 10**
- 15**
- 17**
- 63**
- 80** x2



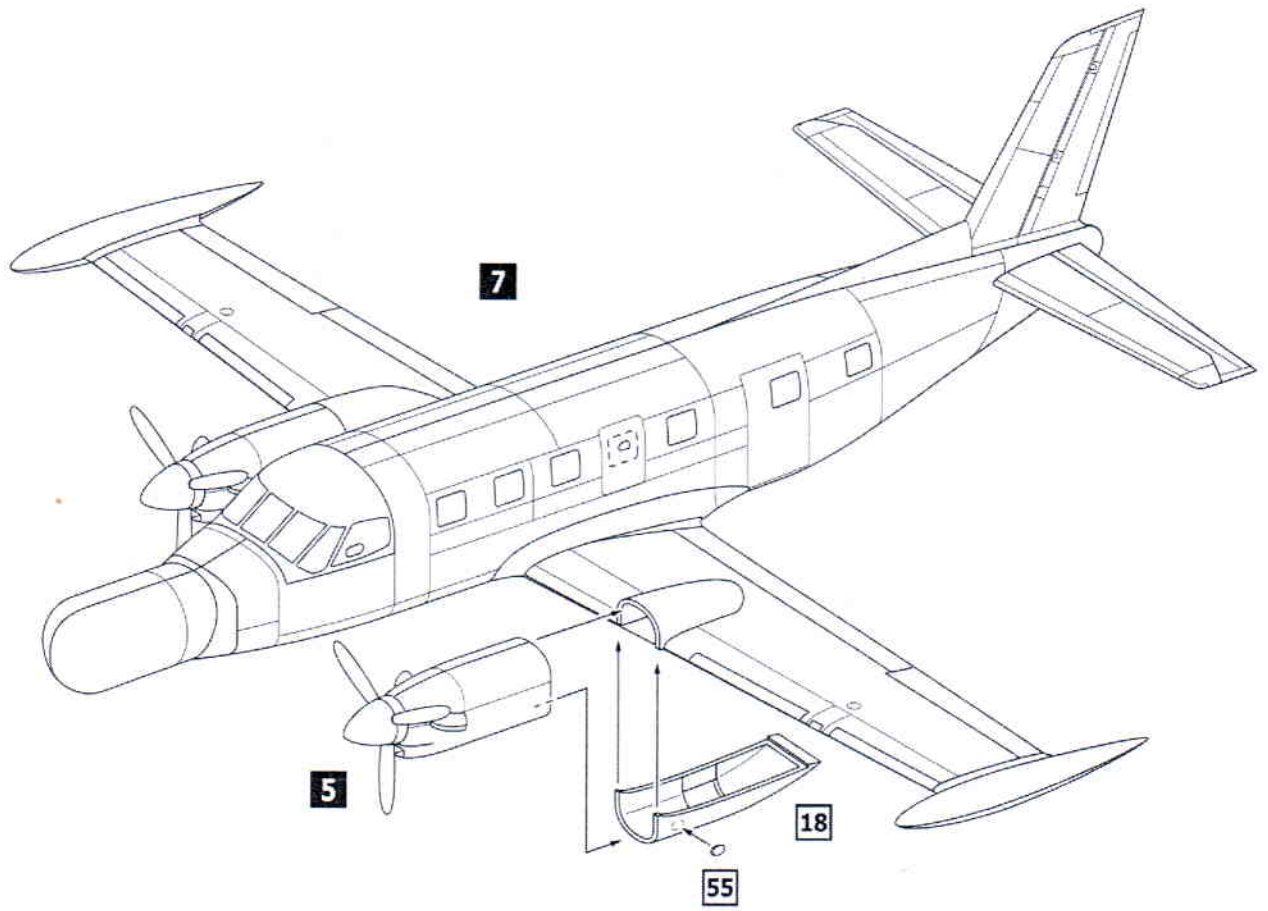
- 7**
- 5**
- 6**
- 25**
- 48**
- 55**



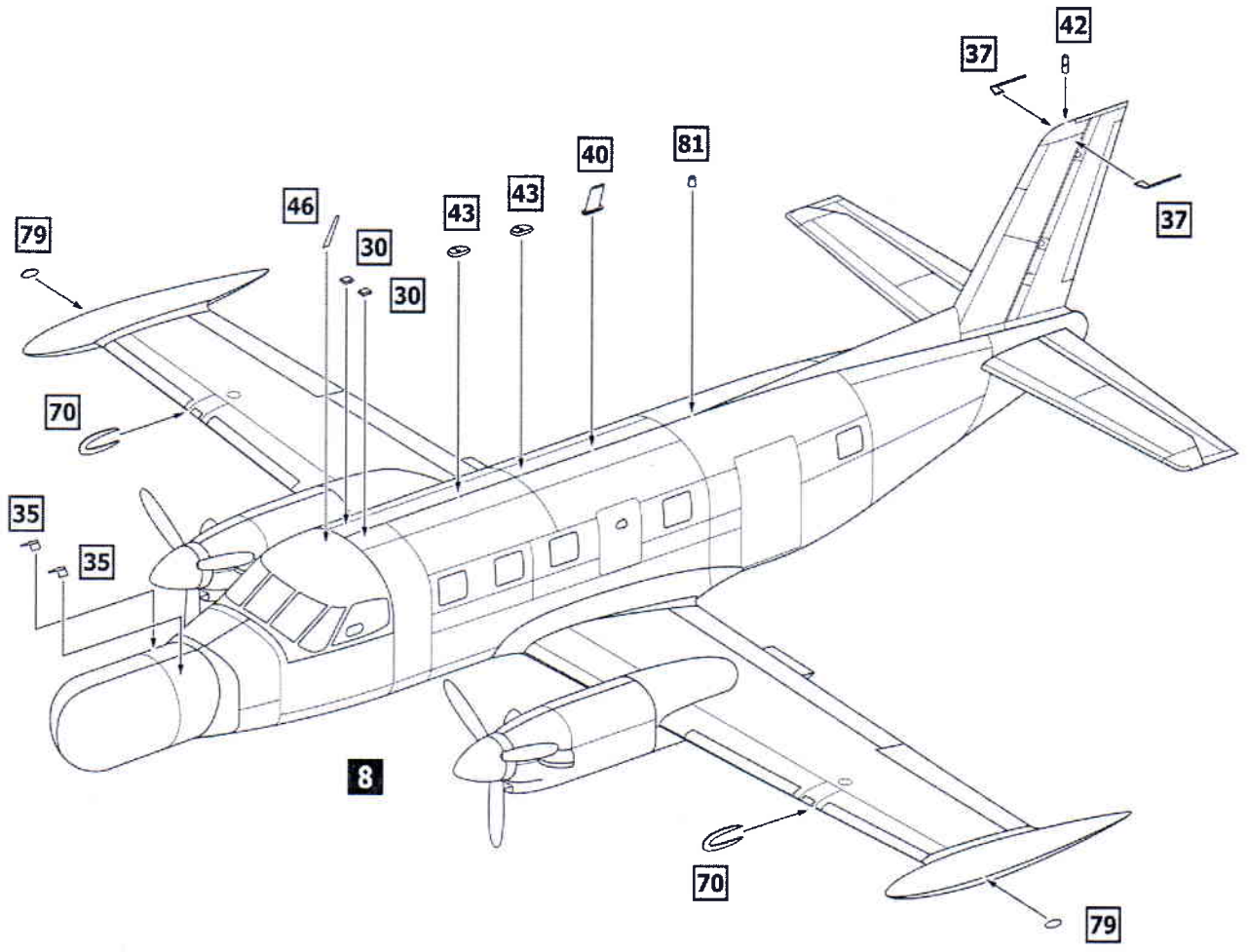
ASSEMBLY INSTRUCTION



- 8**
- 5**
- 7**
- 18**
- 55**



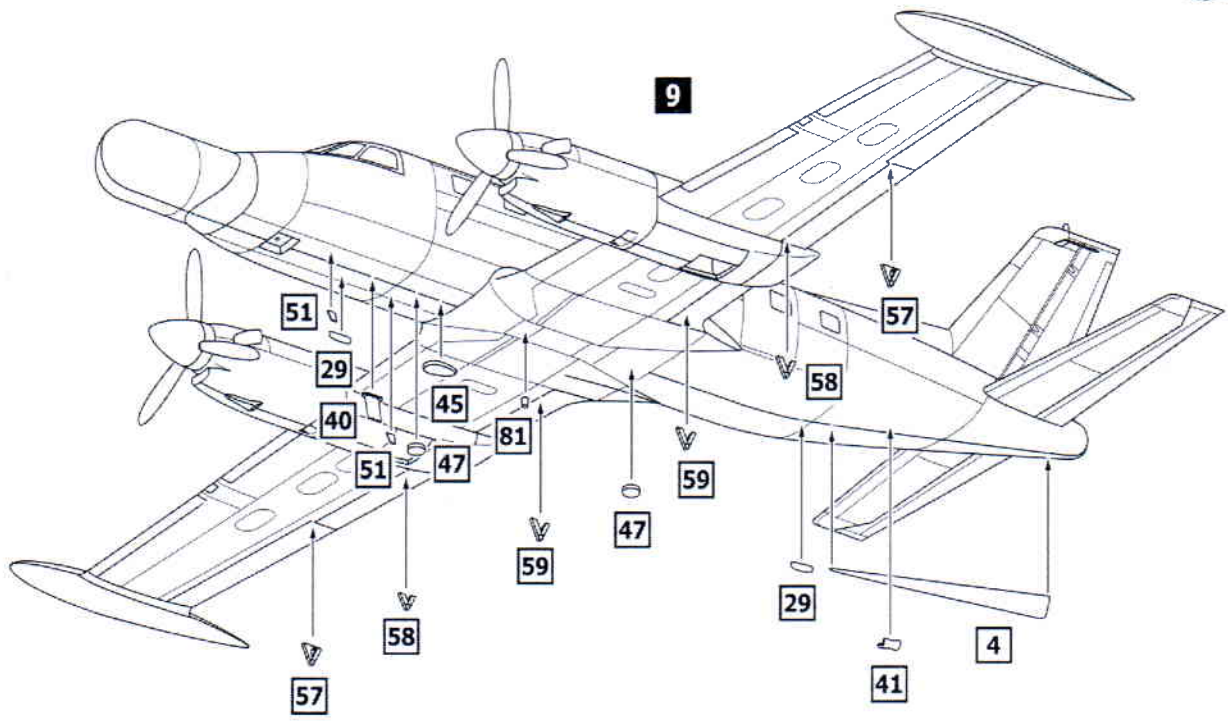
- 9**
- 8**
- 30** x2
- 35** x2
- 37** x2
- 40**
- 42**
- 43** x2
- 46**
- 70** x2
- 81**
- 79** x2



ASSEMBLY INSTRUCTION

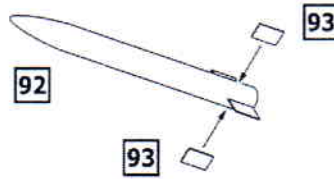


- 10**
- 9**
- 4**
- 29** x2
- 40**
- 41**
- 45**
- 47** x2
- 51** x2
- 57** x2
- 58** x2
- 59** x2
- 81**

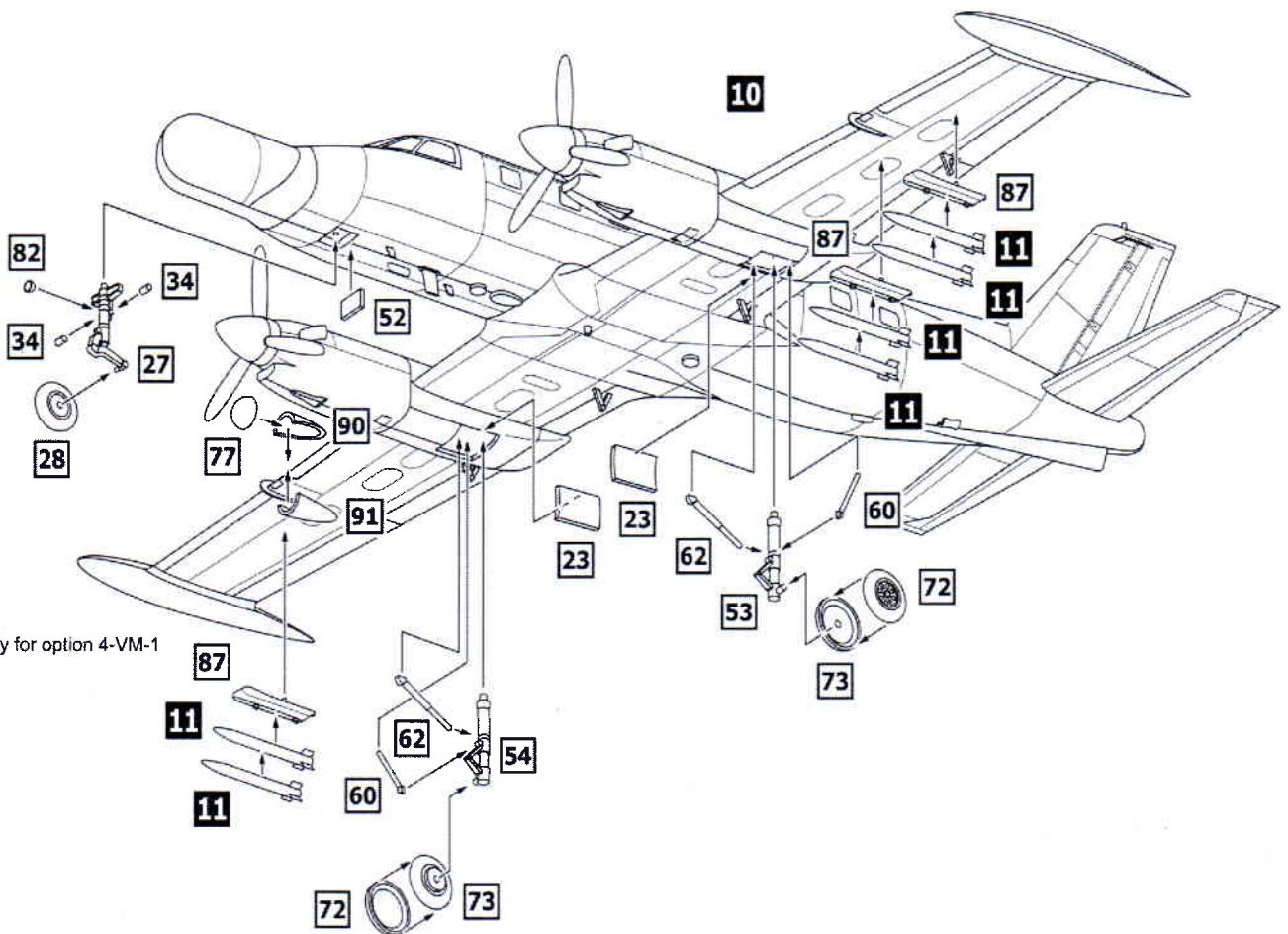


- 11** x6
- 92** x6
- 93** x12

Only for option 4-VM-1

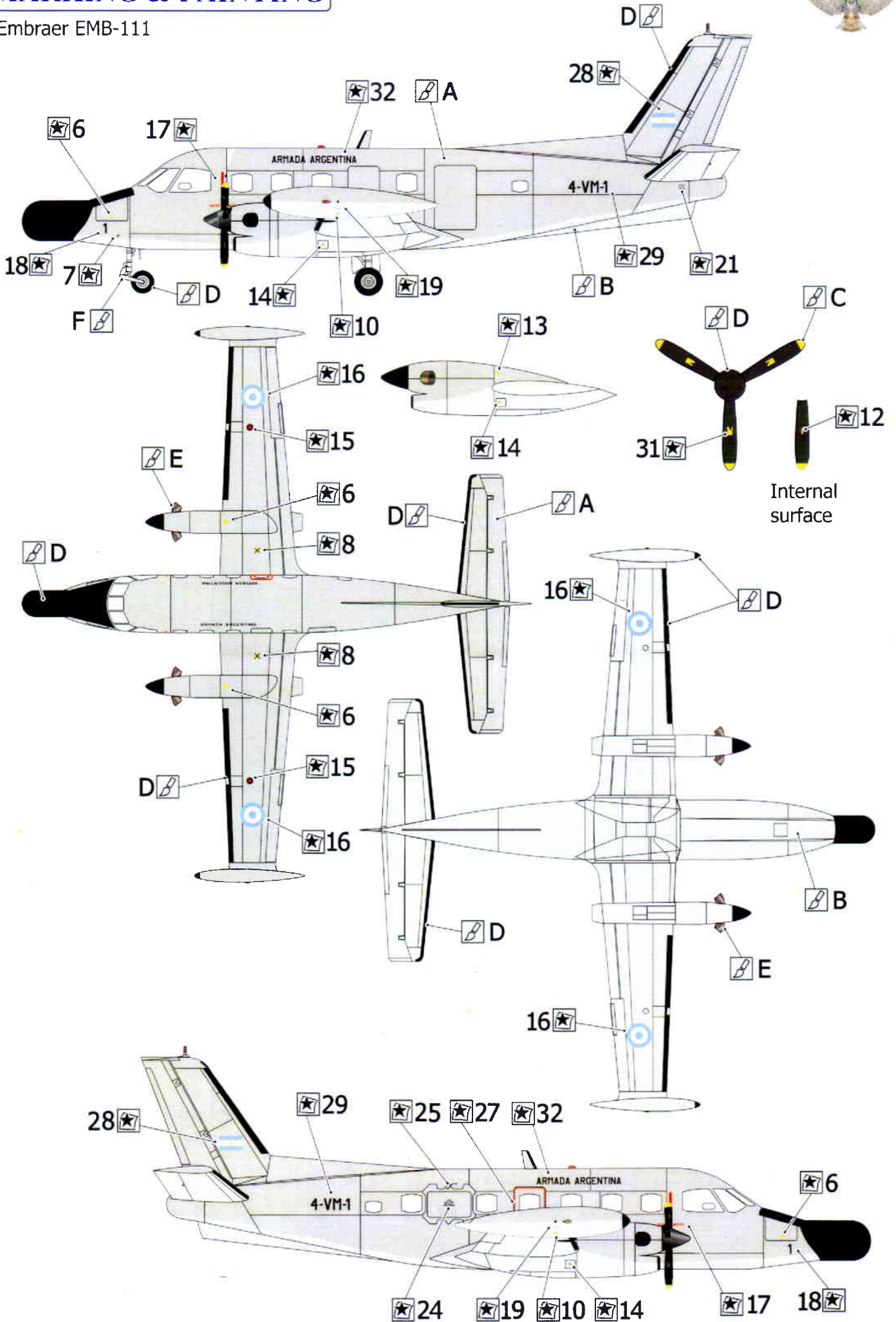


- 12**
- 10**
- 11** x6
- 23** x2
- 27**
- 28**
- 34** x2
- 52**
- 53**
- 54**
- 60** x2
- 62** x2
- 72** x2
- 73** x2
- 82**
- 87** x3 Only for option 4-VM-1
- 77**
- 90**
- 91**



MARKING & PAINTING

Embraer EMB-111



MARKING & PAINTING

Embraer EMB-111

