

注意事項 CAUTION 組み立てのご注意

- (1) 勿于近火处使用胶水或油漆, 并打开窗户保持空气流通。
- (2) 涂料的号码请参考本栏以下的说明。本品本身不包括胶水和涂料。
- (3) 自板件中取出部件时, 应用模型专用剪, 并用介刀或小铰除去多余胶料。
- (4) 各图形的含义可参考本栏以下说明。

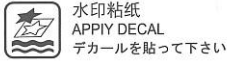
- (1) When you use glue or paint, do not use near a open flame, and use in a well-ventilated room.
- (2) See below for the color list. Glue and paint are not included in the kit.
- (3) When you take parts off the runner frame, use the modeling scissors and trim excess plastic with a cutter or a file.
- (4) See below for the meaning of symbols.

- (1) 接着剤や塗料は火の近くで使わないで下さい、使用の際は換気をよくして下さい。
- (2) 塗料指定のは下記のとおりです、接着剤や塗料は入っていないので別に求めて下さい。
- (3) 部品のランナーから切り離す時は模型用ハサミ等を使い、余分な部分はカッターやヤスリ等で仕上げして下さい。
- (4) 組立図のサインマークは下の説明を御覧下さい。

图形含义 CAUTION マーク



填平
FILL HOLE
穴を埋めて下さい



水印粘紙
APPIY DECAL
デカールを貼って下さい



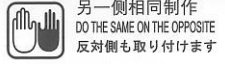
切除
CUT OFF
切り取って下さい



弯折
BEND
折り曲げて下さい



制作两组
MAKE TWO SET
2個作って下さい



另一側相同制作
DO THE SAME ON THE OPPOSITE
反対側も取り付けます



胶水
CEMENT
接着して下さい



钻孔
OPEN HOLE
穴を開けて下さい



选择使用
OPTIONAL
どちらを選んで下さい



不用胶水
NO CEMENT
接着しないで下さい

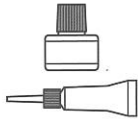


注意
BE CAREFUL
注意して下さい



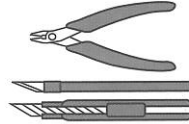
瞬间胶
INSTANT GLUE FOR METAL
瞬間接着剤(金属用)

所使用工具 RECOMMENDED TOOLS 専用工具



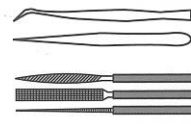
塑胶件用模型胶水
Cement
プラスチック用接着剤

模型用瞬间胶水
Instant Cement
瞬間接着剤



模型用剪钳
Side cutters
模型用ニッパー

模型用刻刀
Modeling knife
模型用ナイフ



模型用镊子
Tweezers
ピンセット

模型用锉刀
Diamond file
模型用ヤスリ

水贴纸使用说明 DECAL APPLICATION スライドマークの貼り方

- (1) 用模型剪刀或刻刀切下所需的图案部分。
- (2) 将水贴纸浸泡在温水中10秒左右取出放置于戏水的干布上。
- (3) 手拿着水贴纸基的一角, 用模型镊子小心夹住浮起的水贴图案移至模型表面准确位置。
- (4) 用手指适当沾水均匀涂于水贴图案表面, 使其延展移动至精确位置。
- (5) 用柔软吸水的干布将水贴图案中的气泡向一边挤出, 使水贴在模型表面保持平整。

- (1) Cut off decal from sheet.
- (2) Dip the decal in tepid water for about 10 sec. and place on a clean cloth.
- (3) Hold the backing sheet edge and slide decal onto the model.
- (4) Move decal into position by wetting decal with finger.
- (5) Press decal down gently with a soft cloth until excess water and air bubbles are gone.

- (1) 貼りたいマークをハサミで切り抜きます。
- (2) マークをぬるま湯に10秒ほど浸してからタオル等の布の上に置きます。
- (3) 台紙のはしを手で持ち、貼るところにマークをスライドさせてモデルに移して下さい。
- (4) 指に少し水を付けてマークを濡らしてながら、正しい位置にずらしします。
- (5) 柔らかな布でマークの内側の気泡を押し出しながら、押しつけるようにして水分をとります。

蚀刻片使用说明 PHOTO-ETCHED PARTS エッチングパーツ

- (1) 使用蚀刻片专用剪刀或模型专用刻刀将蚀刻片零件切割下待用。
 - (2) 切割下的零件上有蚀刻片的残留连接点部分, 使用模型专用锉刀细心打磨干净。
 - (3) 蚀刻片部分在涂装之前必须使用专用的模型金属底漆打底。
- 注意事项: 蚀刻片很薄外延较为尖锐, 有刮伤手的可能, 在使用之时请务必小心。

- (1) Cut off photo-etched parts using a modeling knife.
 - (2) Carefully remove any excess using a file.
 - (3) Apply metal primer prior to painting.
- Attention, please: Extra care should be taken to avoid personal injury when handling photo-etched parts.

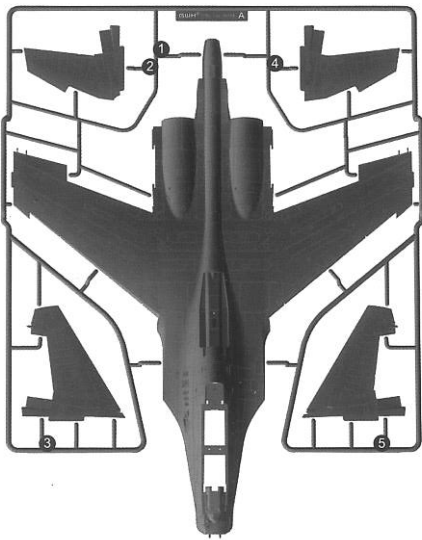
- (1) 切り離す時はカッターナイフを使用してパーツを切り離します。
 - (2) 切り出した時、部品に出張った部品が残っている場合は、ヤスリなどで丁寧に削り落とします。
 - (3) 塗装が必要なパーツは下地にメタルプライマーを吹きつけてから塗装します。
- ご注意: エッチングパーツは大変薄く、手などを切り恐れがあります。取扱には十分注意して下さい。

涂装色表 PAINT REQUIRED カラー番号リスト

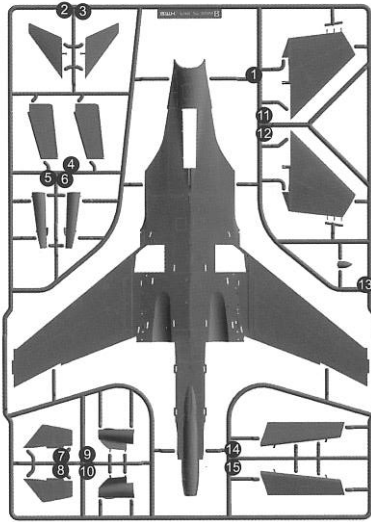
■ [C100] GSI CREOS Mr.COLOR ■ [00-00] ACRYLICOS VALLEJO

[C1] 亮光白 White	[C20] 浅蓝 Light blue	[C50] 透明蓝 Clear blue
[C2] 亮光黑 Black	[C25] 暗海蓝 Dark sea blue	[C55] 卡其色 Khaki
[C3] 亮光红 Red	[C28] 黑铁色 Black iron	[C60] RLM02灰 Rlm02 grey
[C4] 亮光黄 Yellow	[C31] 军舰灰 Warship ash	[C61] 烧铁色 Burnt iron
[C5] 亮光蓝 Blue	[C33] 消光黑 Extinction black	[C62] 消光白 Extinction white
[C8] 亮光银 Silver	[C35] 明灰白 Bright gray	[C65] 亮光蓝 Light blue
[C10] 金属铜 Copper	[C45] 帆布色 Canvas	[C73] 飞机灰 Aircraft Grey
[C13] 中灰 Grey	[C47] 透明红 Clear red	[C74] 天空蓝 Sky blue
[C79] 朱红色 Red	[C308] 灰FS36375 Grey FS36375	[C337] 灰蓝色 Grey blue
[C92] 半光黑 Semi Gloss Black	[C311] 棕FS30219 Brown FS30219	[C338] 淡灰FS36495 Grey FS36495
[C100] 亮光褐 Bright brown	[C316] 光泽白FS17875 Glossy white FS17875	[C363] 中海灰色 Sea grey
[C117] RLM76浅蓝 Rlm76 light blue	[C318] 浅土黄 Light earthy yellow	[C392] 机体内部蓝色 Aircraft Blue
[C136] 草绿色 Grass green	[C319] 薄松叶色 Pine leaf	[GX109] 超级透明棕 Super clear brown
[C137] 轮胎黑 Tire black	[C323] 淡蓝色 Light blue	[SM201] 超级银色 Super Silver
[C301] 灰FS36081 Grey FS36081	[C324] 浅灰色 Light grey	[SM203] 超级铁色 Super Iron
[C305] 灰FS36118 Grey FS36118	[C333] 海灰色 Sea grey	[SM206] 超级烙铁色 Super soldering iron

A Part × 1



B Part × 1



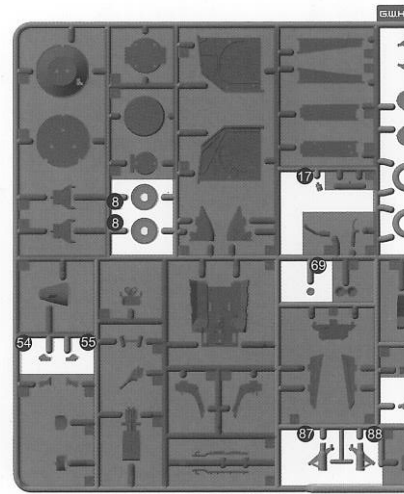
H1 Part × 1



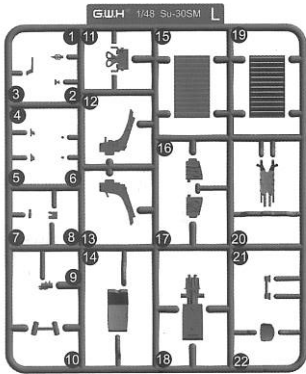
H2 Part × 1



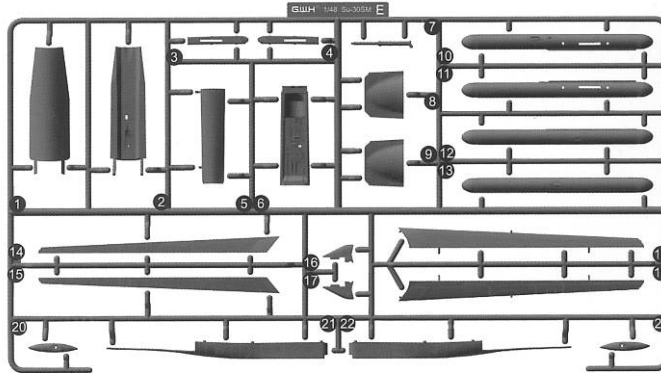
C Part × 1



L Part × 2



E Part × 1



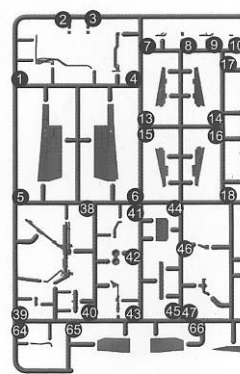
K Part × 1



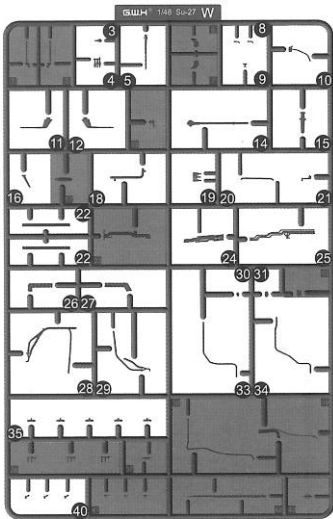
J Part × 1



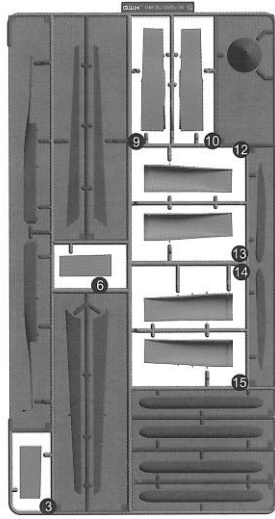
I Part × 1



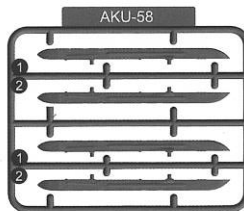
W Part × 1



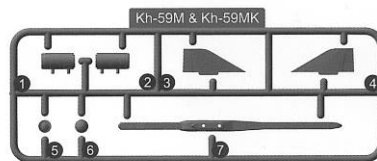
G Part × 1



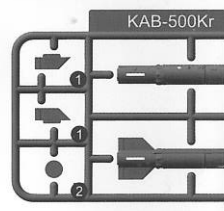
AKU-58 Part × 3



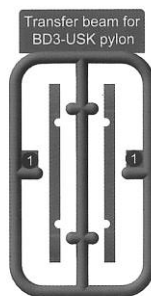
Kh-59 Part × 4



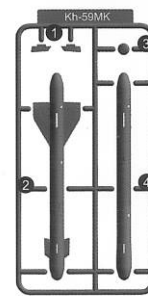
KAB-500Kr Part × 1



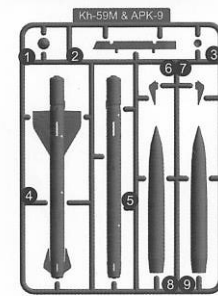
TBD3 Part × 4



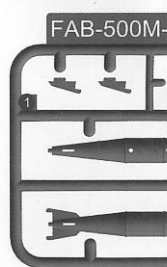
Kh-59MK Part × 2



Kh-59M & APK-9 Part × 2



FAB-500M-6



P Part × 4



O Part × 4



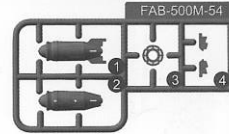
Kh-59M Part × 1



KAB-500Kr Part × 1



FAB-500M-54 Part

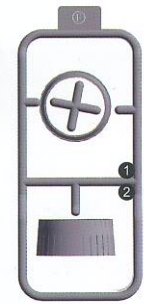
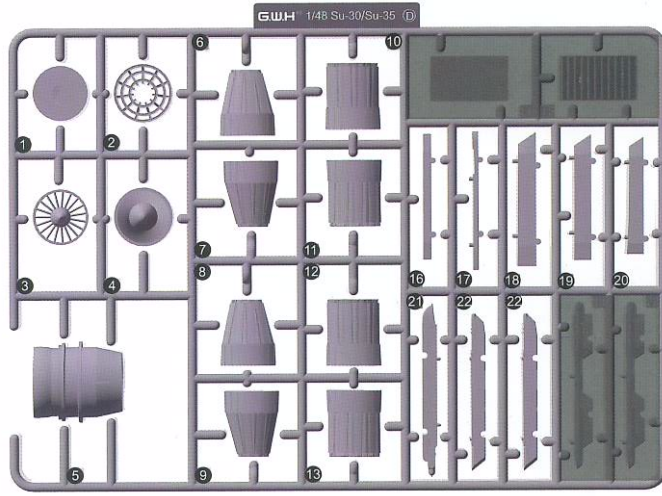
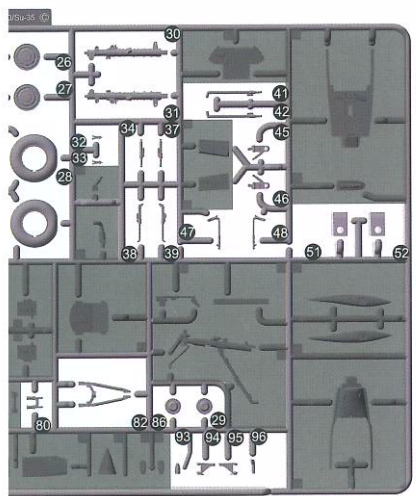


D Part × 2

F Part × 2

T Part × 2

S Part × 1

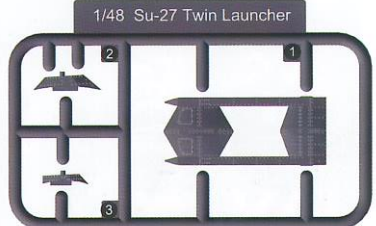
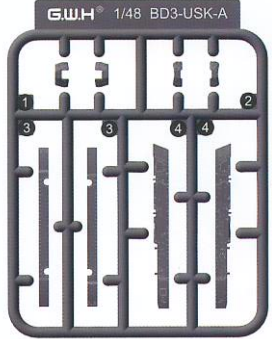
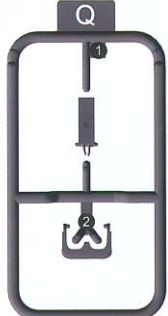
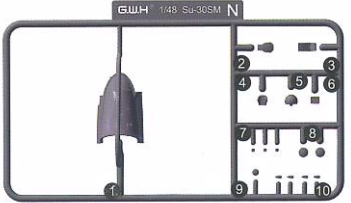
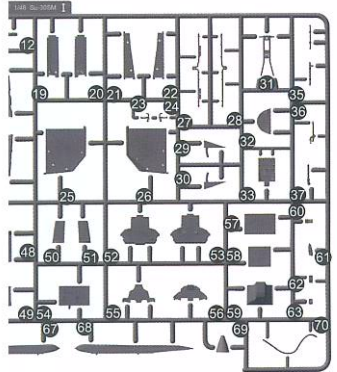


N Part × 1

Q Part × 1

BD3-USK Part × 8

Twin Launcher Part × 4



M Part × 1

R Part × 1



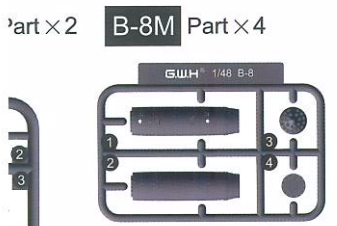
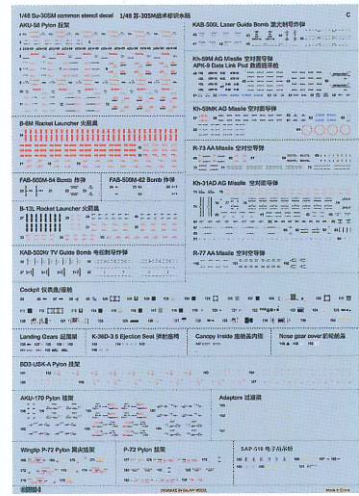
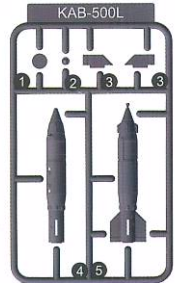
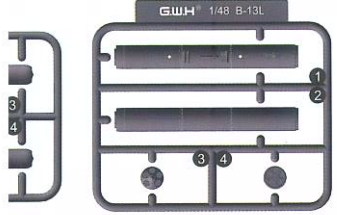
B-13L Part × 4

KAB-500L Part × 2

Decal A

Decal C

Film

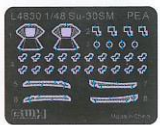
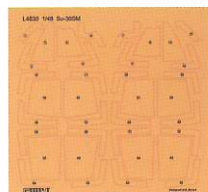
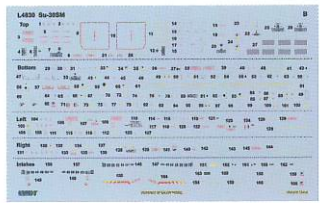
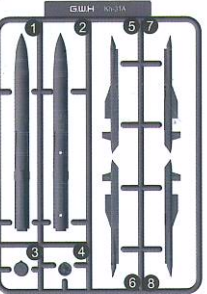
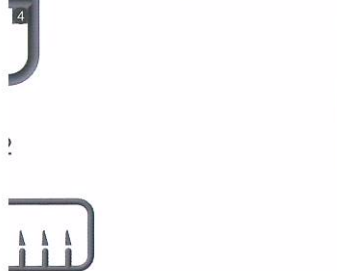


Kh-31AD Part × 2

Decal B

Pre-cut masking tape for windshield canopy

PE A



阴影零件不使用
DO NOT USE THE SHADOW PARTS

A 苏-30SM “蓝色45”RF-91813 俄罗斯空军
Su-30SM "Blue 45" RF-91813 Russian VKS



B 苏-30SM “红色28”RF-95866 俄罗斯空军
Su-30SM "Red 28" RF-95866 Russian VKS



C 苏-30SM “红色26”RF-93670 俄罗斯空军
Su-30SM "Red 26" RF-93670 Russian VKS



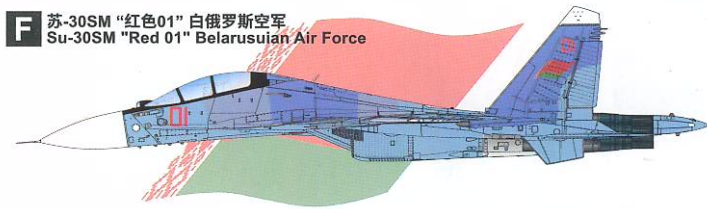
D 苏-30SM “蓝色43”RF-33736 “塞瓦斯托波尔”号 俄罗斯海军航空兵
Su-30SM "Blue 43" RF-33736 "Sevastopol" Russian Navy



E 苏-30SM “蓝色77”RF-81881 “加里宁格勒”号 俄罗斯海军航空兵
Su-30SM "Blue 77" RF-81881 "Kaliningrad" Russian Navy



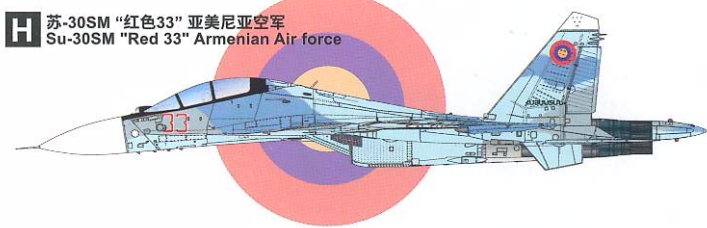
F 苏-30SM “红色01” 白俄罗斯空军
Su-30SM "Red 01" Belarusian Air Force



G 苏-30SM “红色09” 哈萨克斯坦防空军
Su-30SM "Red 09" Kazakh Air Defense Force



H 苏-30SM “红色33” 亚美尼亚空军
Su-30SM "Red 33" Armenian Air force



Special thanks to design supervisors Mr. Yufei Mao and Mr. Smal'kov Vitaly Nikolaevich

苏-30SM是安装矢量推力发动机的苏-30MKI的升级版,由伊尔库特公司生产(SM为俄语Serijnyi Modernizirovannyi,“Serial Modernized”即升级量产型的缩写),北约代号为“侧卫-H”。

苏-30SM被认为是第4代+战斗机,根据俄罗斯军方对雷达、无线电通信系统、敌我识别系统、弹射座椅、武器和其他系统的要求进行了升级。它配备了N011M“豹”雷达,最大探测距离为400公里,搜索范围距离为200公里,使用广角HUD、相控阵天线、全动水平尾翼和矢量推力发动机以实现超机动性。该机可使用各种武器,包括空对空/空对地导弹以及制导/非制导炸弹,挂载重量高达8吨,可在对地面目标发起攻击的同时牢固掌握战场制空权。它还配备了单管30毫米GSh-30-1航炮并具备空中加油能力。此外,该机可在翼尖上安装SAP-518电子战吊舱用于电子对抗,通过制造虚假目标、干扰雷达和导弹的搜索制导能力来压制敌方战斗机和地面/海上防空系统,保护飞机免受各种空空和地空导弹的攻击。

由于俄罗斯国防部对出口型苏-30MKI的性能印象深刻,因此分别于2012年3月和12月分两批订购了总共60架苏-30SM战斗机。2012年9月21日,苏-30SM进行了首飞,俄罗斯空军于2012年11月22日接收了首批2架。此后,俄国防部于2016年4月追加订购了36架,其中6架用于俄罗斯海军航空兵。该机也出口至前独联体国家,包括白俄罗斯、哈萨克斯坦、亚美尼亚等国。

2015年9月,俄罗斯首次向位于叙利亚拉塔基亚的巴塞尔阿萨德国际机场派遣了4架苏-30SM战斗机。到2015年12月下旬,赫梅明空军基地总共部署了16架苏-30SM。

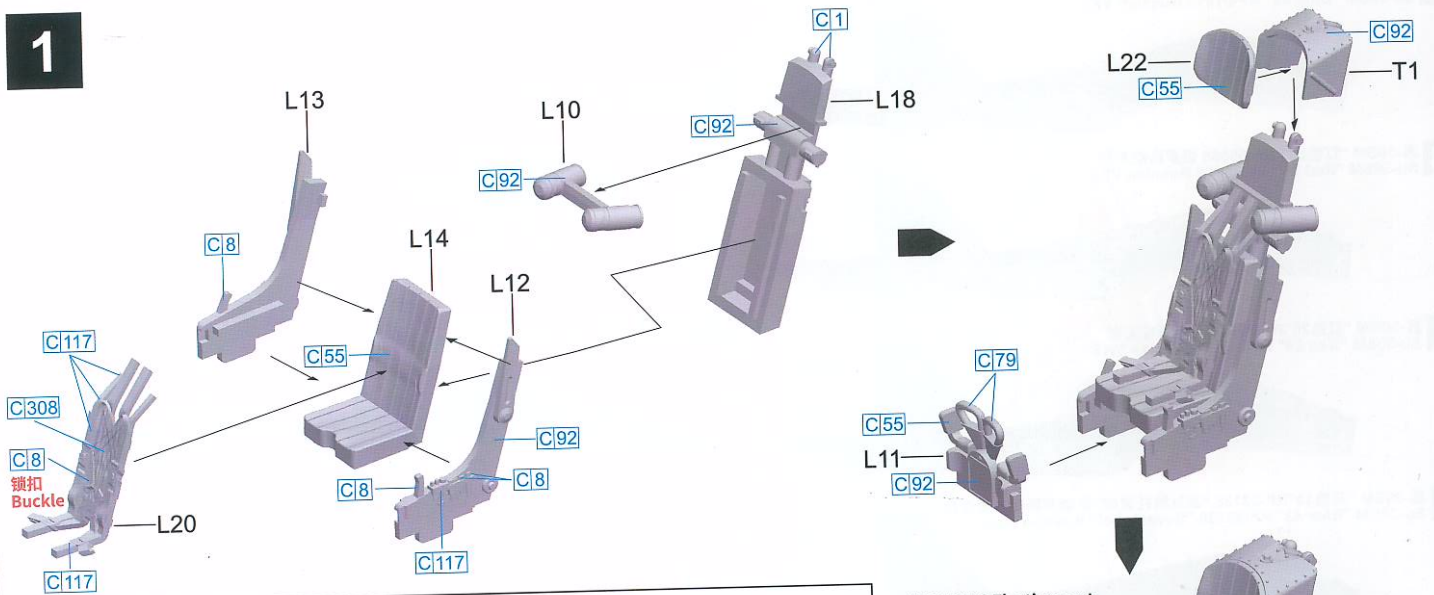
Su-30SM is a specialized version of the thrust-vectoring Su-30MKI for the Russian Air Force, produced by the Irkut Corporation (SM for Serijnyi Modernizirovannyi - "Serial Modernized"), NATO reporting name "Flanker-H".

Su-30SM is considered a 4+ generation fighter jet, which has been upgraded according to Russian military requirements for radar, radio communications systems, friend-or-foe identification system, ejection seats, weapons, and other aircraft systems. It is equipped with the N011M Bars radar with a maximum detection range 400 km, search range 200 km using a phased array antenna, frontal horizontal fins and steerable thrusters for super maneuverability as well as with wide-angle HUD. The aircraft can be used to gain air supremacy same as for targeting adversary on the ground using wide range of weapons including air-to-air, air-to-surface and guided and unguided bombs with total weapons weight up to 8,000 kg. It is also equipped with the one barrel, 30 mm GSh-30-1 auto cannon. To ensure operations at major distances from airfield, the ability of in-flight refueling (IFR) is included. Besides that, for electronic warfare purposes two SAP-518 jamming pods can be fitted on the wing tips. The SAP-518 is designed to protect the aircraft from various air-to-air and surface-to-air missiles by creating false targets, jamming missile's guidance, enemy aircraft radars or ground and sea borne air defense.

Russian Defense Ministry was impressed with the export Su-30MKI's performance envelope and ordered a total of 60 Su-30SM fighters, under two contracts signed in March and December 2012, respectively. On 21 September 2012, the Su-30SM performed its maiden flight and Russian Air Force has received first two serial aircraft on 22 November 2012. Another 36 aircraft were ordered in April 2016, six of which intended for the Russian Naval Aviation.

In September 2015, Russia has deployed for the first time 4 Su-30SM fighters to the Bassel Al-Assad International Airport in Latakia, Syria. In late December 2015, there were 16 Su-30SMs at Khmeimim Air Base. Su-30SM is also exported to former CIS countries, including Belarus, Kazakhstan, Armenia, etc..

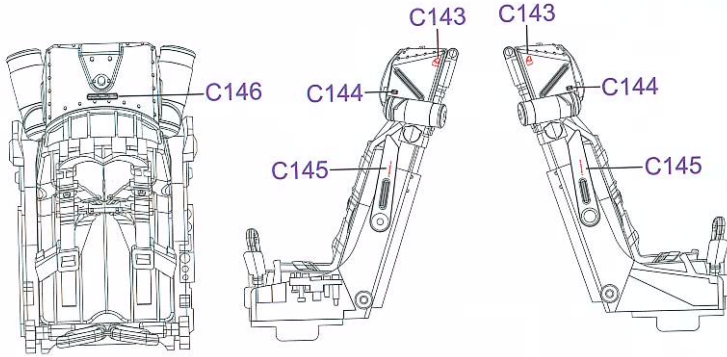
1



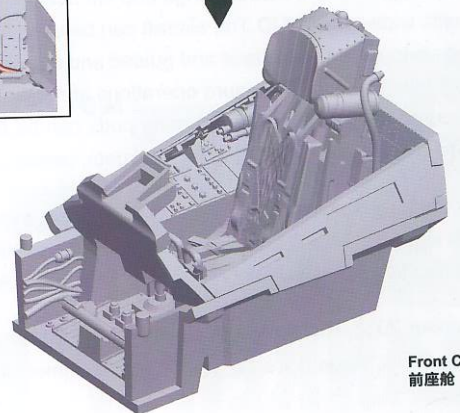
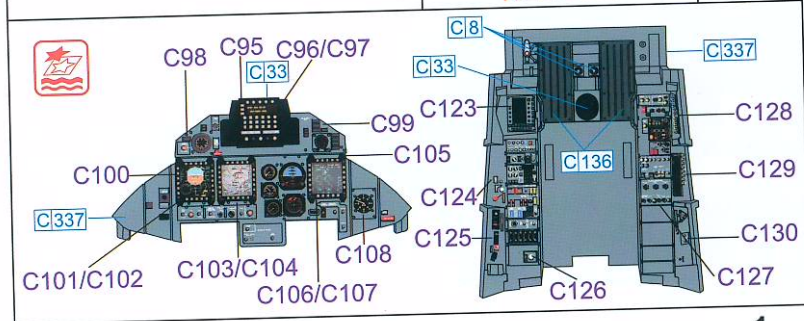
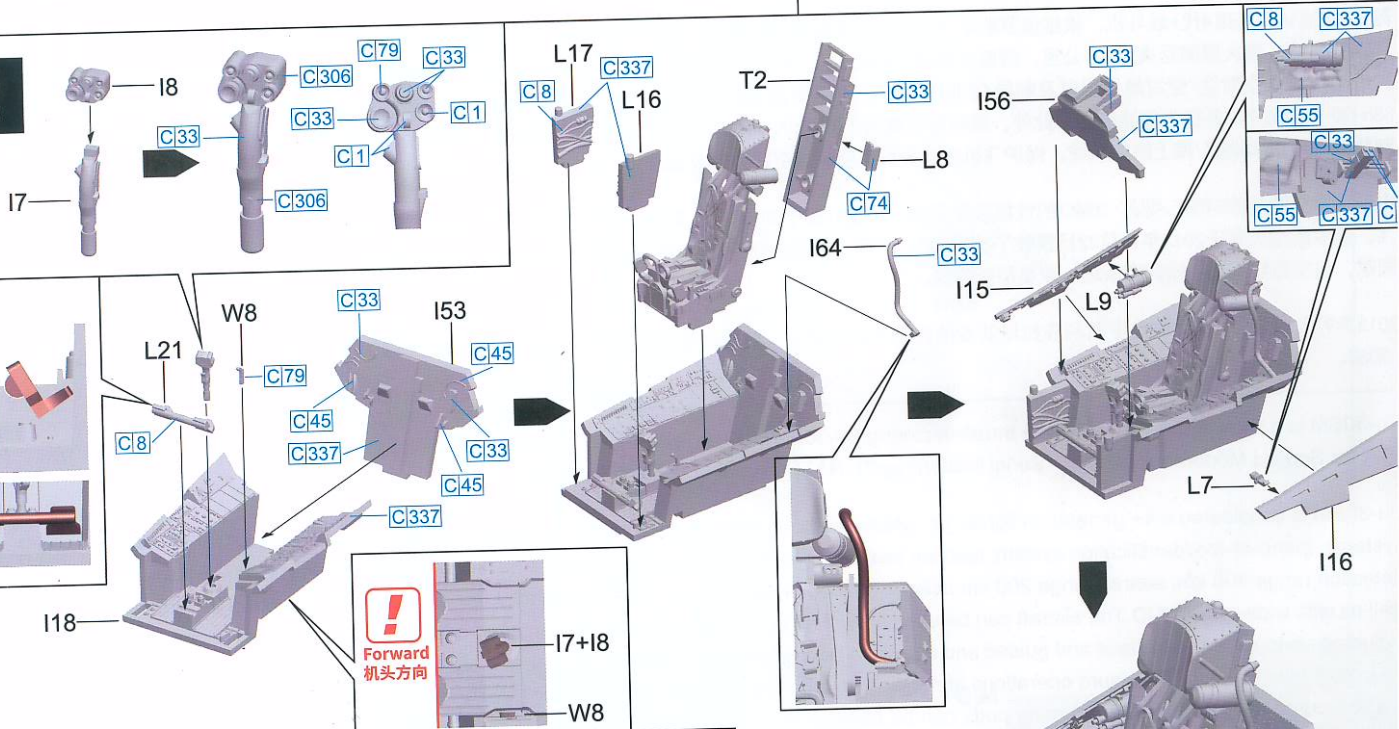
K-36D-3.6 Ejection seat
K-36D-3.6弹射座椅



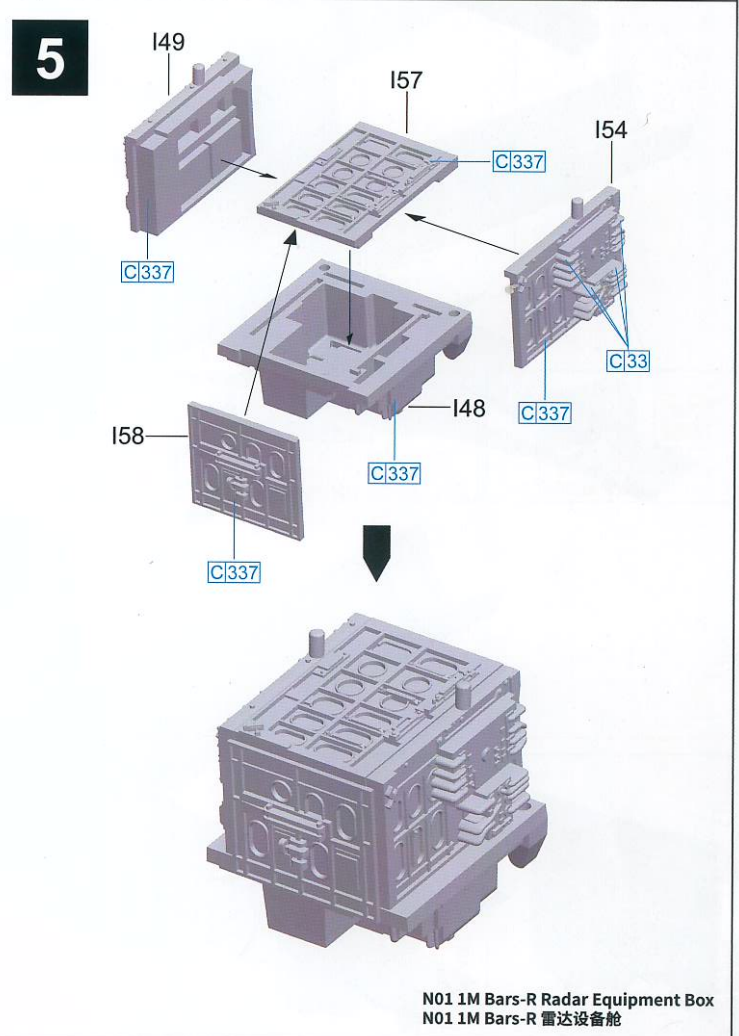
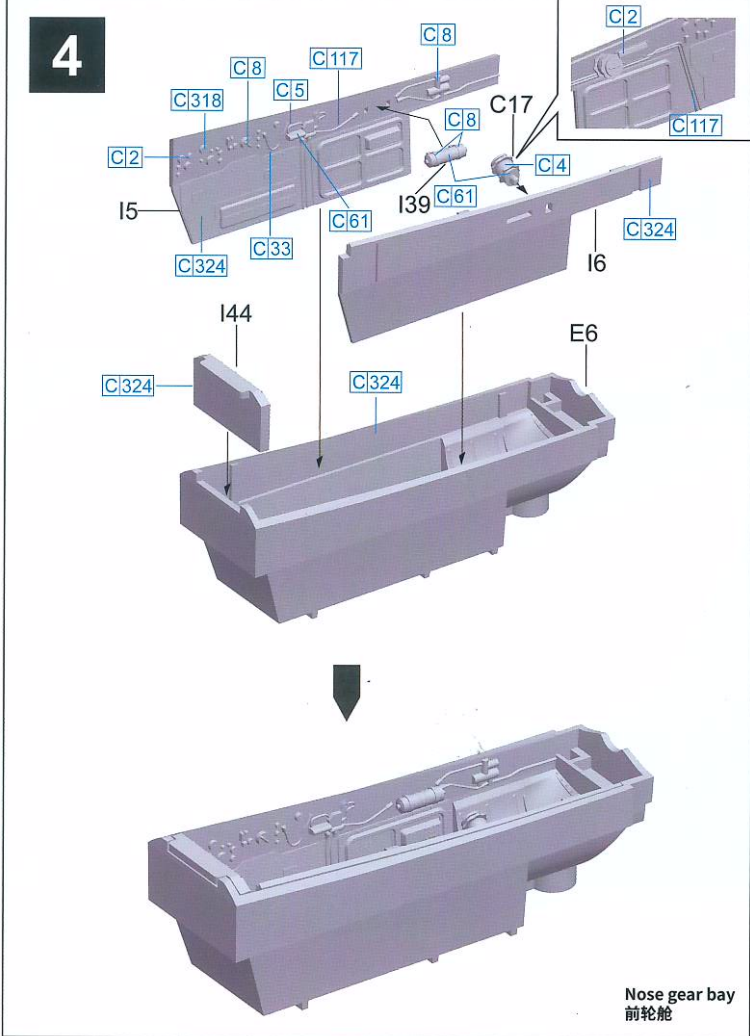
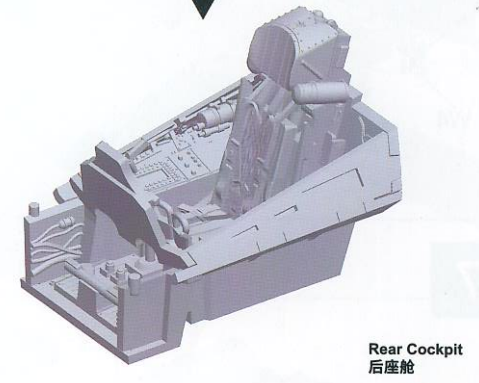
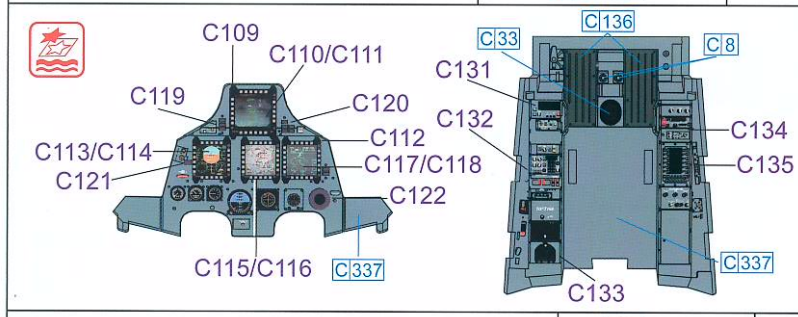
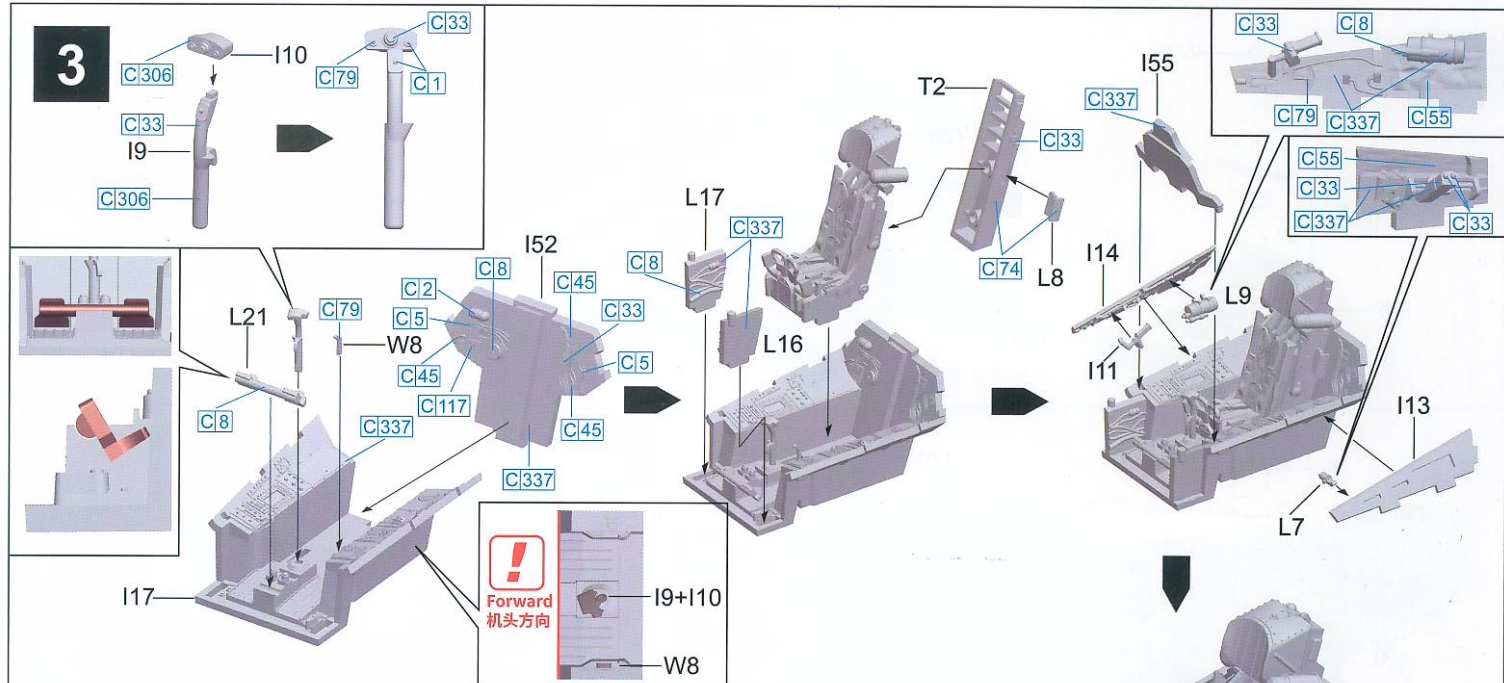
x2



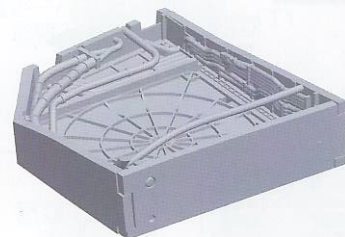
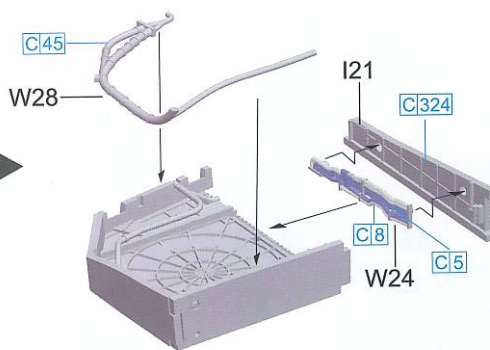
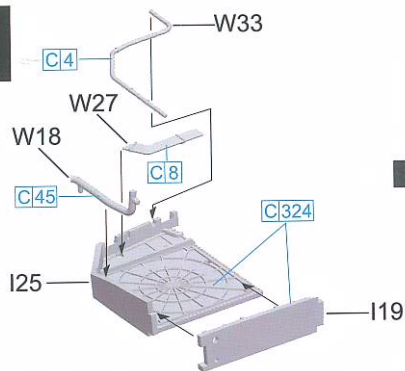
2



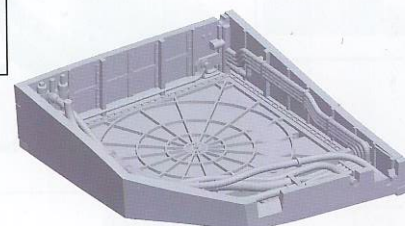
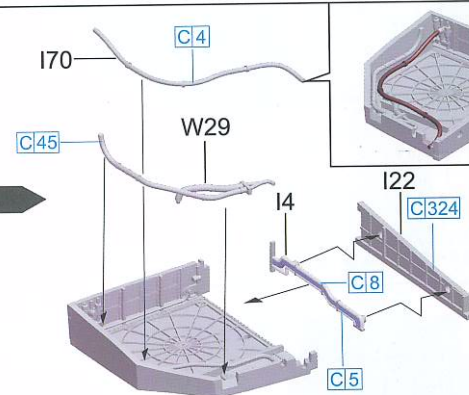
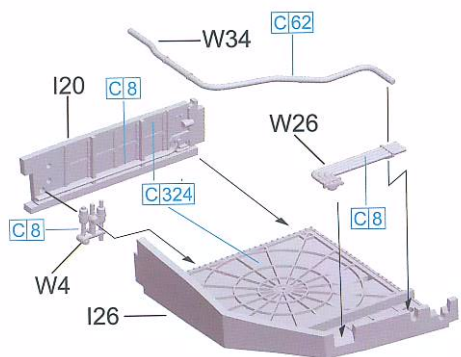
Front Cockpit
前座舱



6

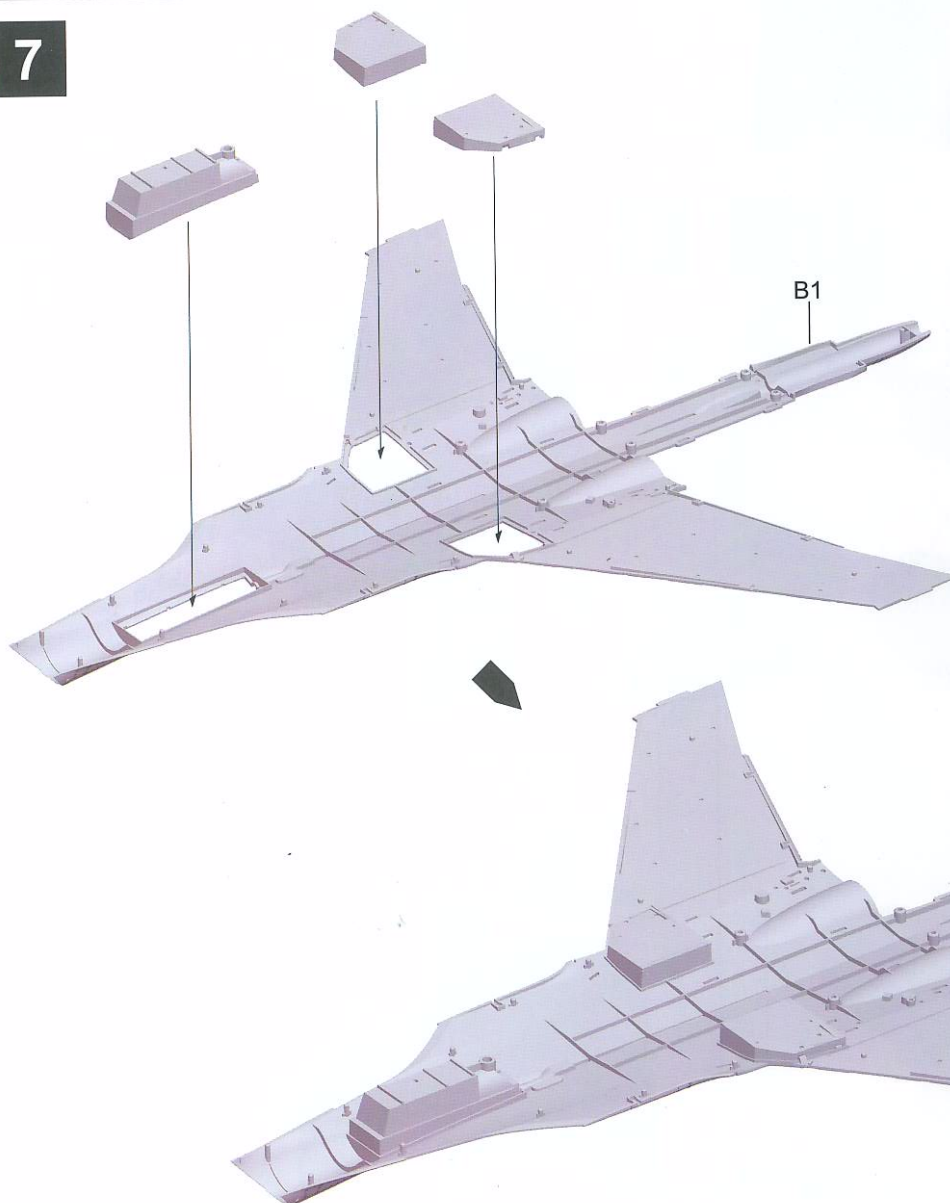


Left Main Wheel Bay
左主起落架舱



Right Main Wheel Bay
右主起落架舱

7



Ø1.3mm

Open Hole Only For Radome Opening Position
钻孔 (仅限打开雷达罩状态)

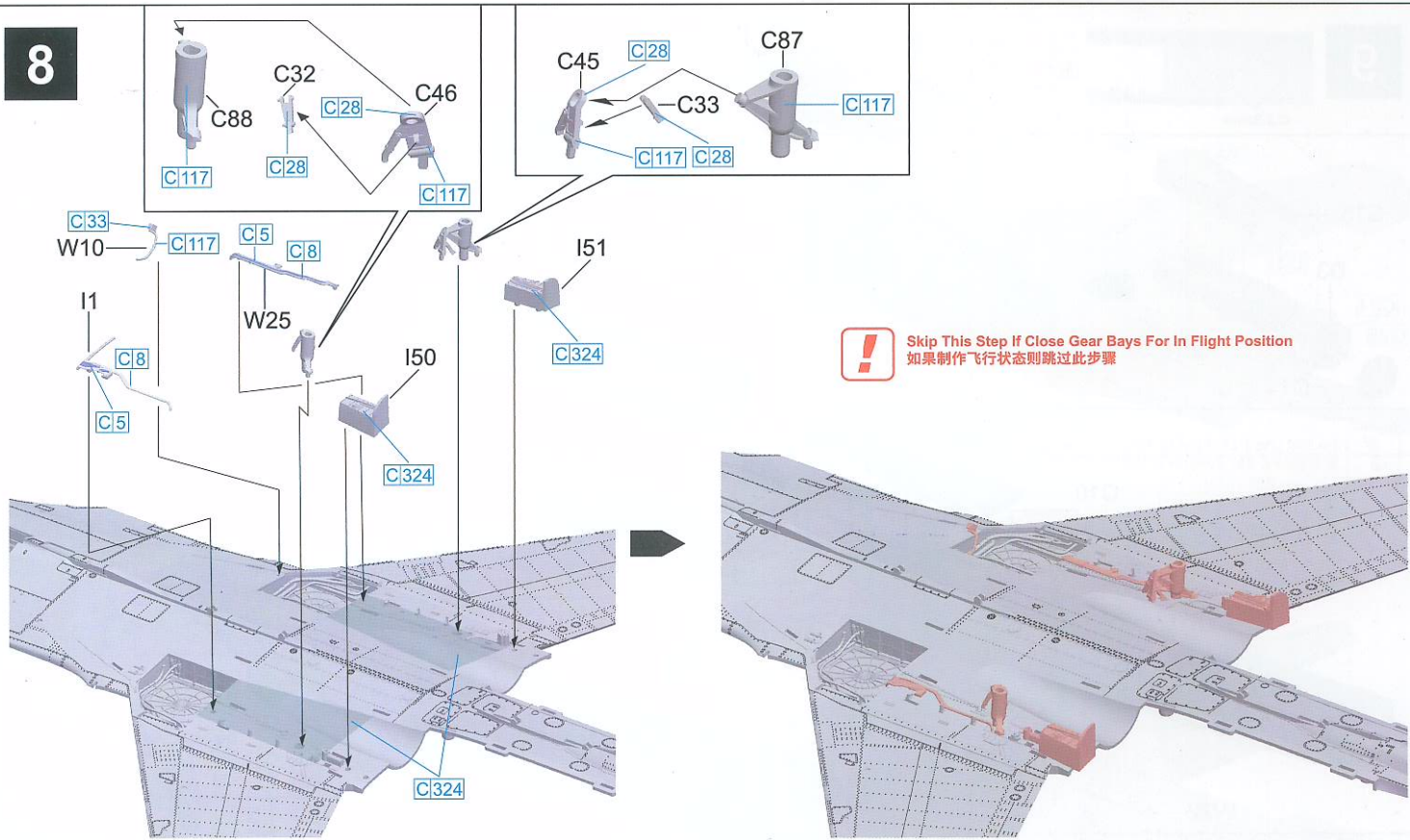
Ø1.3mm

Ø1.3mm

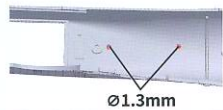
Ø1.3mm

Open Holes Only To Install Weapon Pylons
钻孔 (仅限使用外挂武器挂架状态)

8

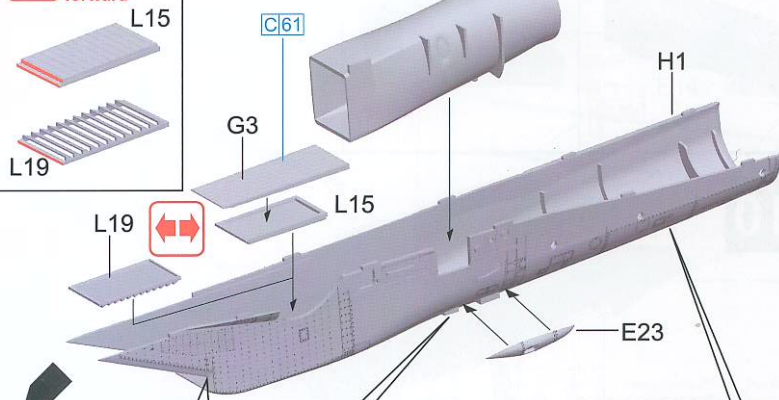
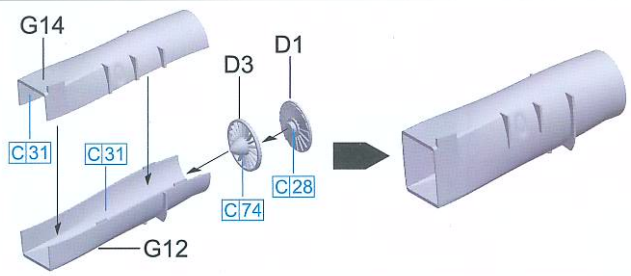


9

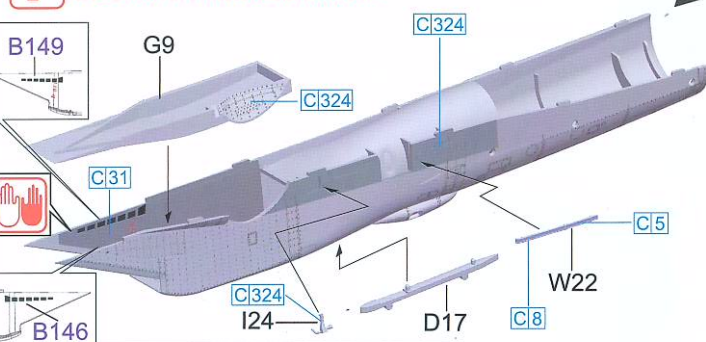


! Open Holes Only To Install Weapon Pylons
钻孔 (仅限使用外挂武器挂架状态)

! 此面朝向机头
This Side (red) forward



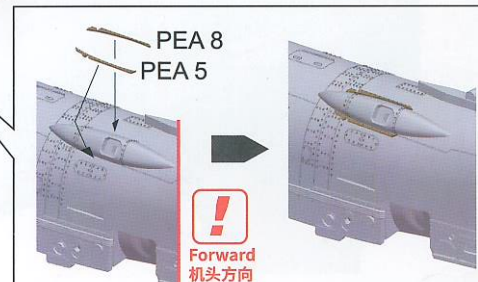
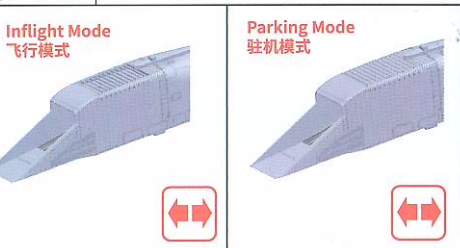
! Do Not Use D17 If Using APK-9 Targeting Pod
若使用APK-9制导吊舱则无需使用D17零件



! Engrave Short Panel Line
增加一段刻线

! Remove Raised Reinforcement Plates (Remain The Install Pins)
磨去凸起补强板 (保留定位桩)

! Fill The Panel And Rivets
填平该口盖与铆钉



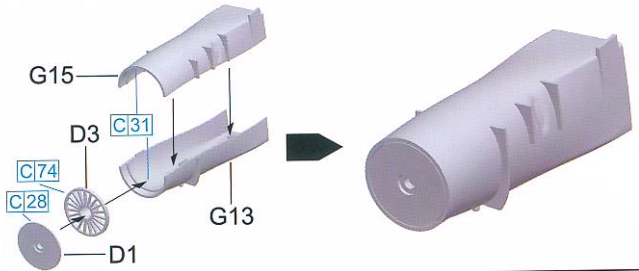
9



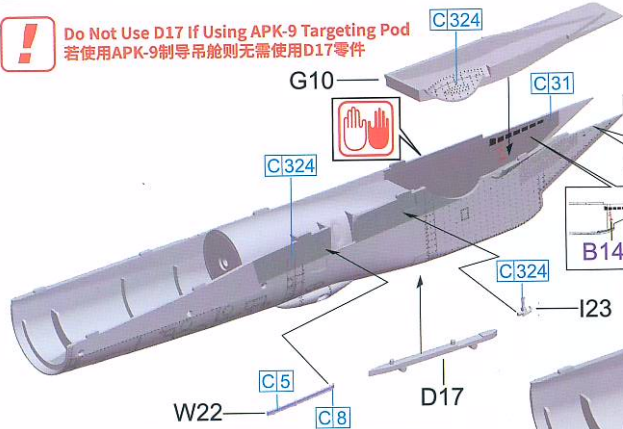
Ø1.3mm



Open Holes Only To Install
Weapon Pylons
钻孔 (仅限使用外挂武器挂架状态)



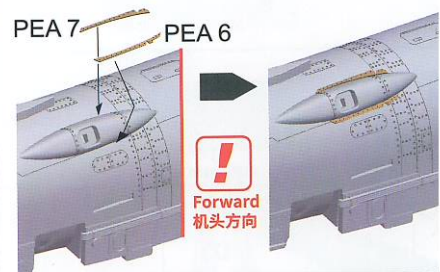
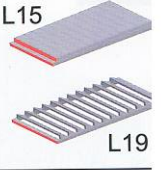
Do Not Use D17 If Using APK-9 Targeting Pod
若使用APK-9制导吊舱则无需使用D17零件



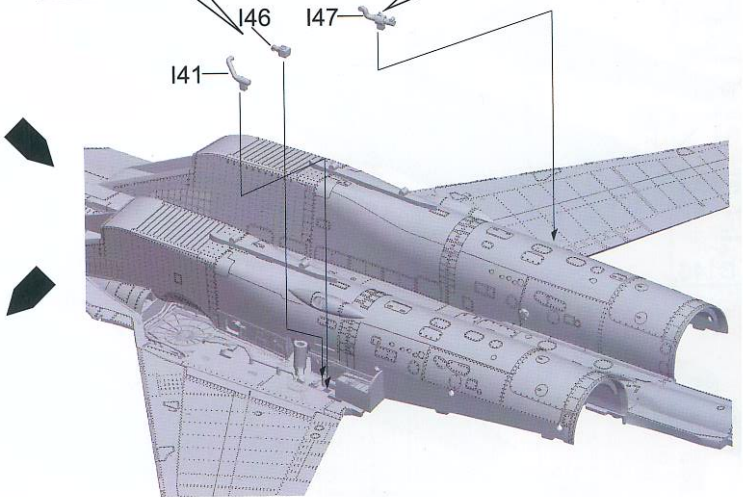
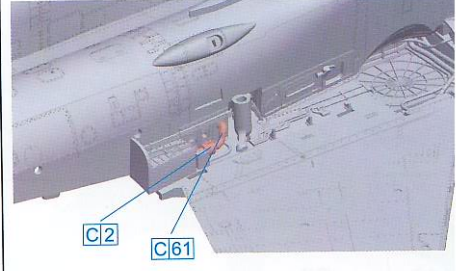
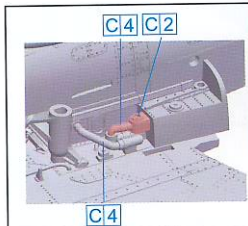
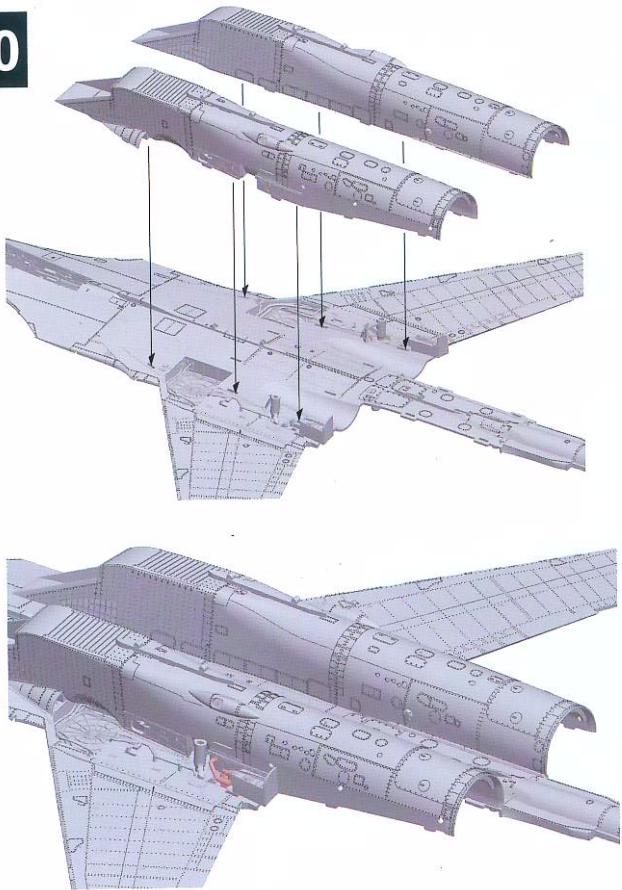
Remove Raised Reinforcement
Plates (Remain The Install Pins)
磨去凸起补强板 (保留定位桩)

Engrave Short
Panel Line
增加一段刻线

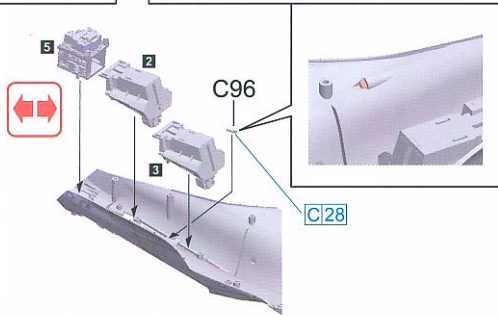
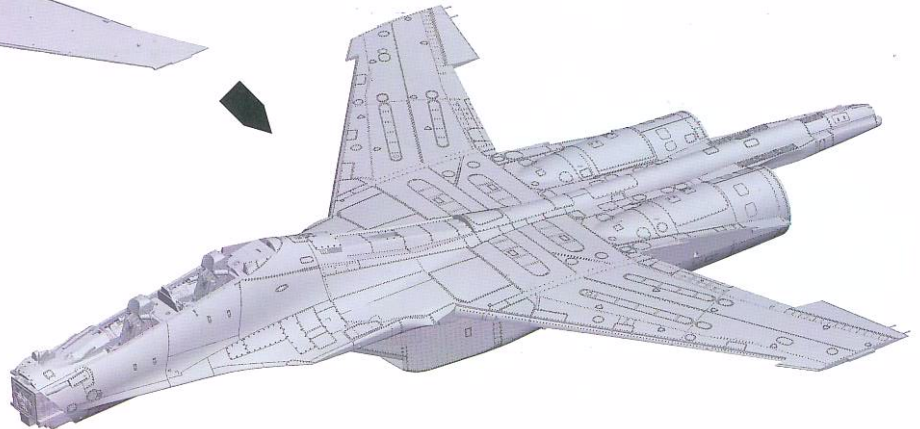
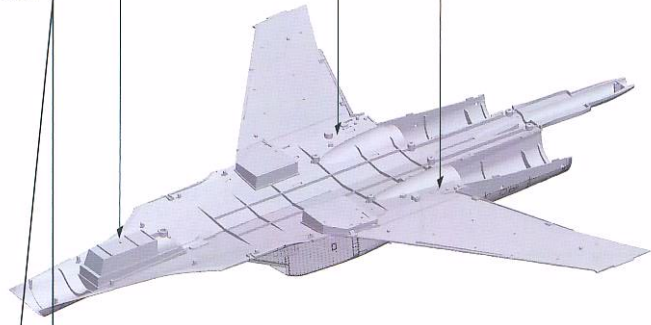
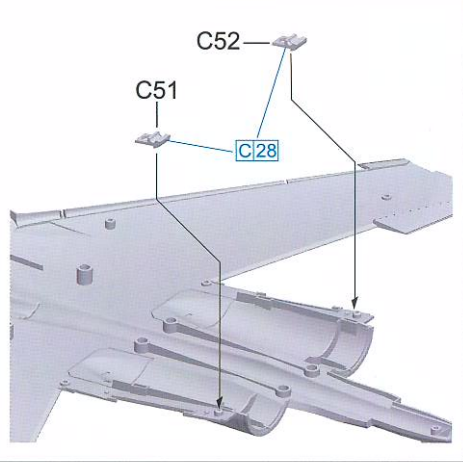
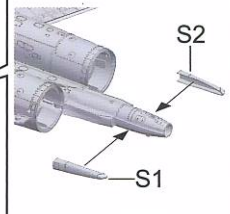
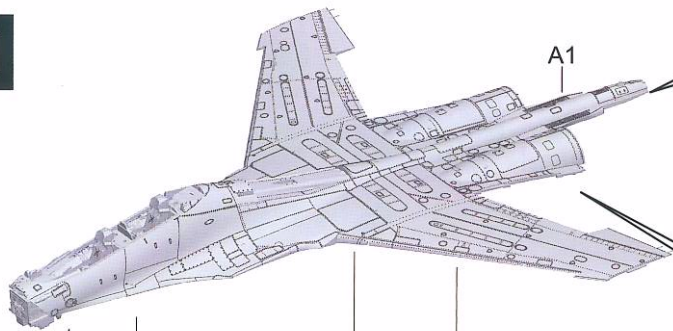
This Side(re)
forward



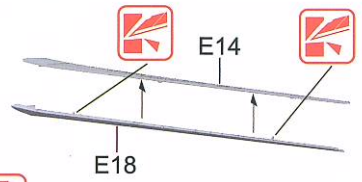
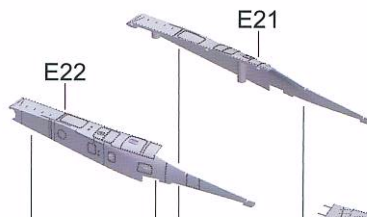
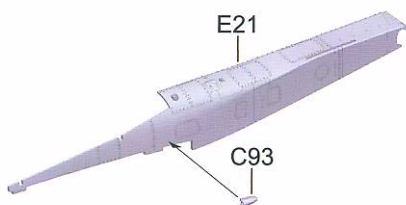
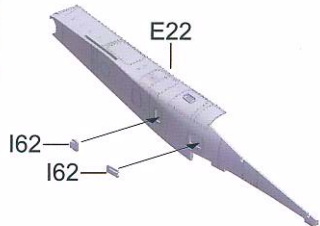
10



11



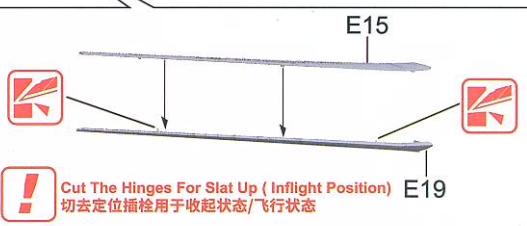
12



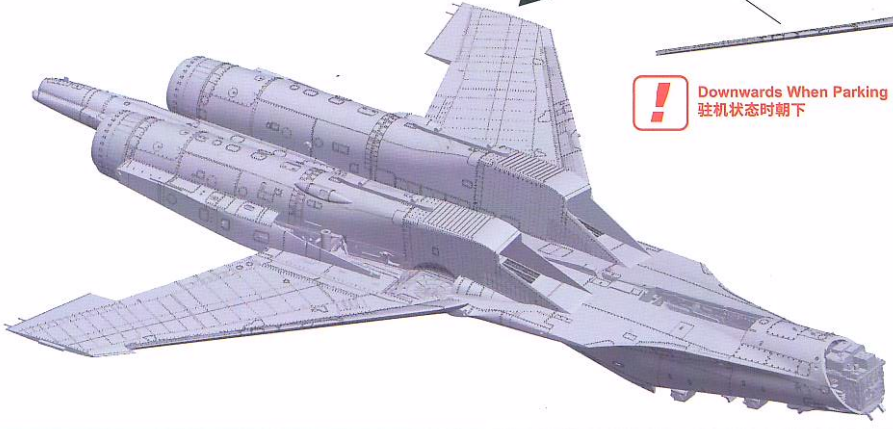
! Cut The Hinges For Slat Up (Inflight Position)
切去定位插栓用于收起状态/飞行状态

! Downwards When Parking
驻机状态时朝下

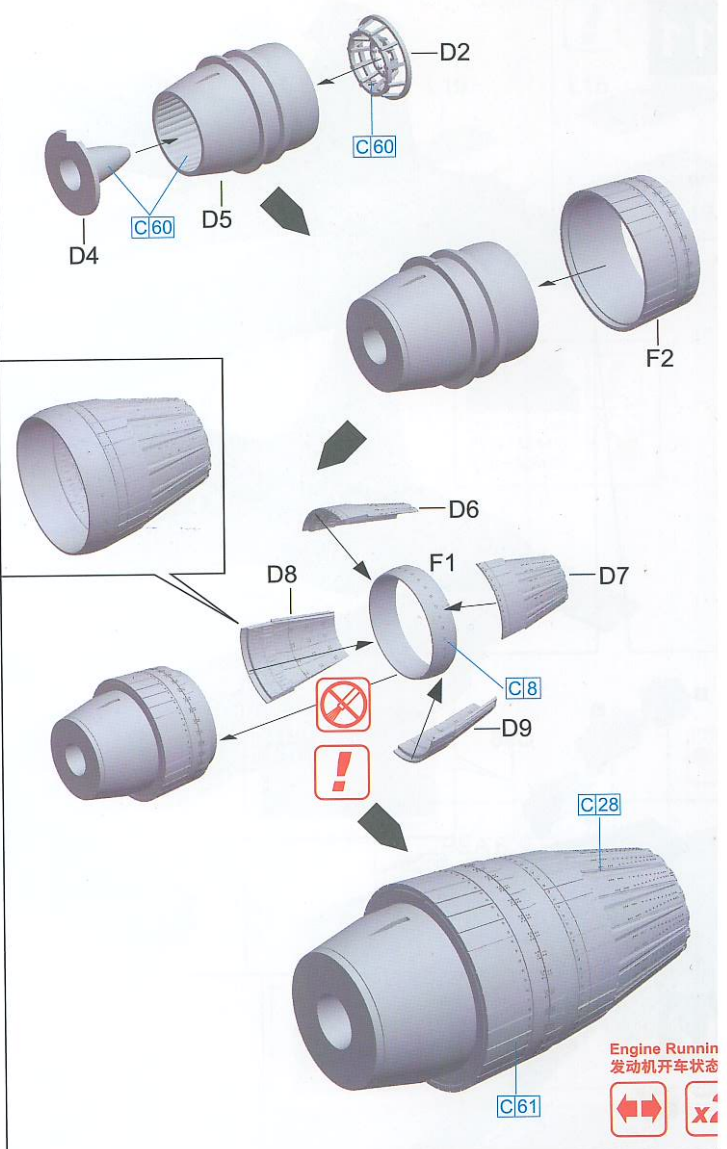
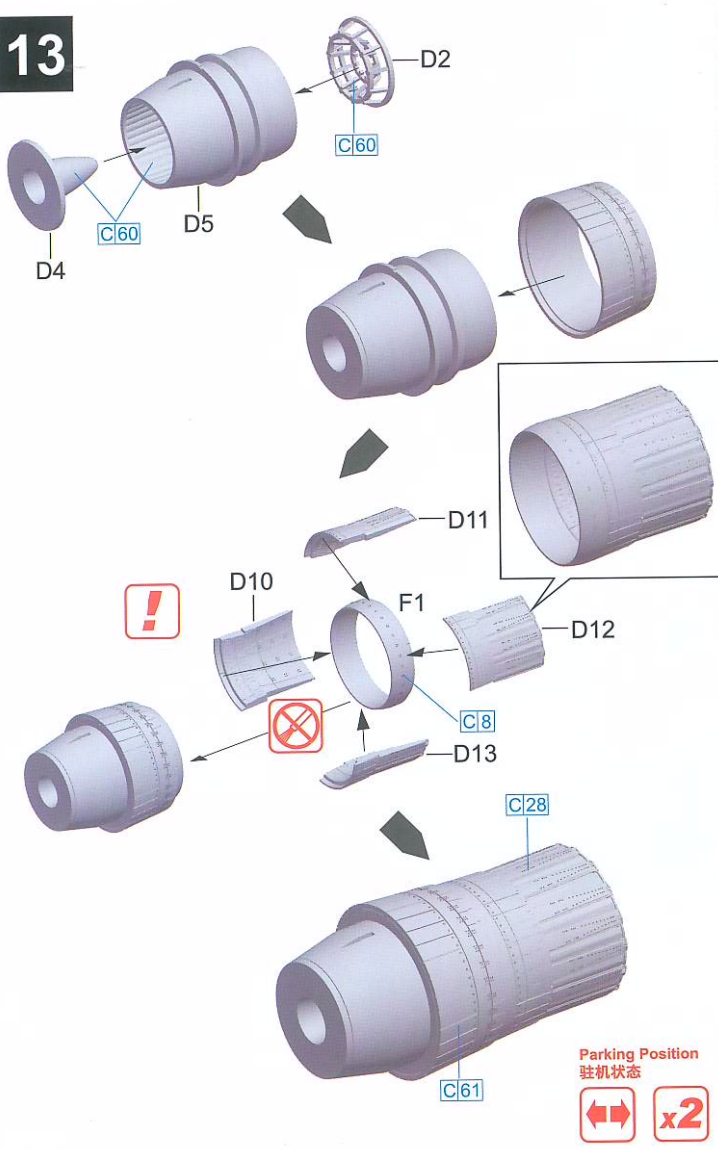
! Downwards When Parking
驻机状态时朝下



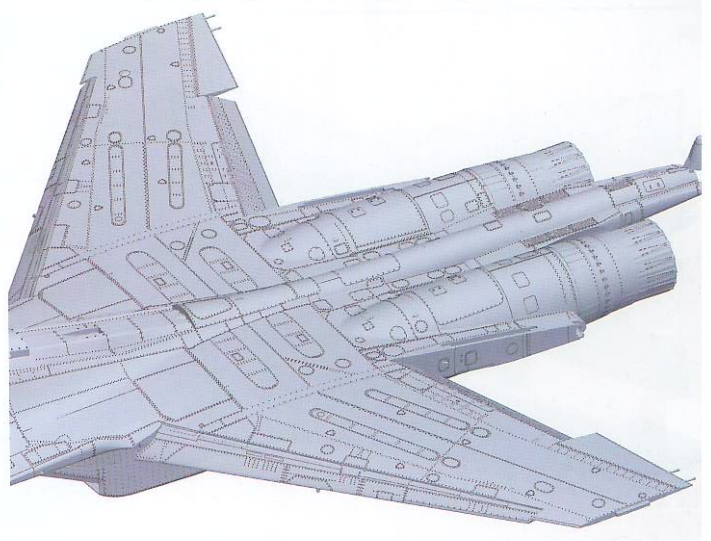
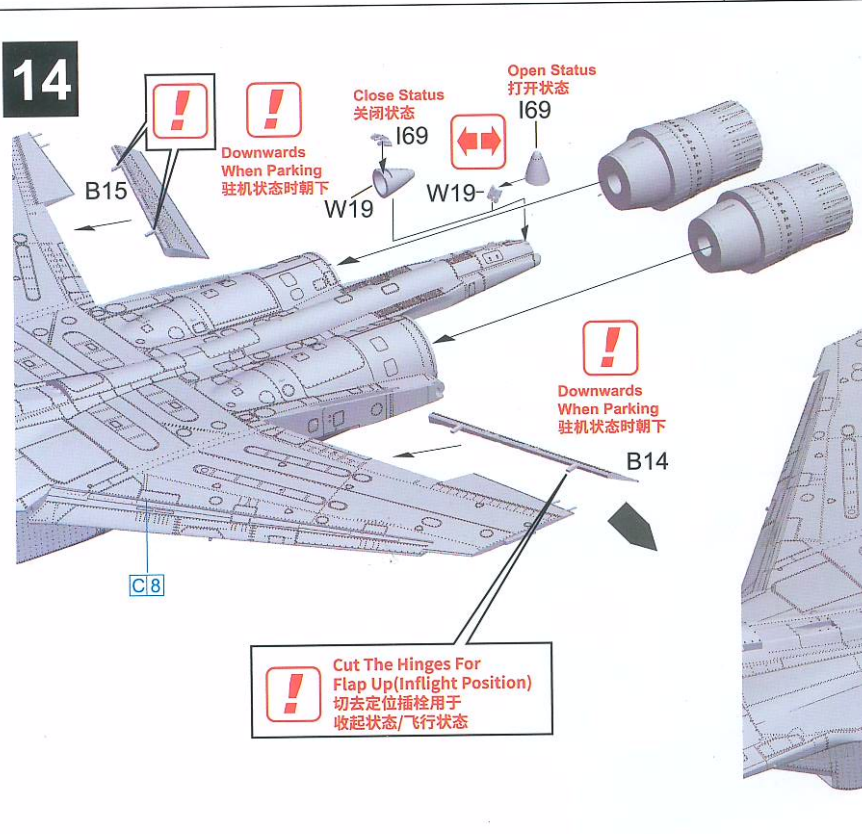
! Cut The Hinges For Slat Up (Inflight Position)
切去定位插栓用于收起状态/飞行状态



13

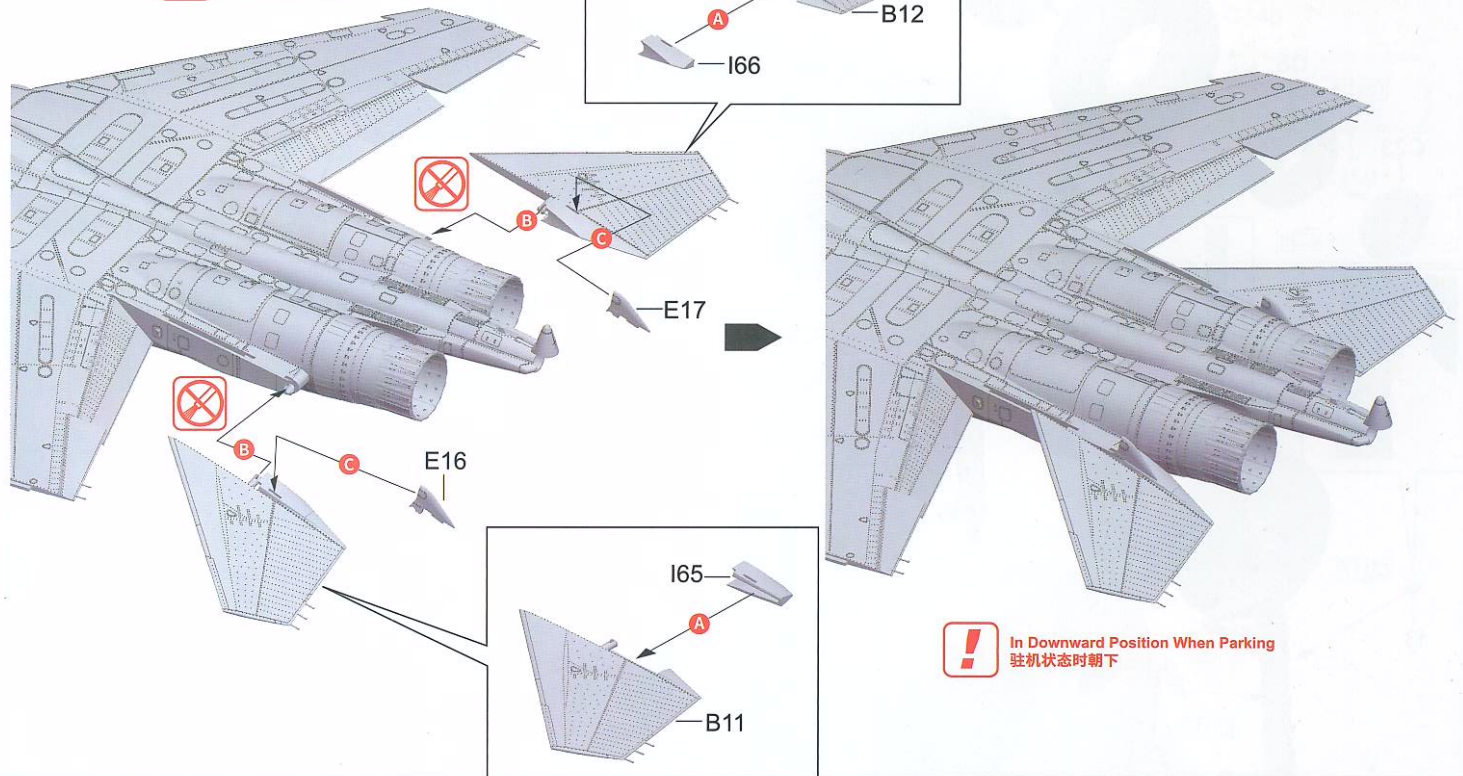


14

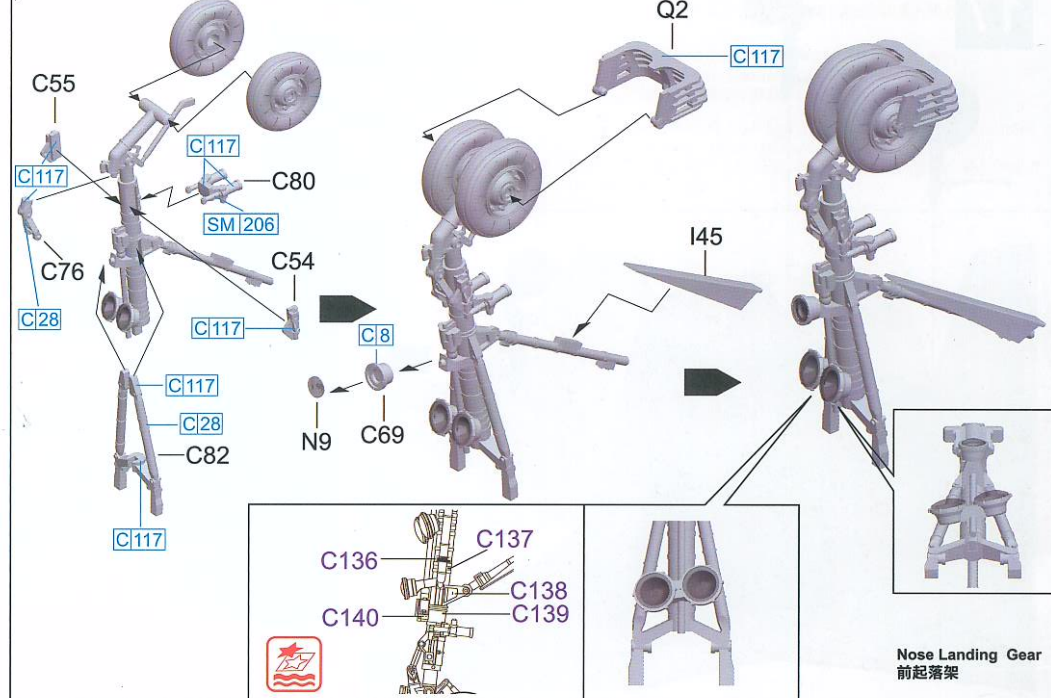
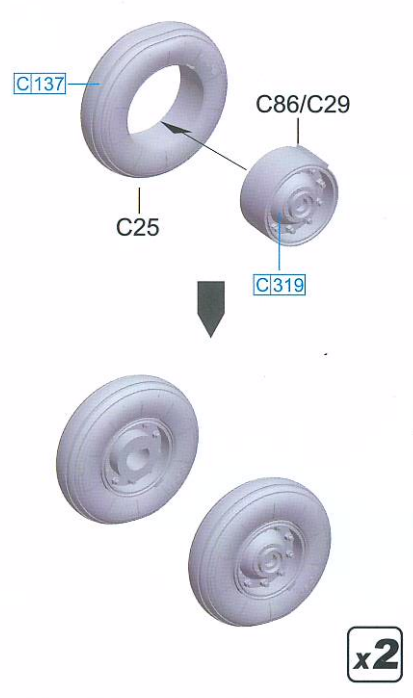
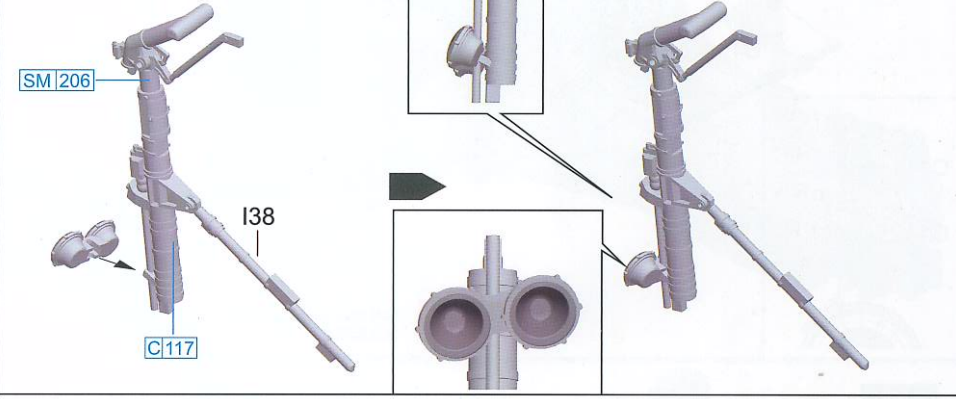
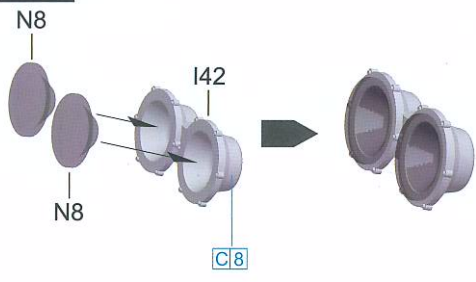


15

! Pay Attention To Assembling Order ABC
注意安装顺序ABC

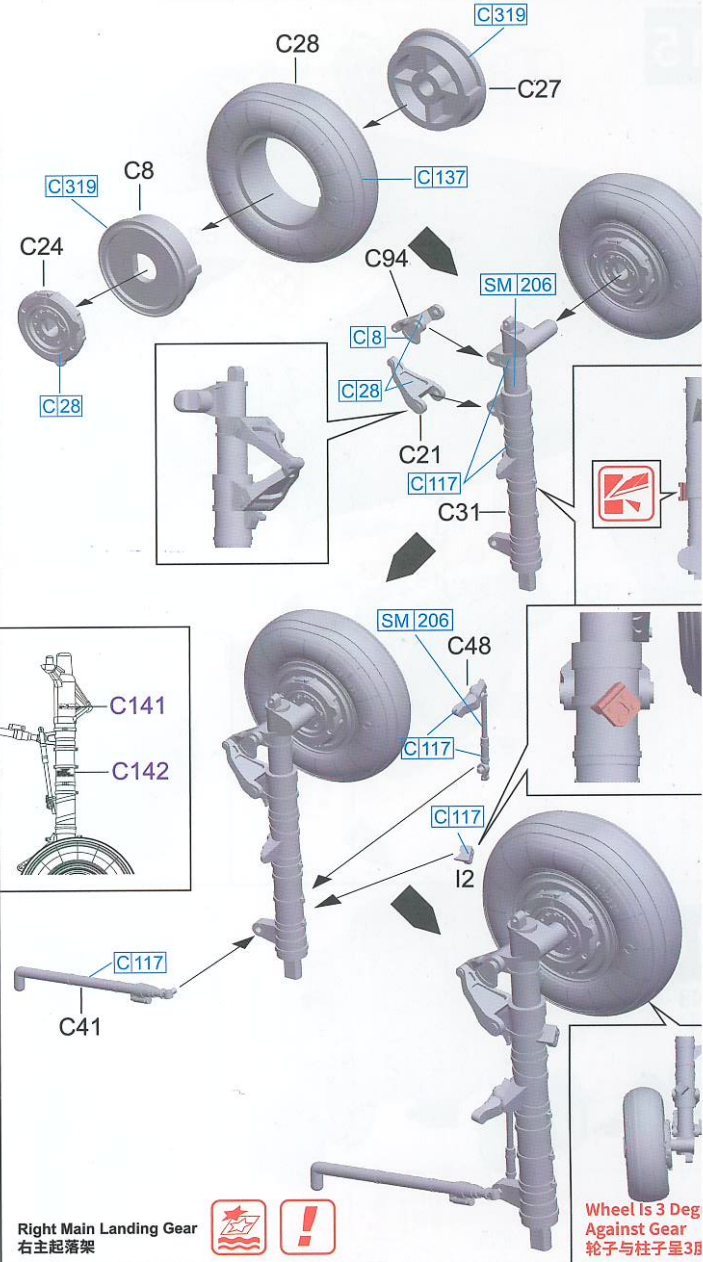
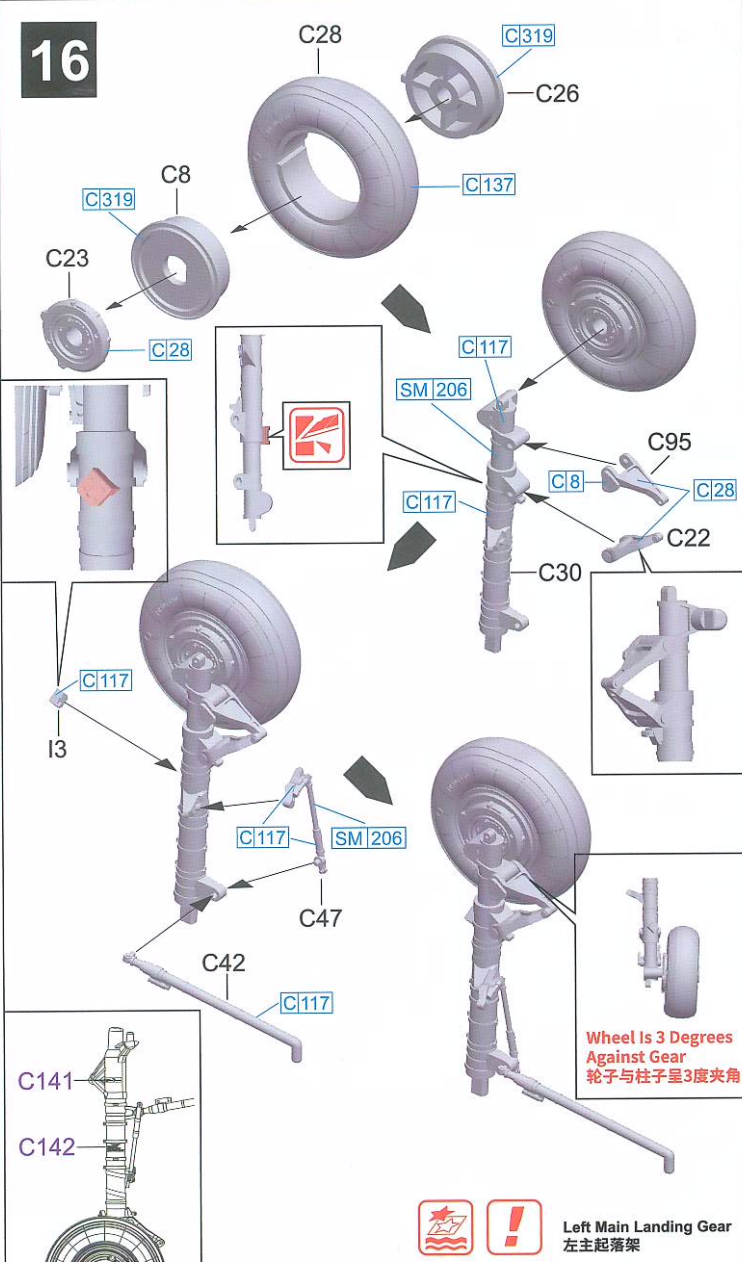


16

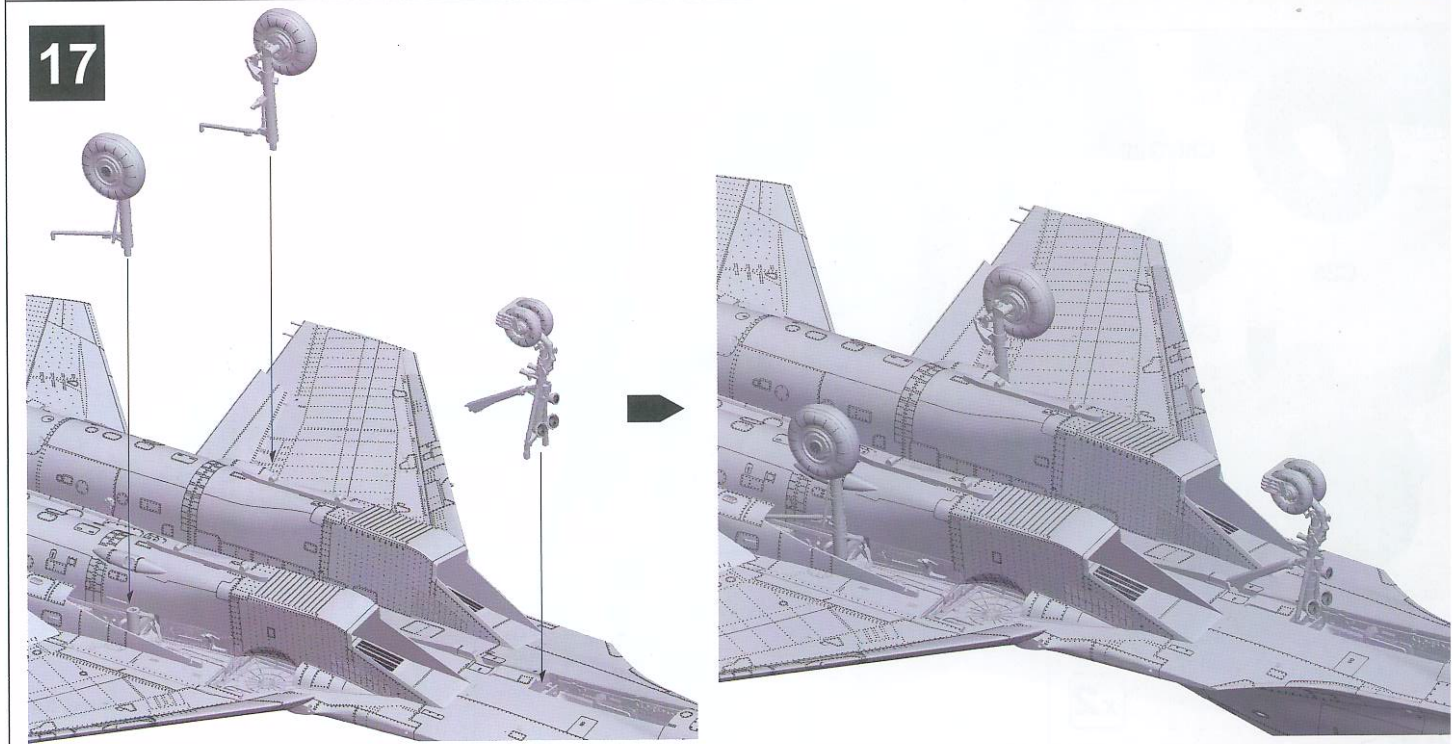


Nose Landing Gear
前起落架

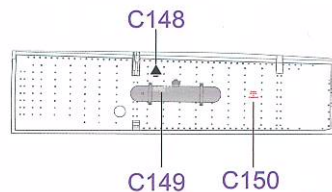
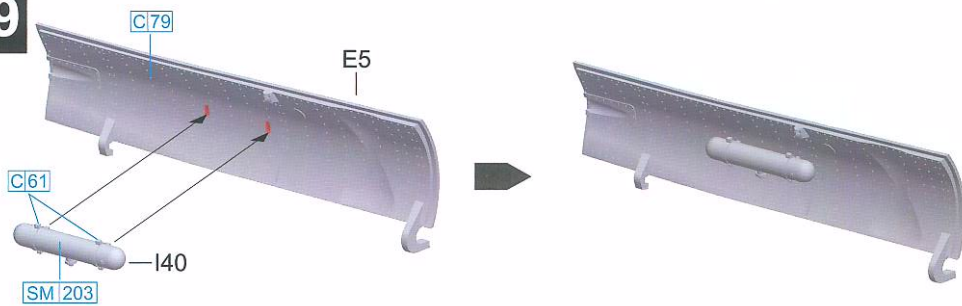
16



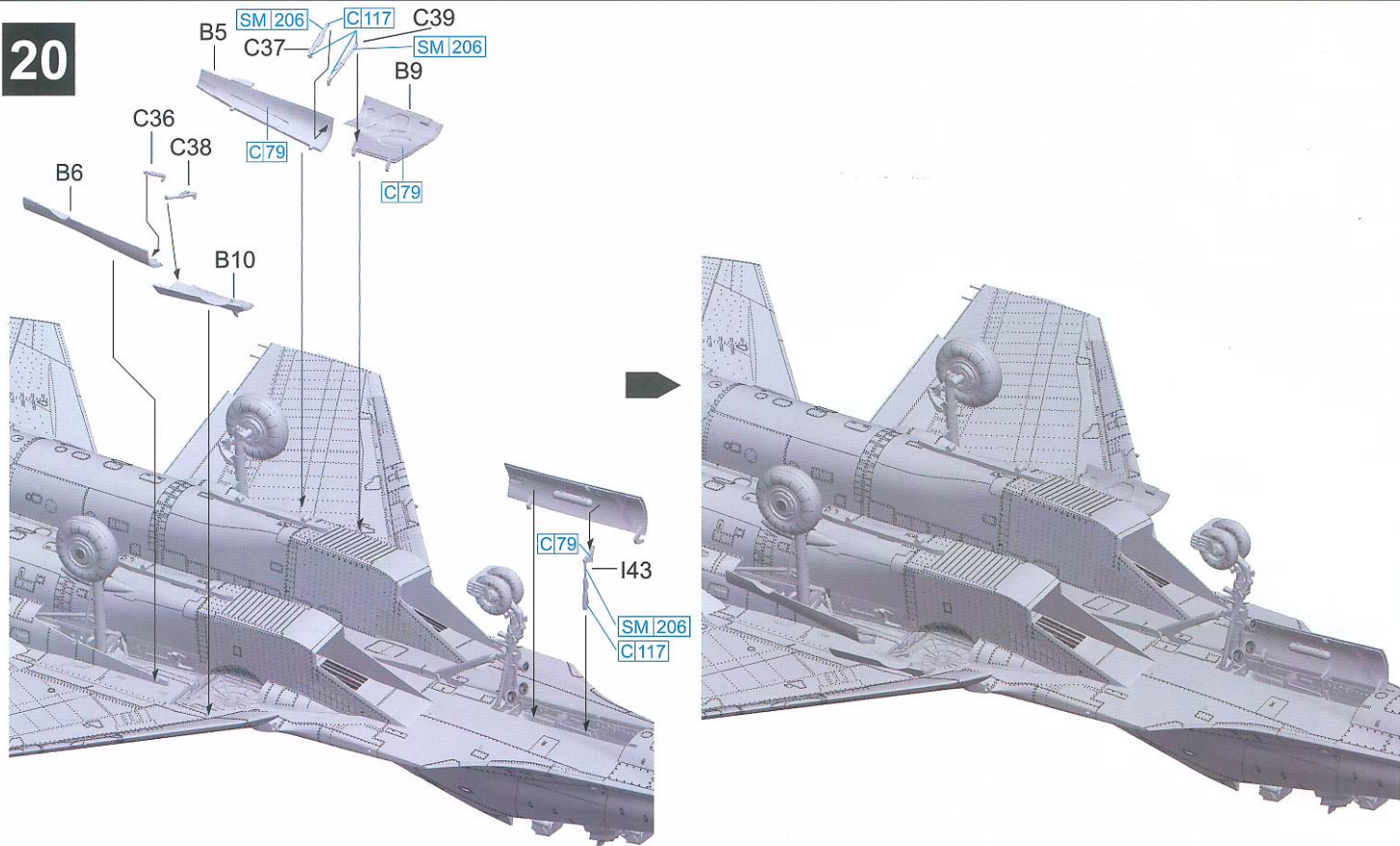
17



19



20



21



Be Sure To Refer P14-P18 To Decide Your Specific Ordnance Before Making
请务必参照第14至18页决定具体挂载方案后再进行制作



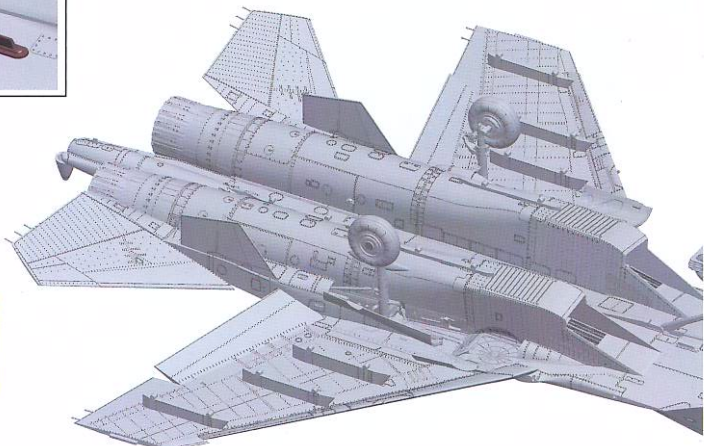
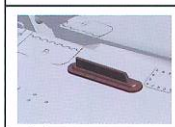
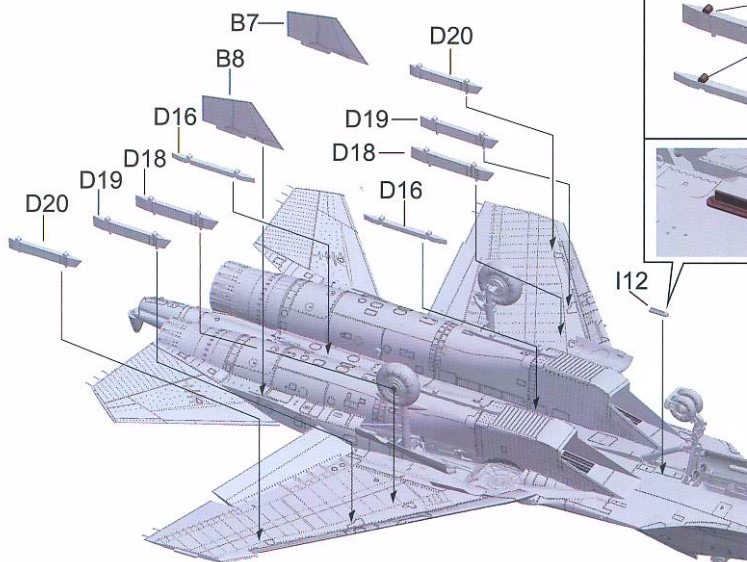
Cut The Shadowed Area If Using BD3-USK Pylons
若使用BD3-USK挂架, 则需切除转换梁上的凸起



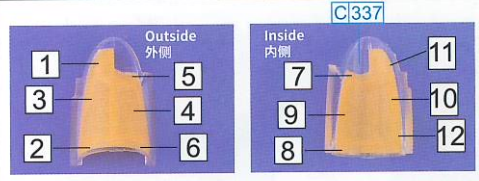
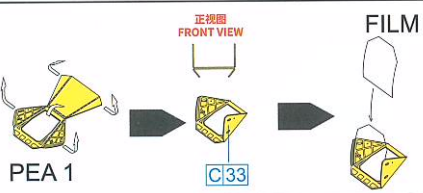
No Need To Use D18/D19 Transfer Beams
If Use Twin Launcher Transfer Beams
若使用双联装过渡梁, 则无需使用D18/D19



No Need To Use D16 If use AKU-170 Pylons (adhere on lower fuselage center hardpoints directly)
若使用AKU-170挂架, 则无需使用D16 (直接安装在下机身中线位置)



22

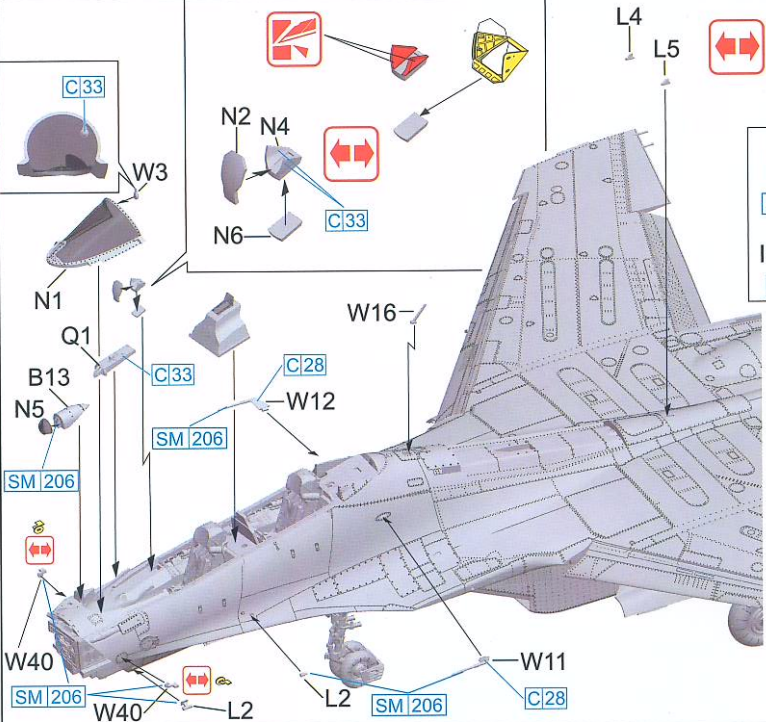


!
Pre-cut Masking Tape
预切割遮盖贴

Upward
朝上

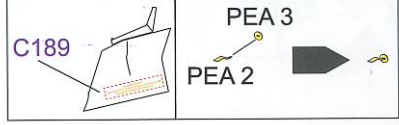
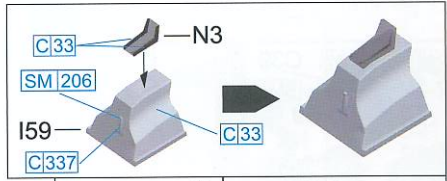
Downward
朝下

!
No Panel On
Upper Side
上表面无检修口



Use Part L4 For Painting Scheme A/B/C
涂装A/B/C使用零件L4

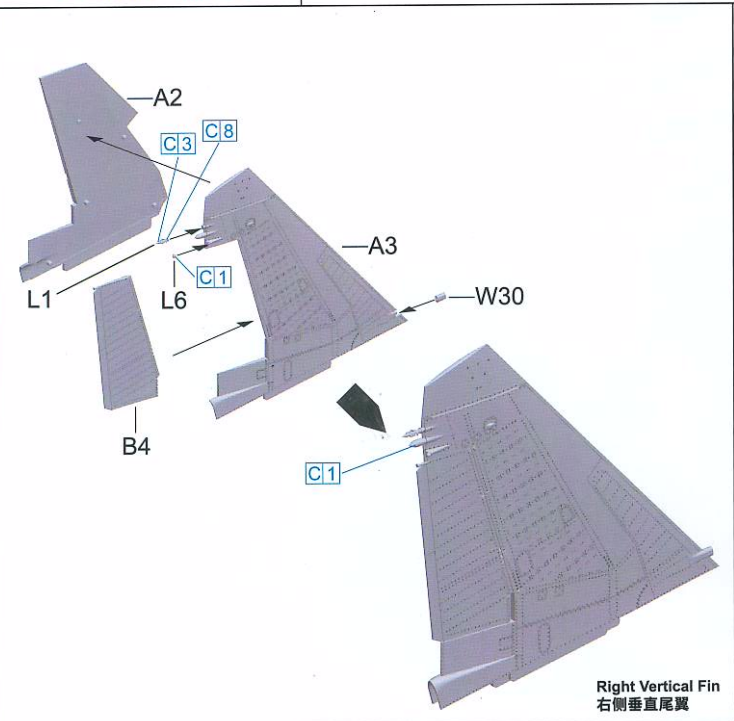
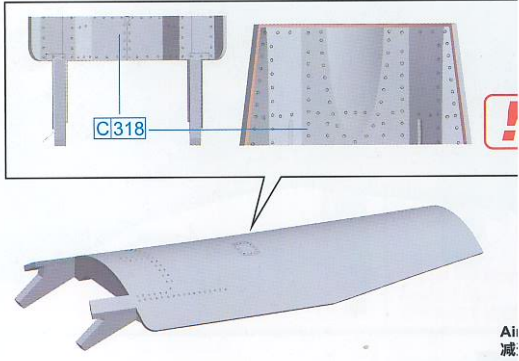
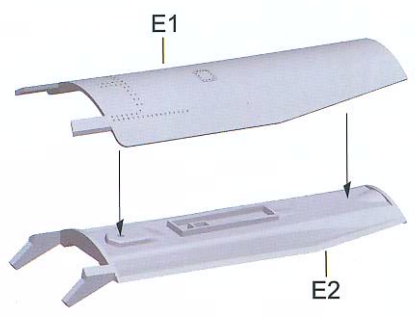
Use Part L5 For Painting Scheme D/E/F/G/H
涂装D/E/F/G/H使用零件L5



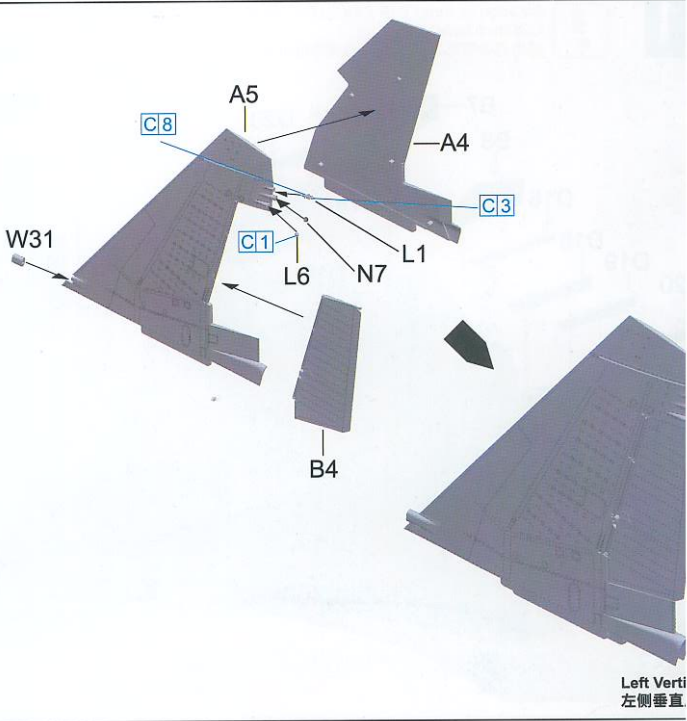
23



!
Cut The Shadow Area
For Closed Airbrake Option
若关闭减速板则切去阴影处



Right Vertical Fin
右侧垂直尾翼



Left Vertical
左侧垂直

! Open Hole Only For Radome Opening Status
 钻孔 (仅限打开雷达罩状态)

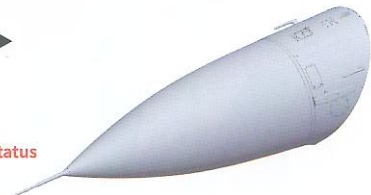
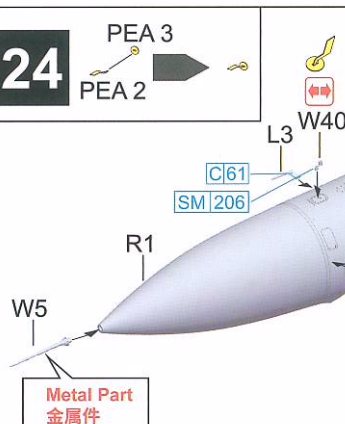
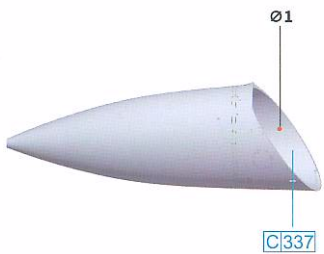
24 PEA 3
 PEA 2

Use Part L4 For Painting Scheme A/B/C
 涂装A/B/C使用零件L4
 Use Part L5 For Painting Scheme D/E/F/G/H
 涂装D/E/F/G/H使用零件L5

Left Side View
 左侧视

Pitot Tube Has 3 Degree Up Against radome center line
 空速管与雷达罩中心线呈3度上翘夹角

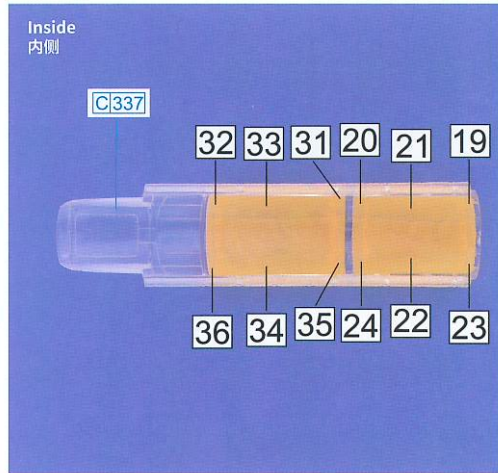
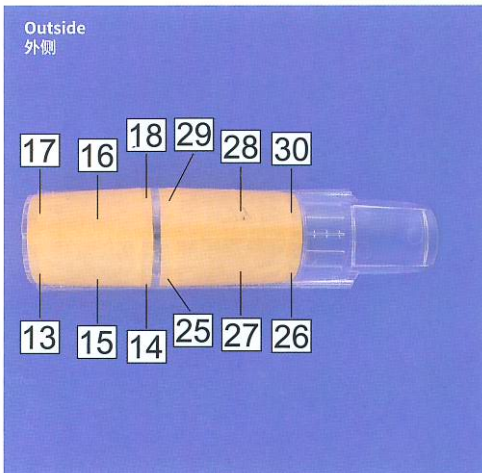
! Only For Radome Opening Status
 仅限打开雷达罩状态



Canopy 座舱盖

Canopy 座舱盖

! Pre-cut Masking Tape
 预切割遮盖贴



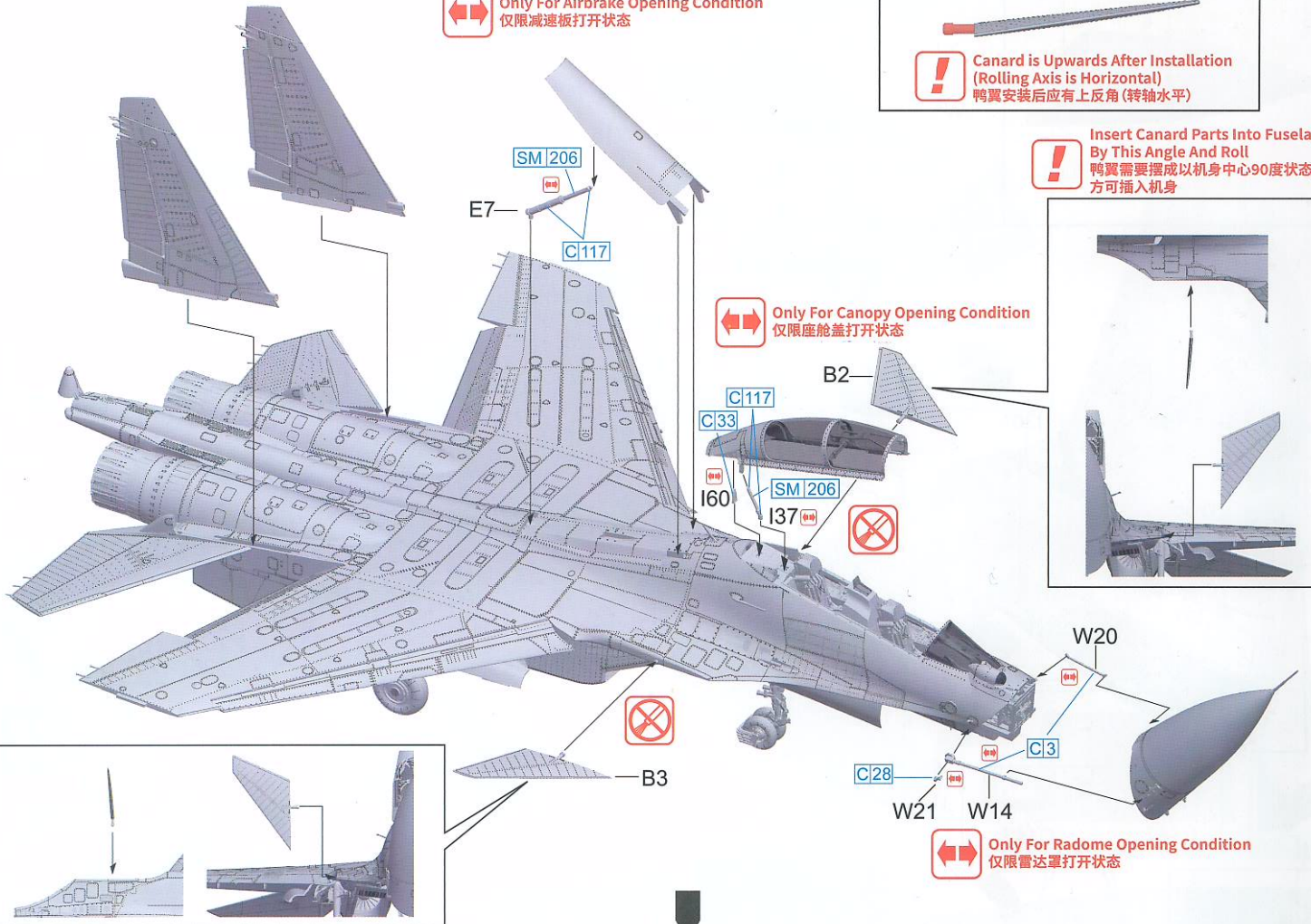
Only For Airbrake Opening Condition
仅限减速板打开状态

Canard is Upwards After Installation
(Rolling Axis is Horizontal)
鸭翼安装后应有上反角(转轴水平)

Insert Canard Parts Into Fuselage
By This Angle And Roll
鸭翼需要摆成以机身中心90度状态,
方可插入机身

Only For Canopy Opening Condition
仅限座舱盖打开状态

Only For Radome Opening Condition
仅限雷达罩打开状态



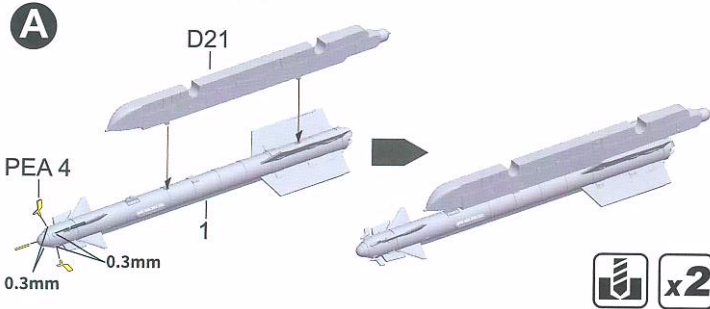
Insert Canard Parts Into Fuselage
By This Angle And Roll
鸭翼需要摆成以机身中心90度状态,
方可插入机身



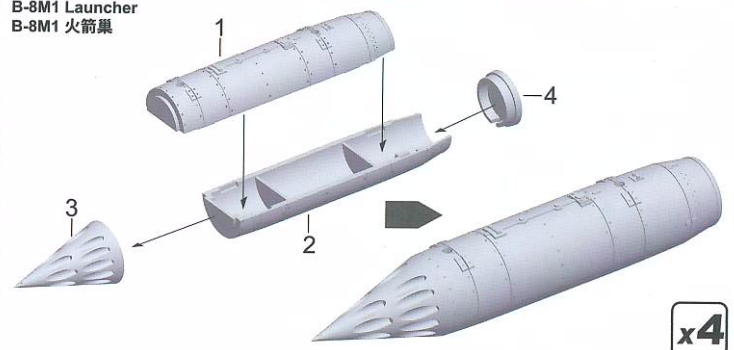


Cut Some Details On Weapon Surface To Install Pylons Dry Fit Before Gluing
武器表面一些细节需要切除才可安装挂架粘合前请务必假组
Be Sure To Refer P17 & P18 To Decide Your Specific Ordnance Before Making
请务必参照第17和第18页决定具体挂载方案后再进行制作

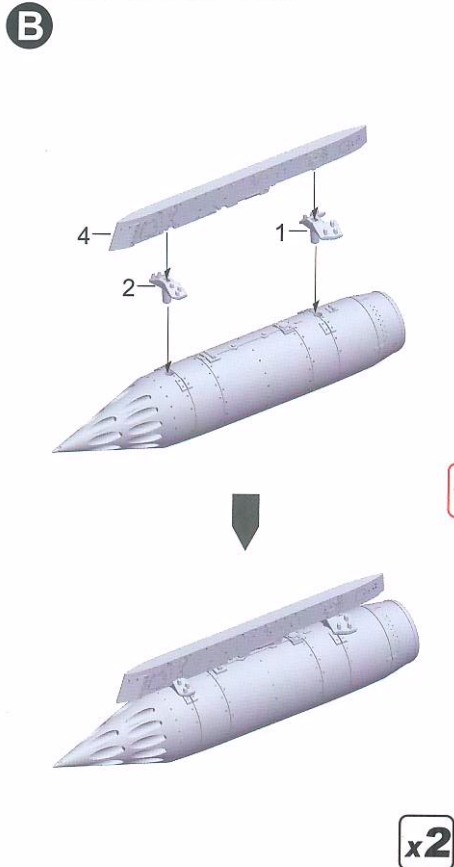
R-73 "AA-11" AA Missile + P-72 Pylon
R-73 "AA-11" 空空导弹 + P-72 挂架



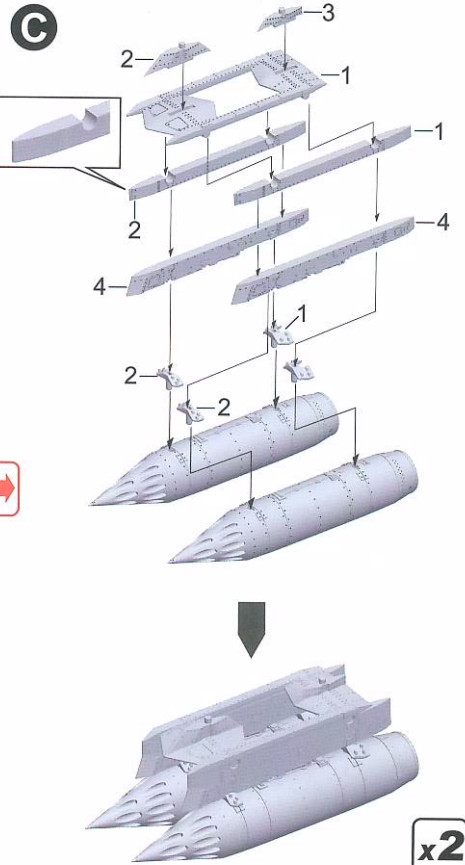
B-8M1 Launcher
B-8M1 火箭巢



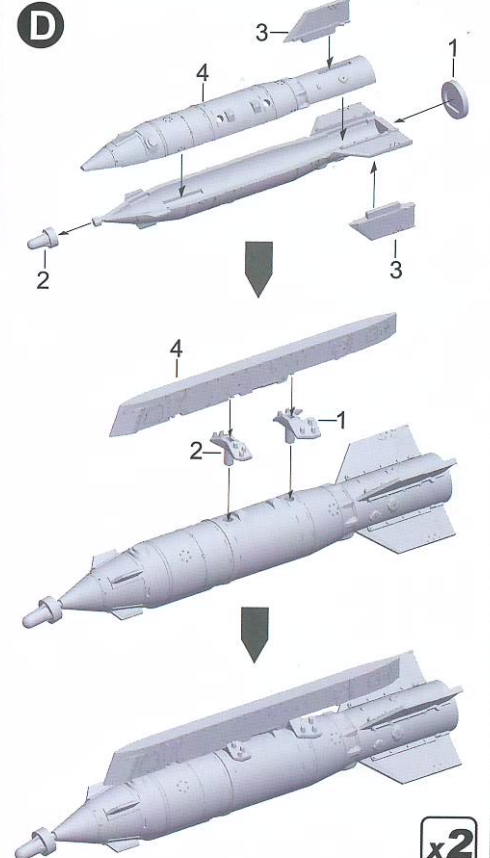
B-8M1 Launcher + BD3-USK-A Pylon(Single)
B-8M1 火箭巢 + BD3-USK-A 挂架(单发)



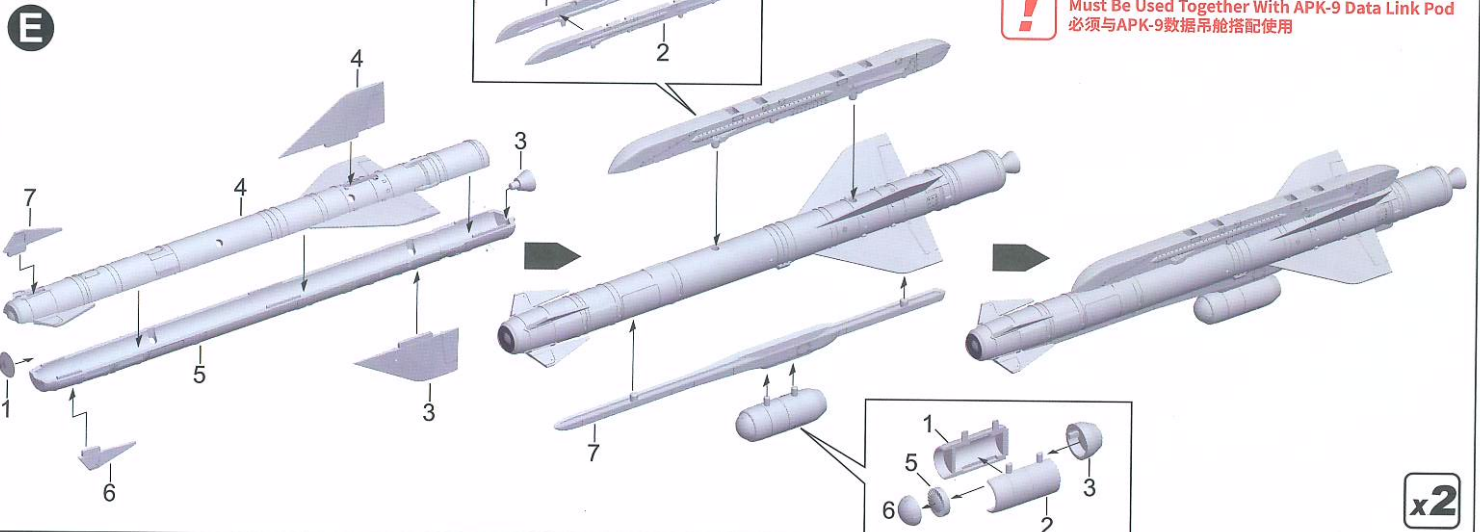
B-8M1 Launcher + BD3-USK-A Pylon(Twin)
B-8M1 火箭巢 + BD3-USK-A 挂架(双联)



KAB-500L Laser Guide Bomb + BD3-USK-A Pylon
KAB-500L 激光制导炸弹 + BD3-USK-A 挂架

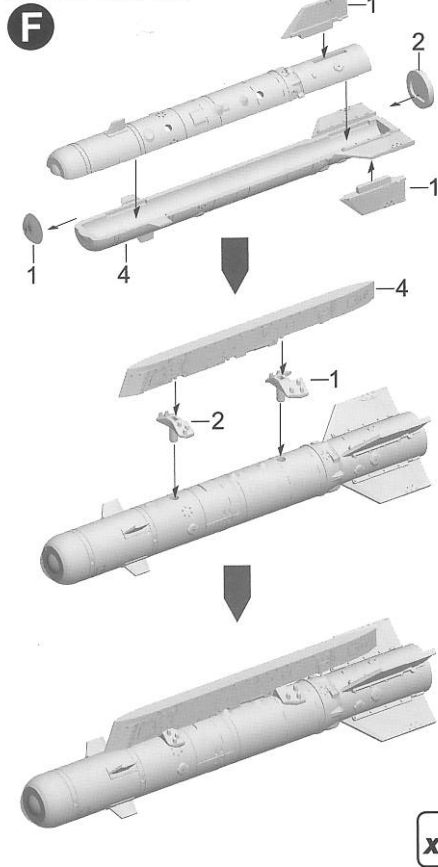


Kh-59M AG Missile + AKU-58 Pylon
Kh-59M 空面导弹 + AKU-58 挂架

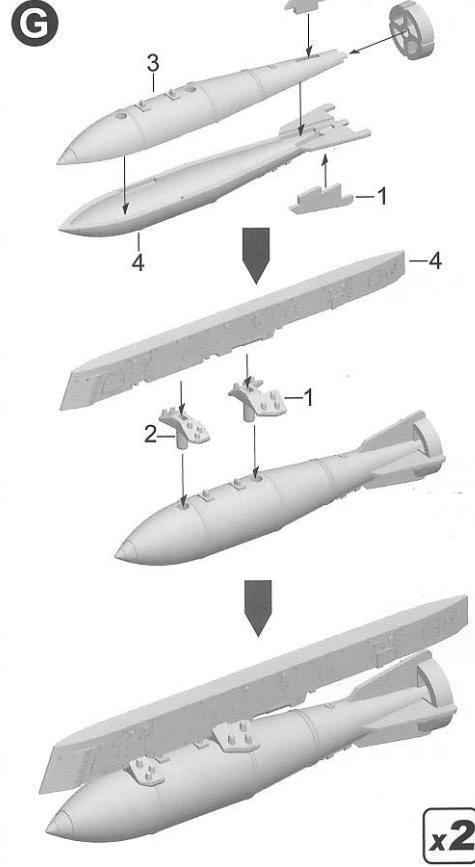


! Must Be Used Together With APK-9 Data Link Pod
必须与APK-9数据吊舱搭配使用

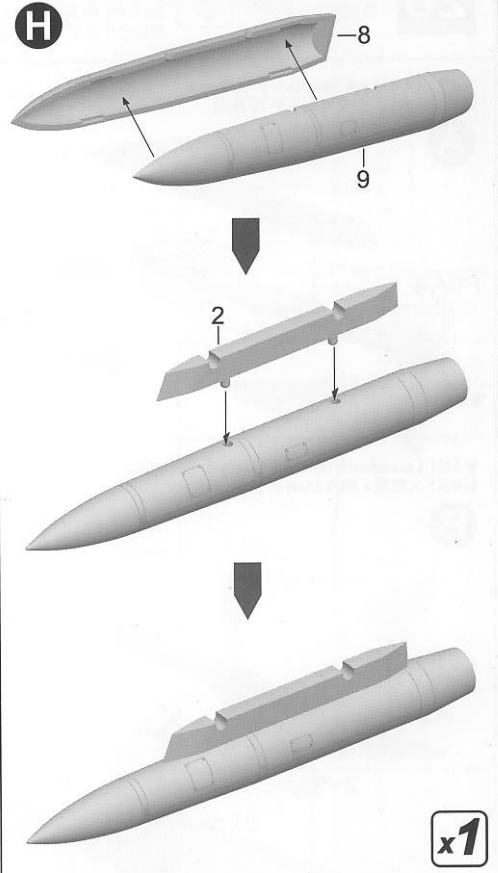
KAB-500Kr TV Guide Bomb + BD3-USK-A Pylon
KAB-500Kr 电视制导炸弹 + BD3-USK-A 挂架



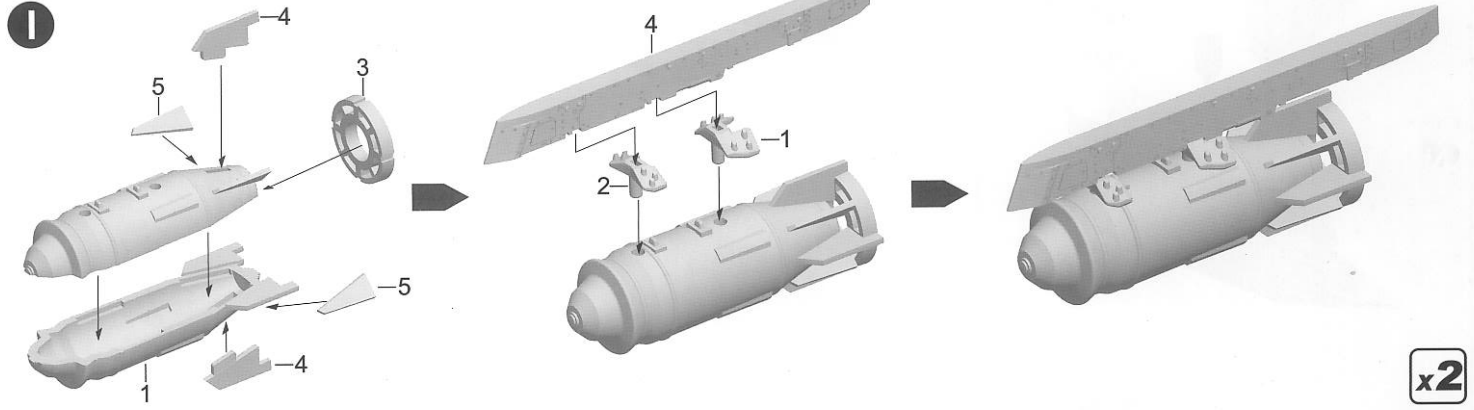
FAB-500M-62 Bomb + BD3-USK-A Pylon
FAB-500M-62 炸弹 + BD3-USK-A 挂架



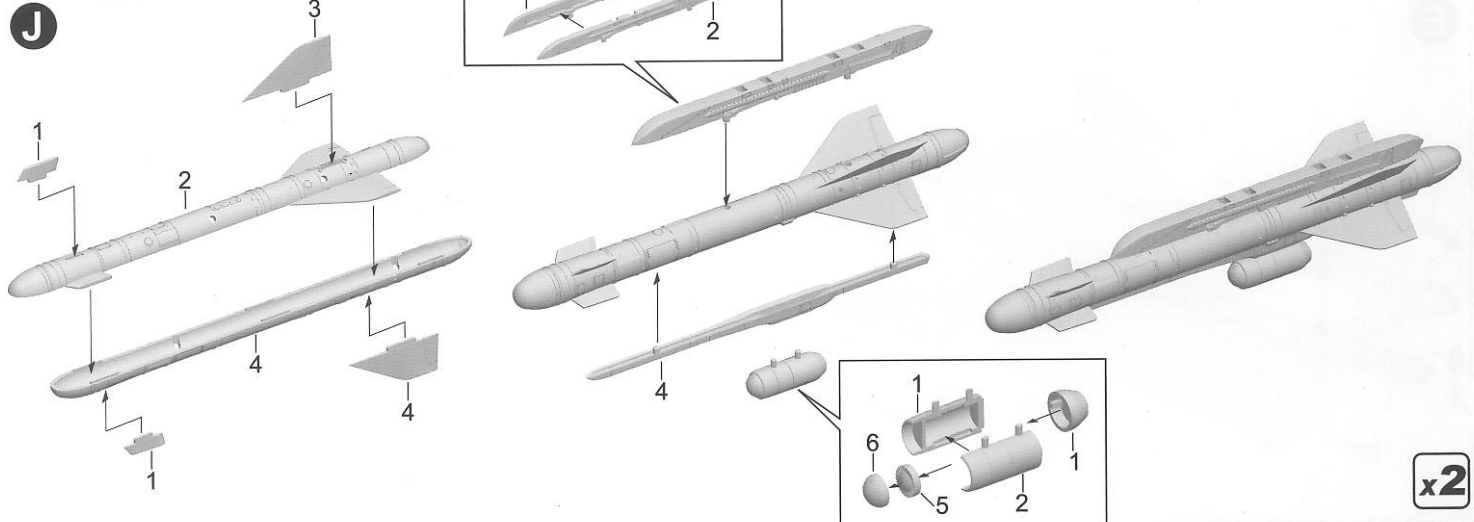
APK-9 Data Link Pod (Used With Kh-59M Missiles)
APK-9 数据链吊舱 (与Kh-59M导弹搭配使用)



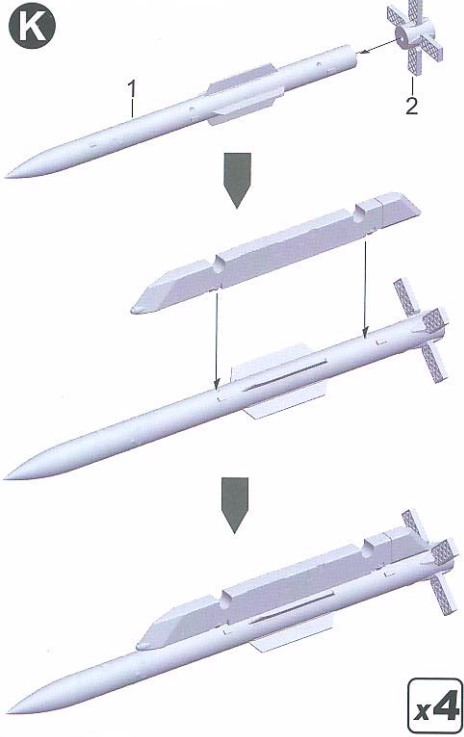
FAB-500M-54 Bomb + BD3-USK-A Pylon
FAB-500M-54 炸弹 + BD3-USK-A 挂架



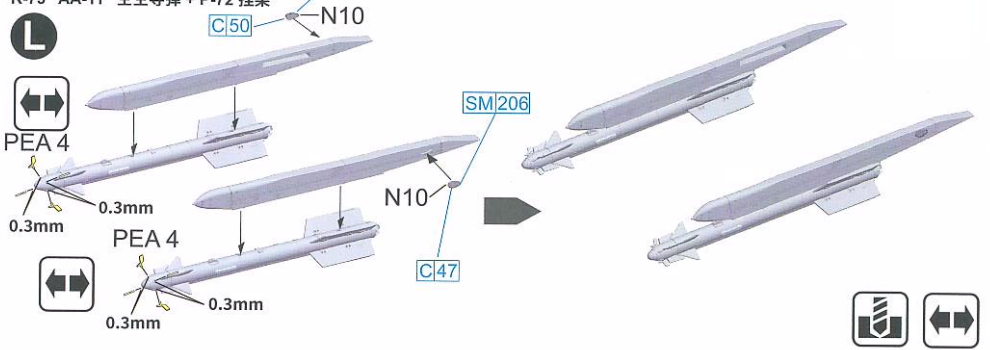
Kh-59MK AG Missile + AKU-58 Pylon
Kh-59MK 空面导弹 + AKU-58 挂架



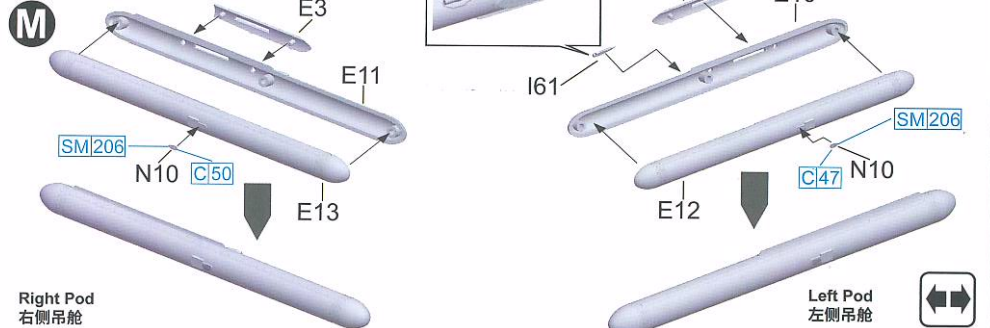
R-77 AA Missile + AKU-170 Pylon
R-77 空空导弹 + AKU-170 挂架



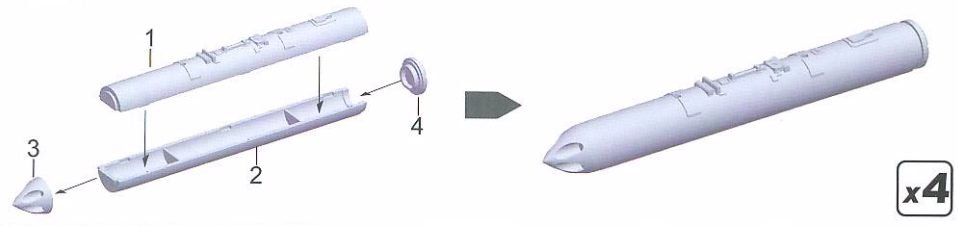
R-73 "AA-11" AA Missile + P-72 Pylon
R-73 "AA-11" 空空导弹 + P-72 挂架



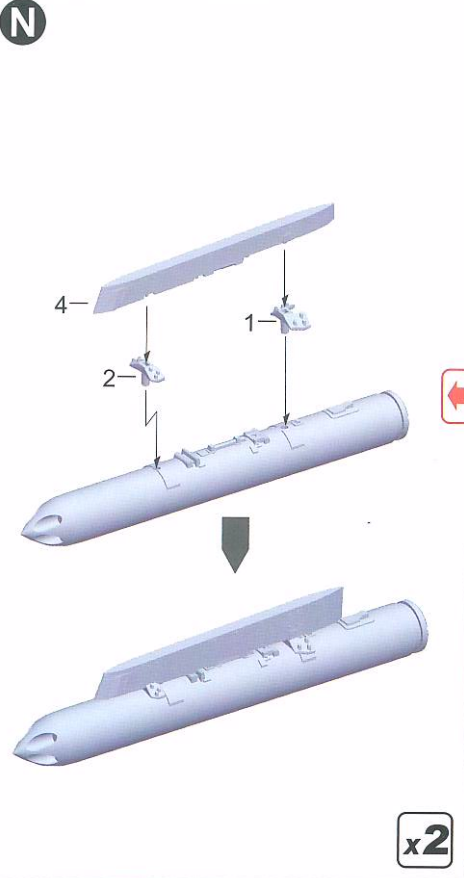
SAP-518 ECM Pod
SAP-518 电子战吊舱



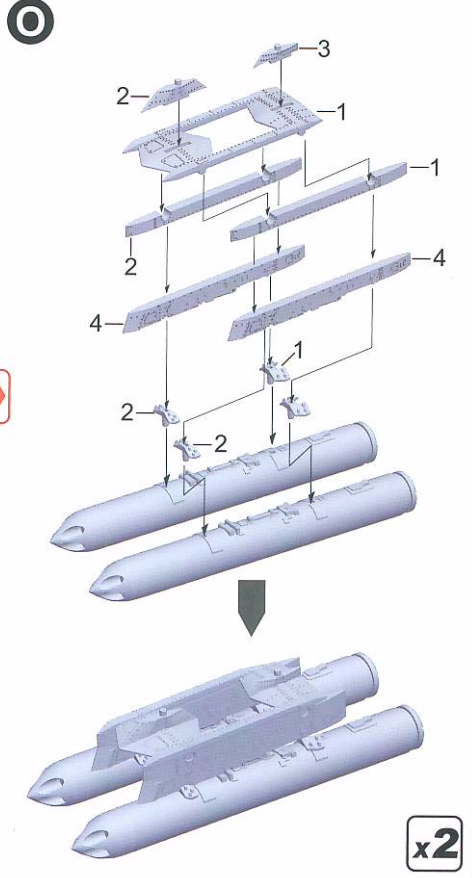
B-13L Launcher
B-13L 火箭巢



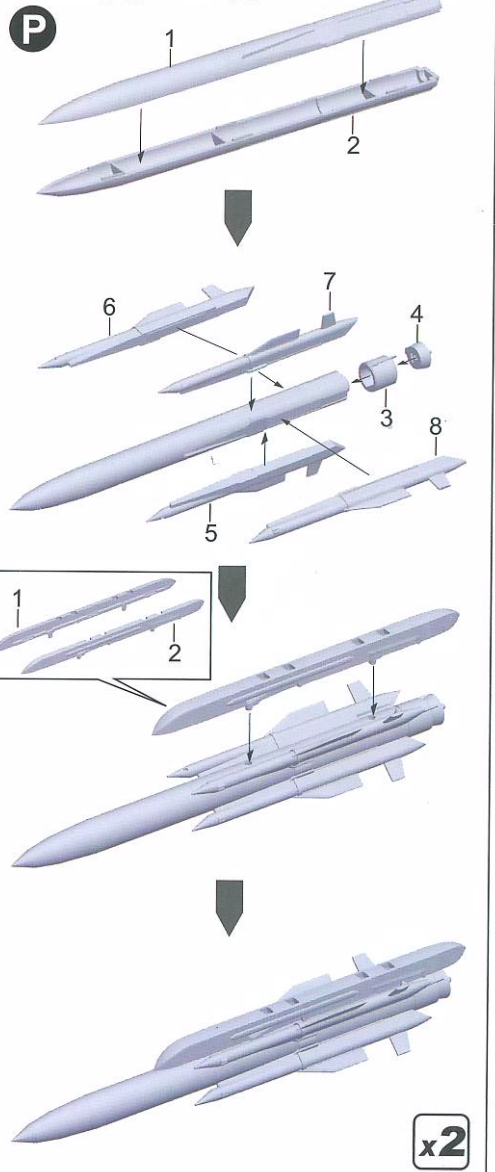
B-13L Launcher + BD3-USK-A Pylon(Single)
B-13L 火箭巢 + BD3-USK-A 挂架(单发)



B-13L Launcher + BD3-USK-A Pylon(Twin)
B-13L 火箭巢 + BD3-USK-A 挂架(双联)



Kh-31AD AG Missile + AKU-58 Pylon
Kh-31AD 空面导弹 + AKU-58 挂架

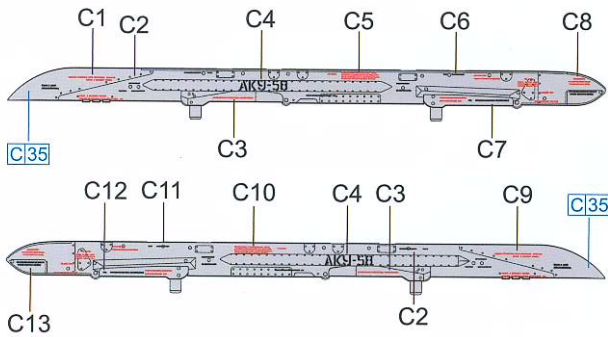




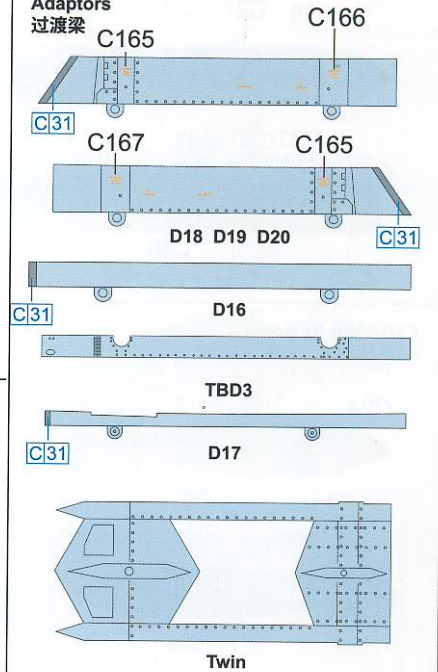
Hardpoint 挂点		1	2	3	4	5	6	7	8	9	10	11	12
Weapon 武器	A		●	●	●					●	●	●	
	B			●	●					●	●		
	C			●	●					●	●		
	D			●	●	●	●	●	●	●	●		
use with H 搭配H使用	E			●	●		●	●		●	●		
	F			●	●	●	●	●	●	●	●		
use with E 搭配E使用	G			●	●	●	●	●	●	●	●		
	H					●			●				
	I			●	●	●	●	●	●	●	●	●	
	J			●	●		●	●	●		●		
	K		●	●	●	●	●	●	●	●	●	●	
	L	●											●
	M	●											●
	N			●	●						●	●	
O			●	●						●	●		
P			●	●	●	●	●	●	●	●	●		

28

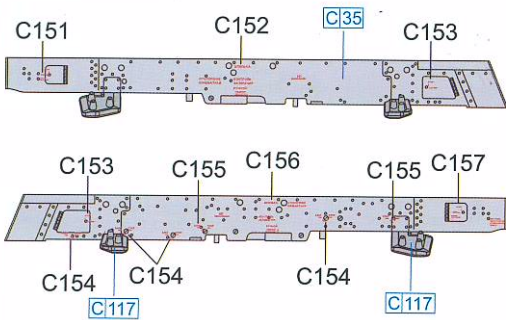
AKU-58 Pylon
AKU-58 挂架



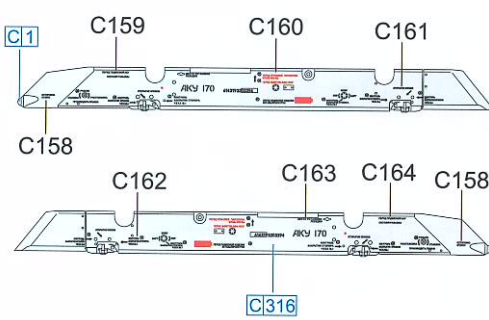
Adaptors
过渡梁



BD3-USK-A Pylon
BD3-USK-A 挂架

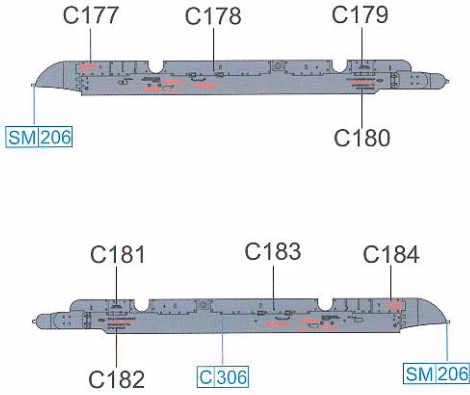


AKU-170 Pylon
AKU-170 挂架

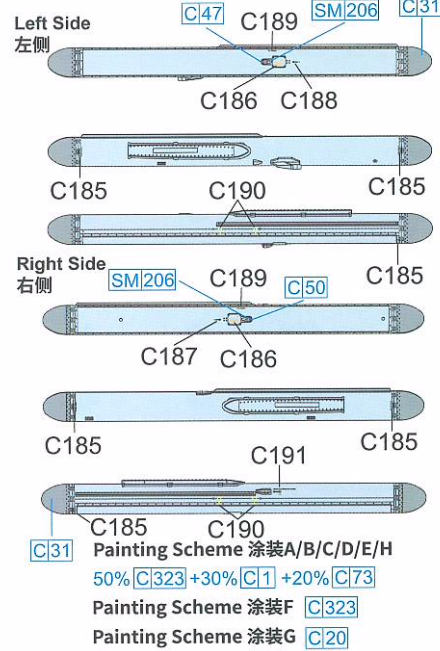


Painting Scheme 涂装A/B/C/D/E/H
50% C323 + 30% C1 + 20% C73
Painting Scheme 涂装F C323
Painting Scheme 涂装G C20

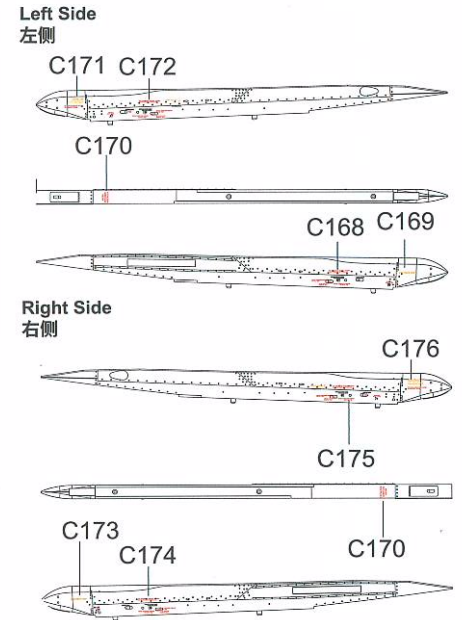
P-72 Pylon
P-72 挂架



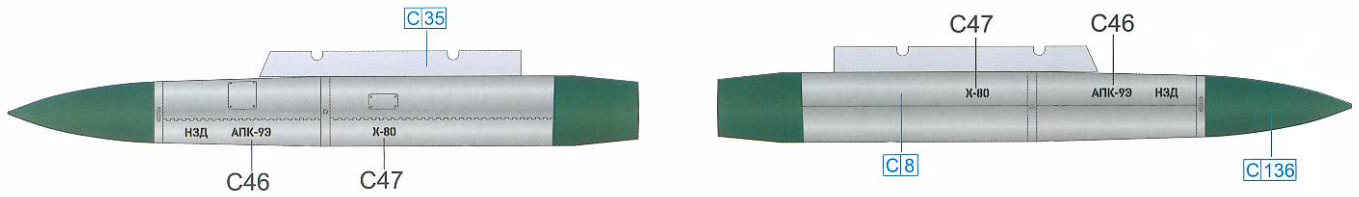
SAP-518 ECM Pod
SAP-518 电子战吊舱



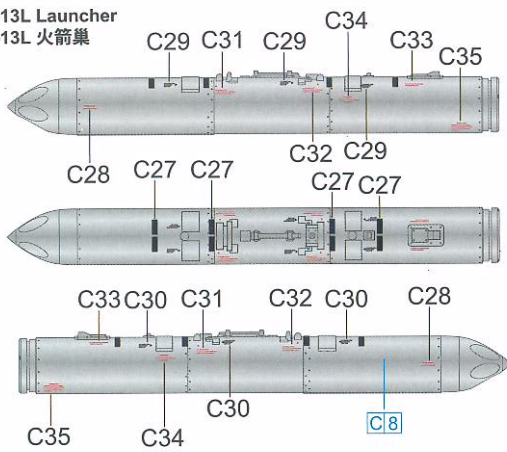
P-72 Wingtip Pylon
P-72 翼尖挂架



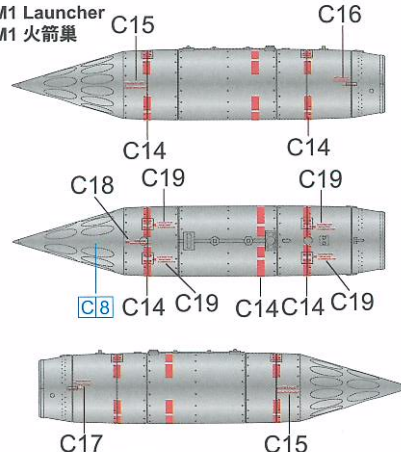
APK-9 Data Link Pod (Used With Kh-59M Missiles)
APK-9 数据链吊舱 (与Kh-59M导弹搭配使用)



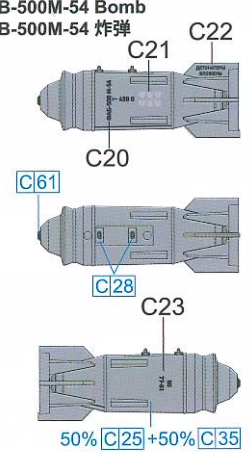
B-13L Launcher
B-13L 火箭巢



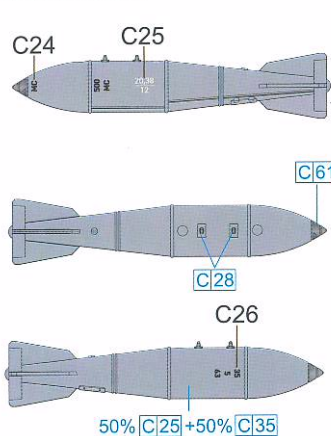
B-8M1 Launcher
B-8M1 火箭巢



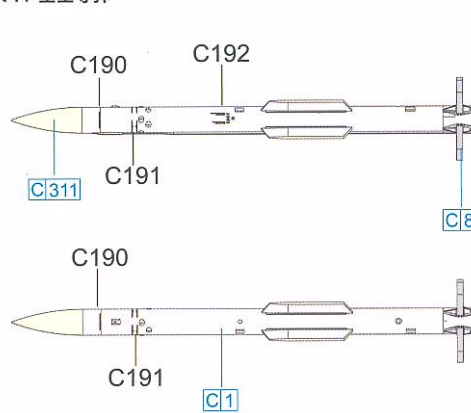
FAB-500M-54 Bomb
FAB-500M-54 炸弹



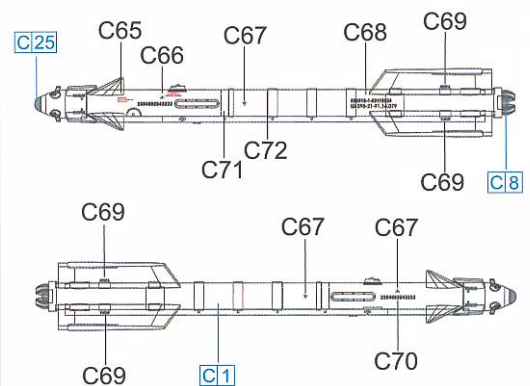
FAB-500M-62 Bomb
FAB-500M-62 炸弹



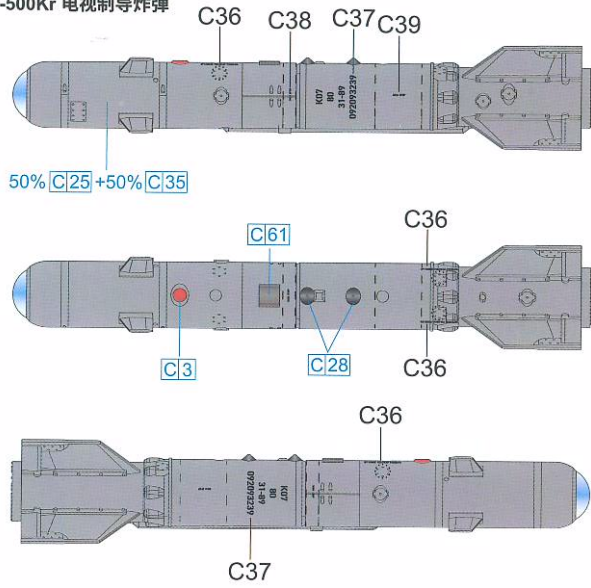
R-77 AA Missile
R-77 空空导弹



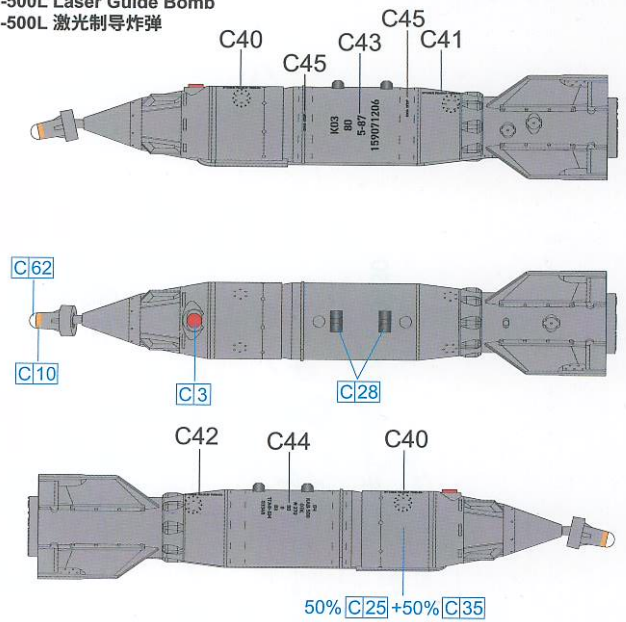
R-73 AA Missile
R-73 空空导弹



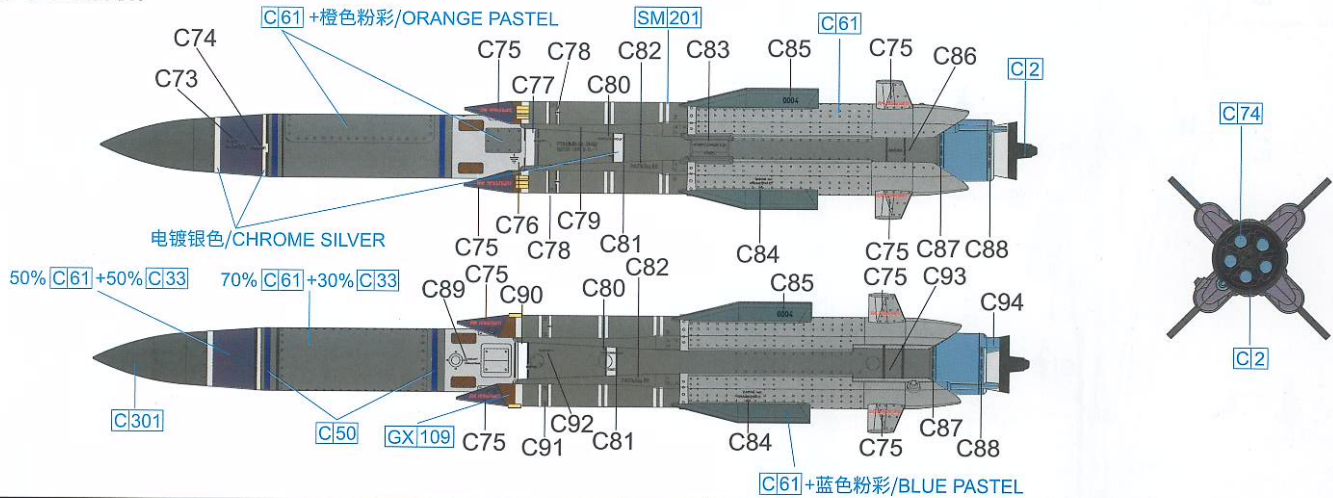
KAB-500Kr TV Guide Bomb
KAB-500Kr 电视制导炸弹



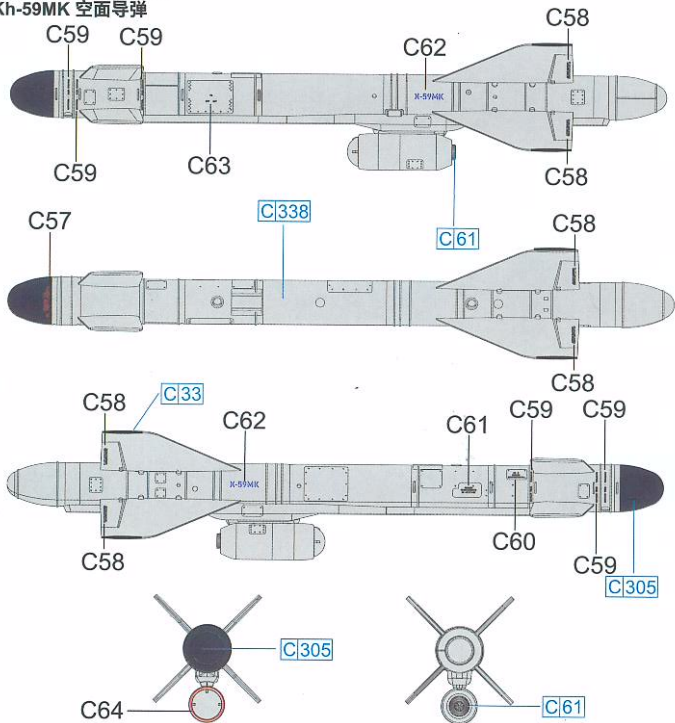
KAB-500L Laser Guide Bomb
KAB-500L 激光制导炸弹



Kh-31AD AG Missile
Kh-31AD 空面导弹



Kh-59MK AG Missile
Kh-59MK 空面导弹



Kh-59M AG Missile
Kh-59M 空面导弹

