

Dornier Alpha Jet A

Assembly guide

WMK48005
WMK48006

1/48 Scale



Drill



Remove



2 Set



Bend



Optional



Decal



Super Glue



Fill Hole



No Cement



Be Careful

CAUTION

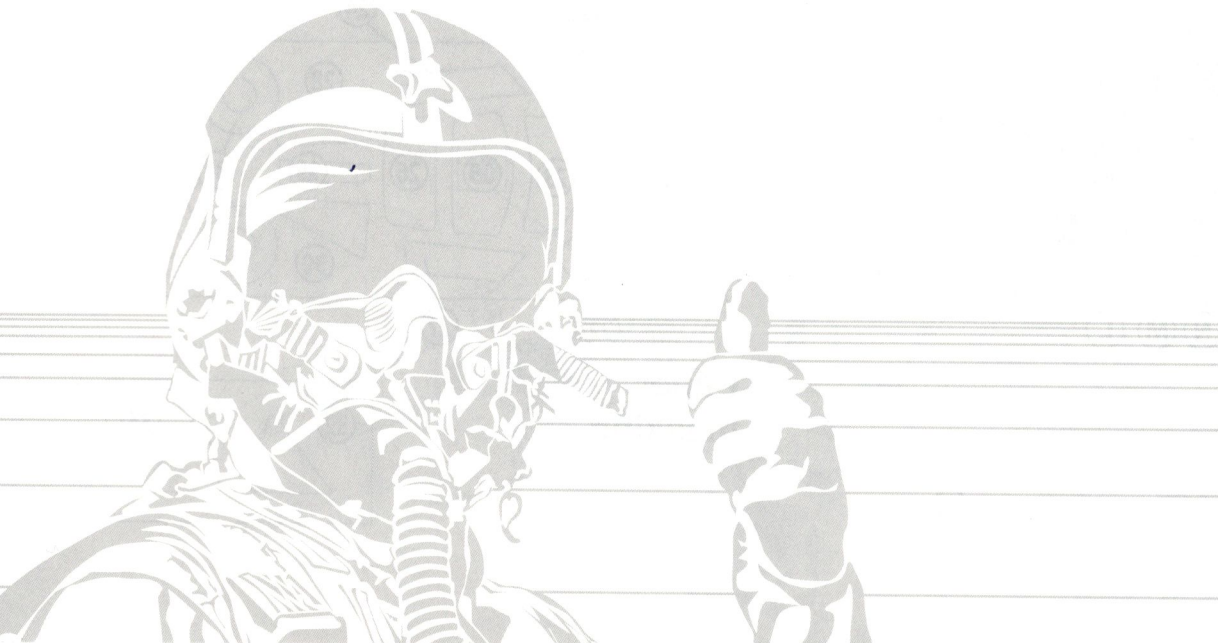
*Read carefully and fully understand the instructions before commencing assembly.

*Keep out of reach of children. Children must not be allowed to put any parts in their mouths, or pull plastic bag over their heads.

*When using adhesives and paints, please make sure not to use them in closed room or near the fire.

*When assembling this kit, tools including knives are used. Extra care should be taken to avoid injury.

WARNING: CONTAIN SMALL PARTS NOT FOR CHILDREN UNDER 14 YEARS OF AGE.



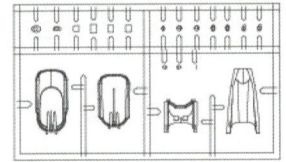
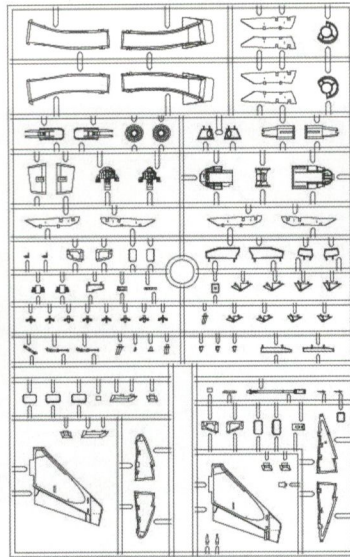
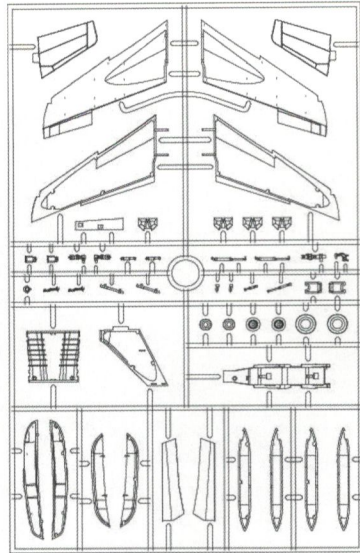
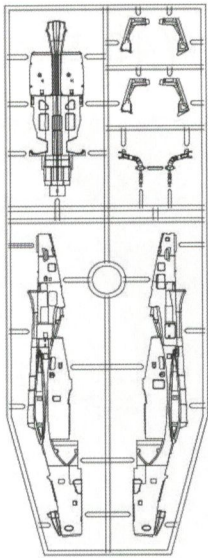
We are right beside you!

A

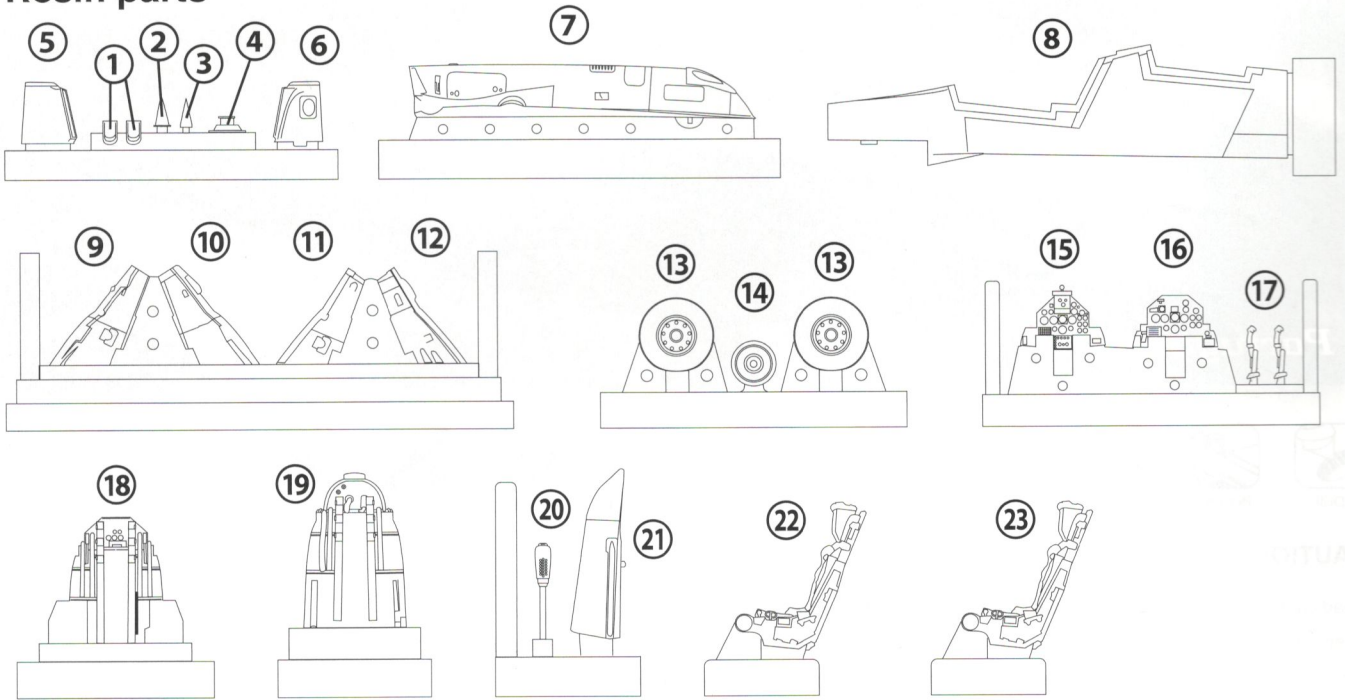
B

C

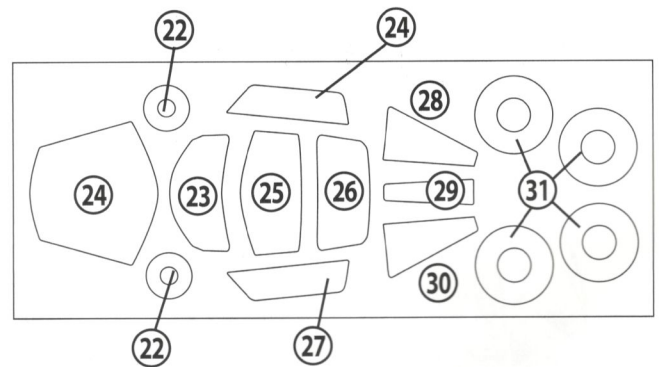
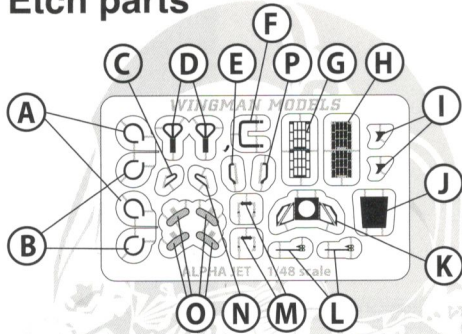
D



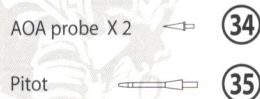
Resin parts



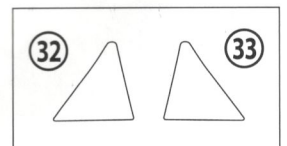
Etch parts



Brass parts

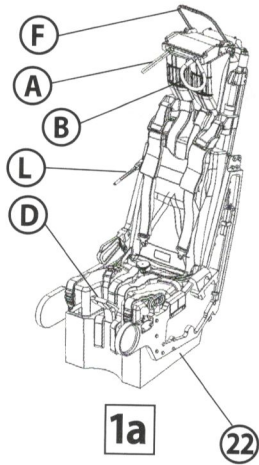


Paper masking

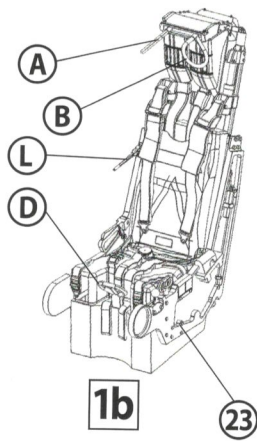


1 Stencil Seats

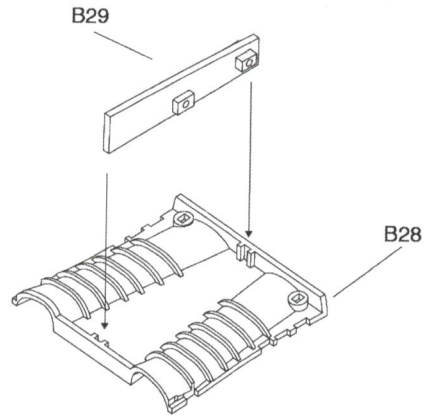
Front Seat



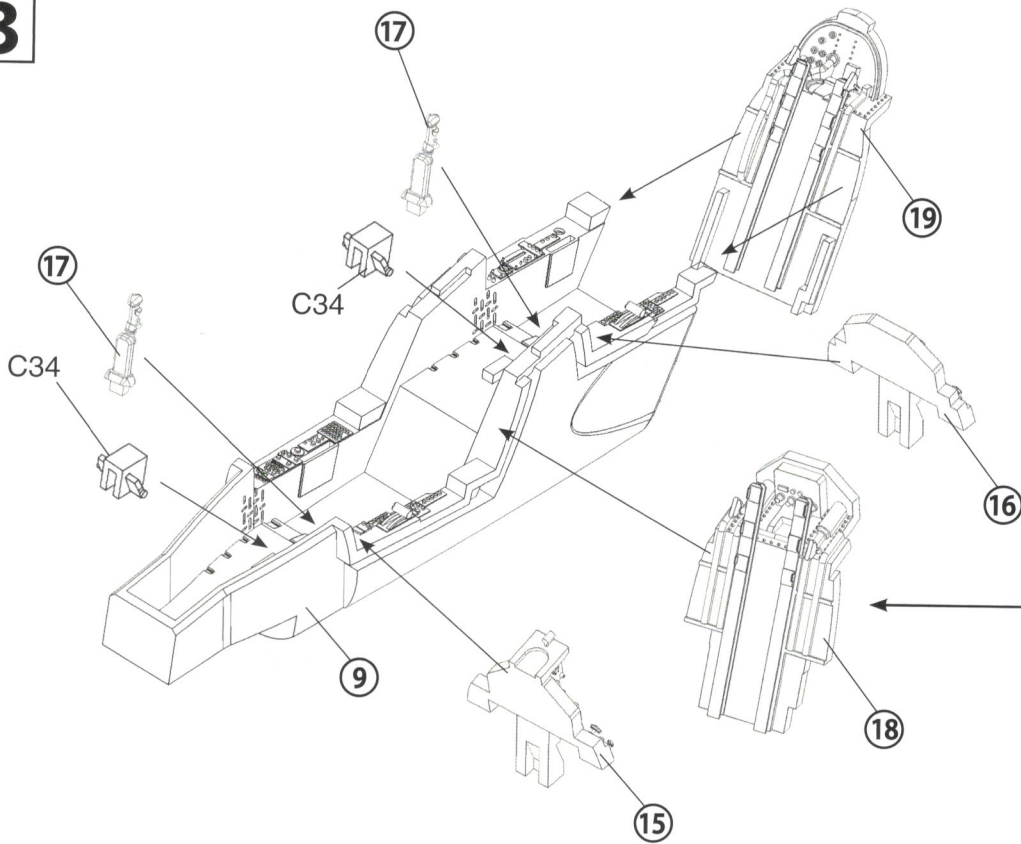
Rear Seat



2

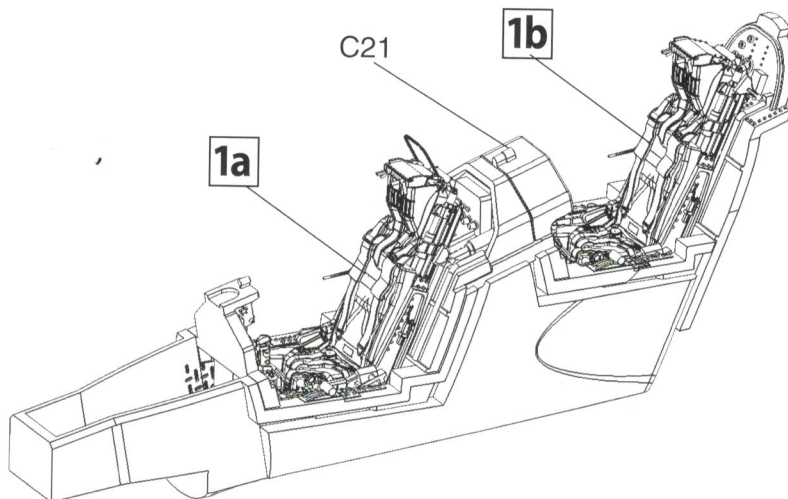


3

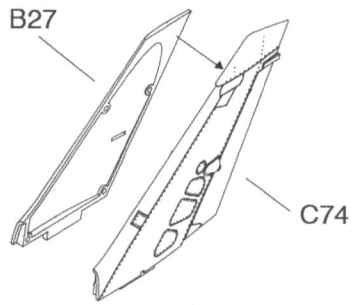


On part **18** remove the two supports for the air vents on the outer sides of the rails.

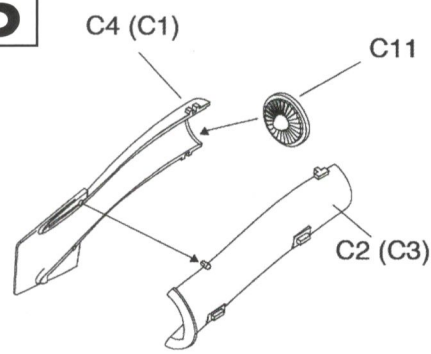
4



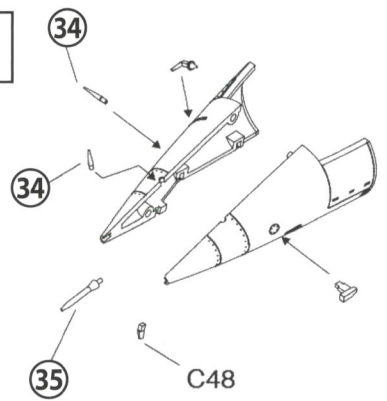
4



5



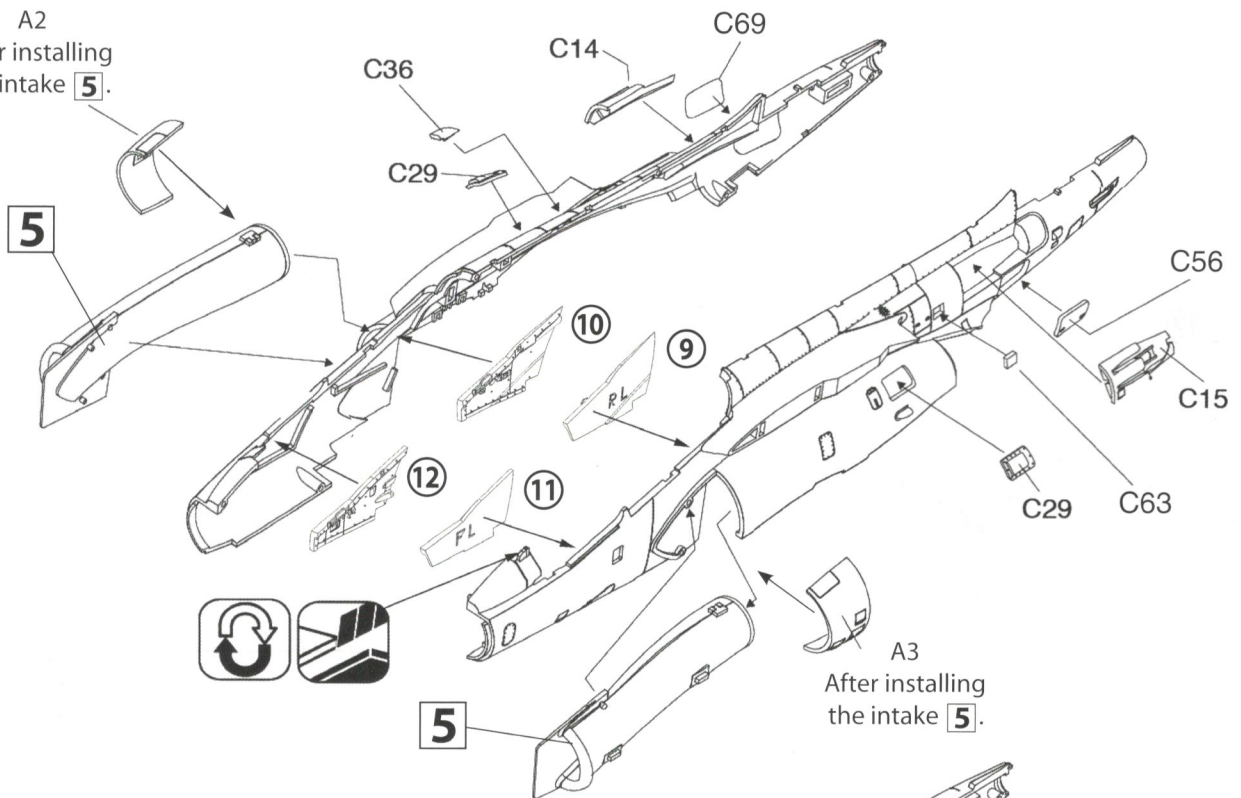
6



The numbers in the brackets refer the other side.

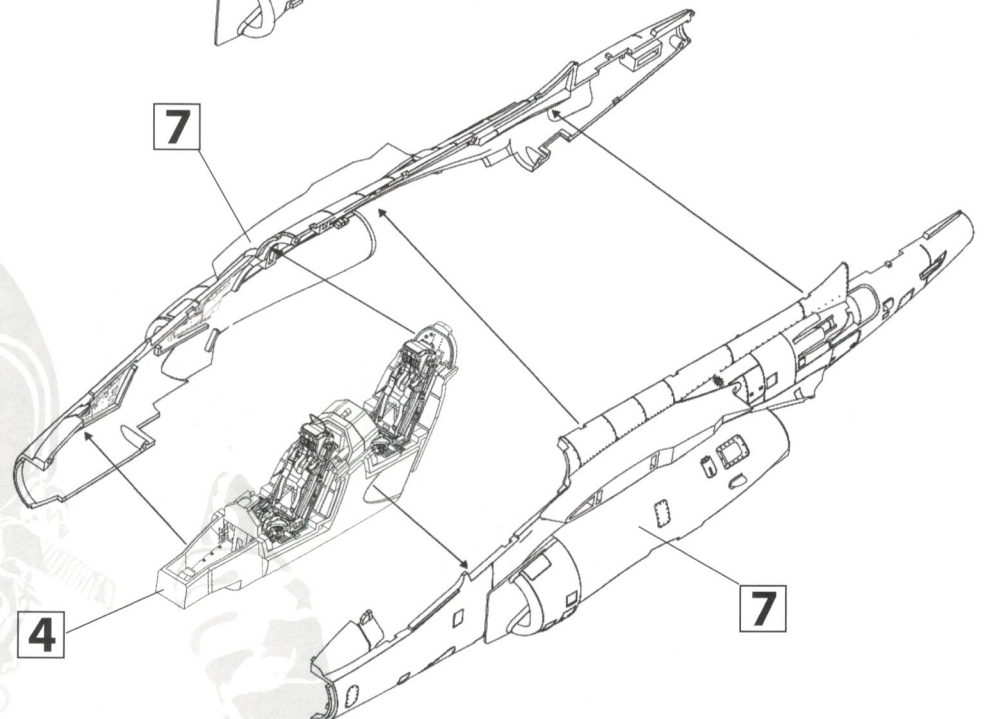
7

A2
After installing
the intake **5**.



A3
After installing
the intake **5**.

8

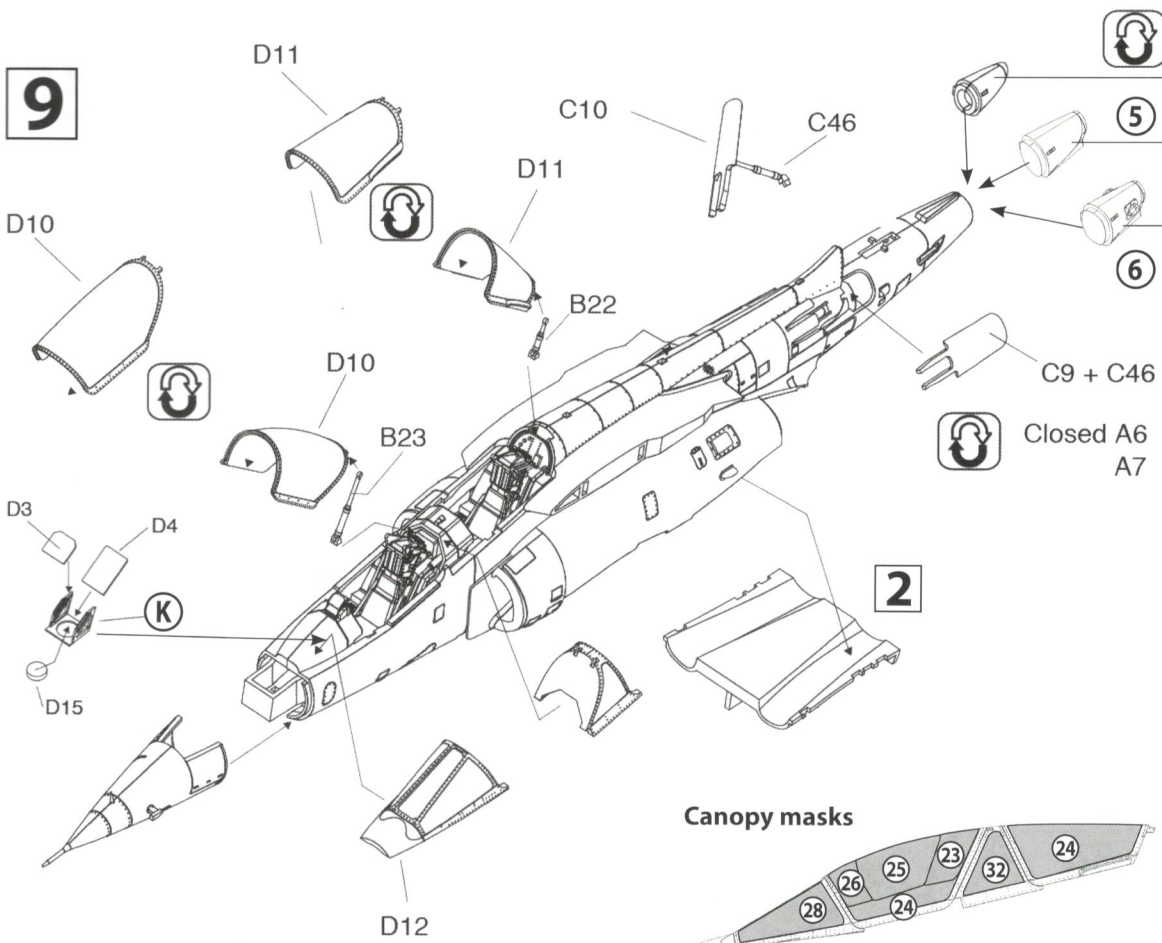


4

4

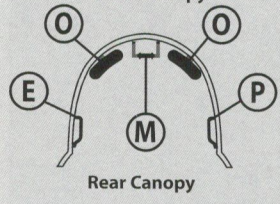
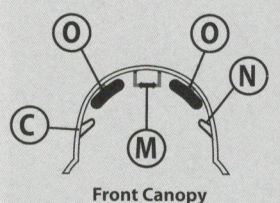
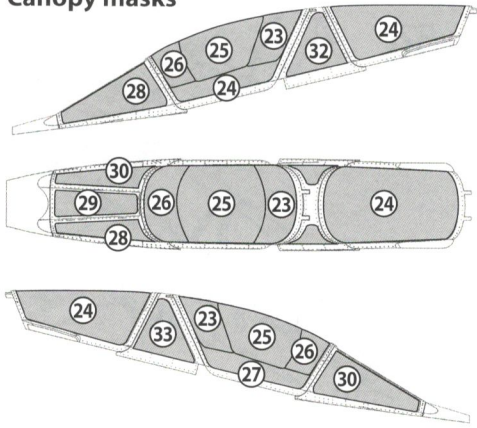
7

9

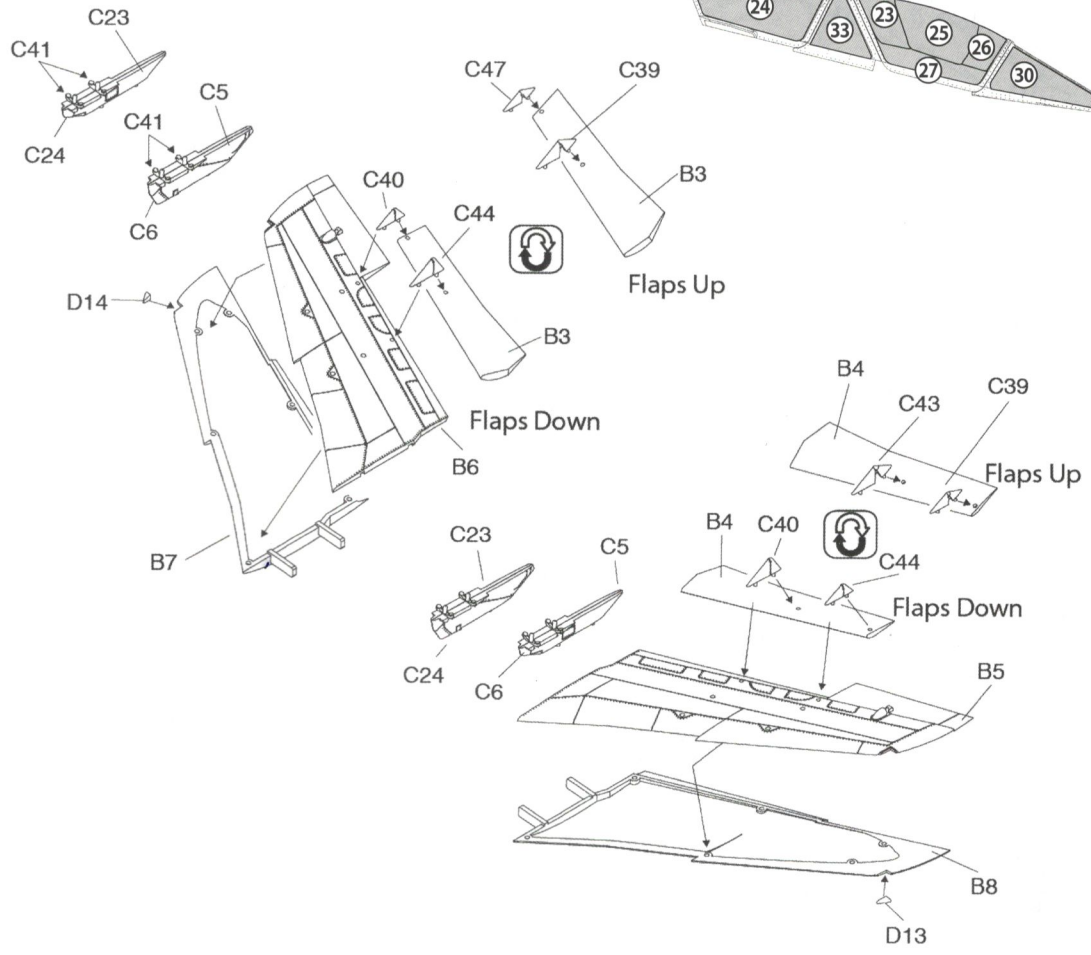


2

Canopy masks



10

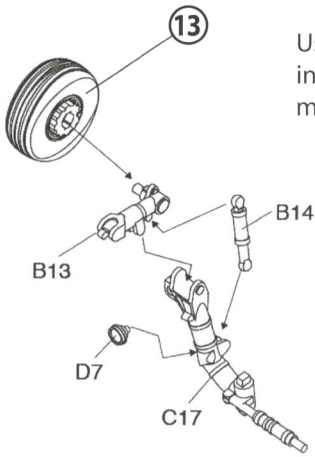


On front canopy attach masks #24 and #27 first.

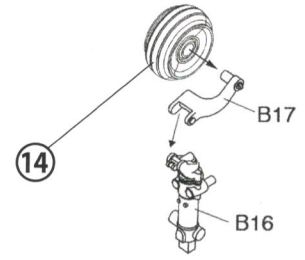
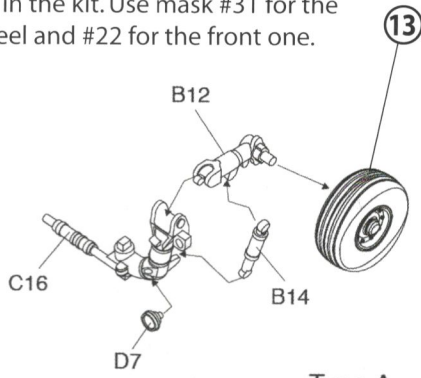
If you are modeling an aircraft of the ASAS Do Portugal or the Blue "50 Anos", you should not use any pylons or ordnance.



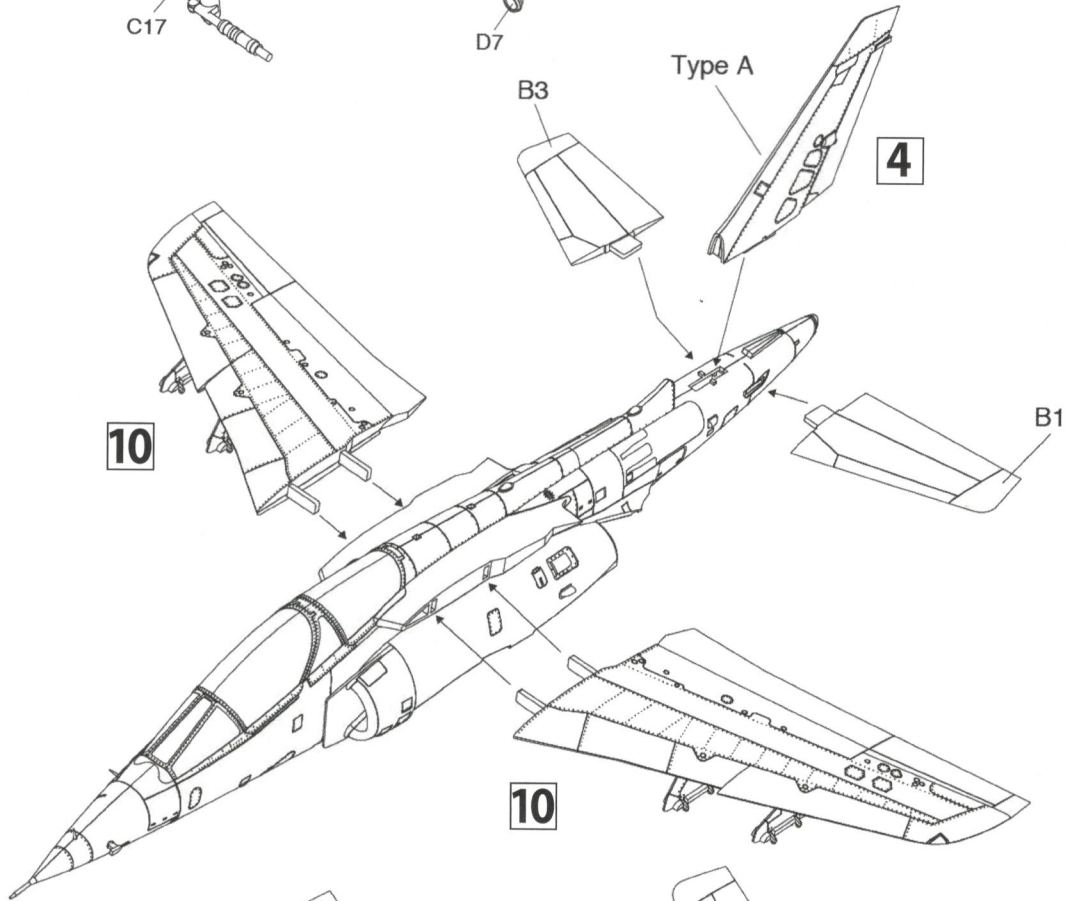
11



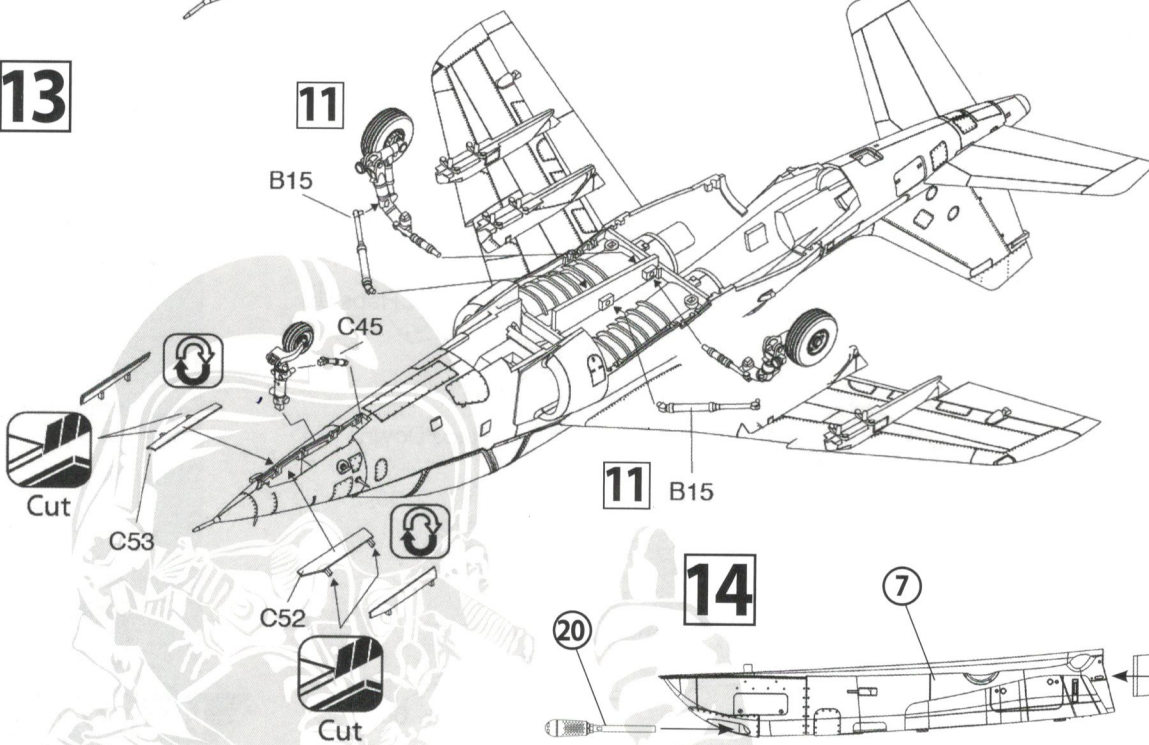
Use pre-cut masks for Alpha Jet wheels, included in the kit. Use mask #31 for the main wheel and #22 for the front one.



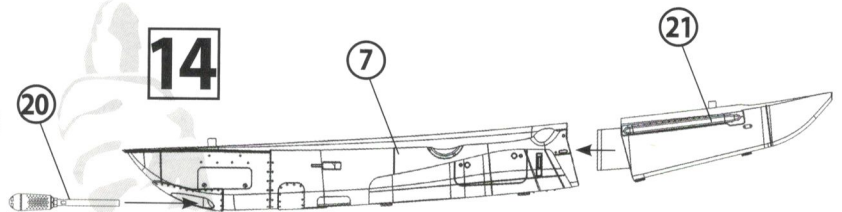
12



13



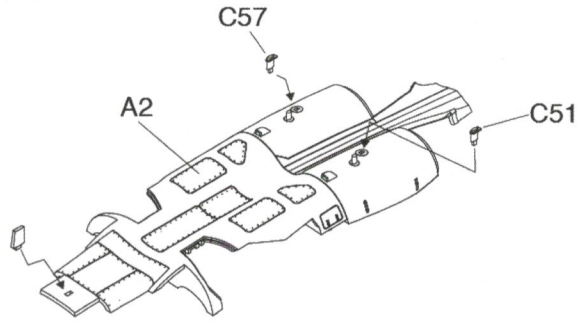
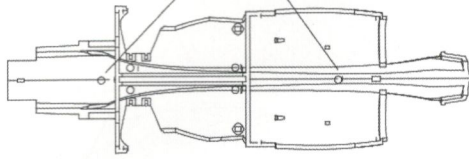
14



15

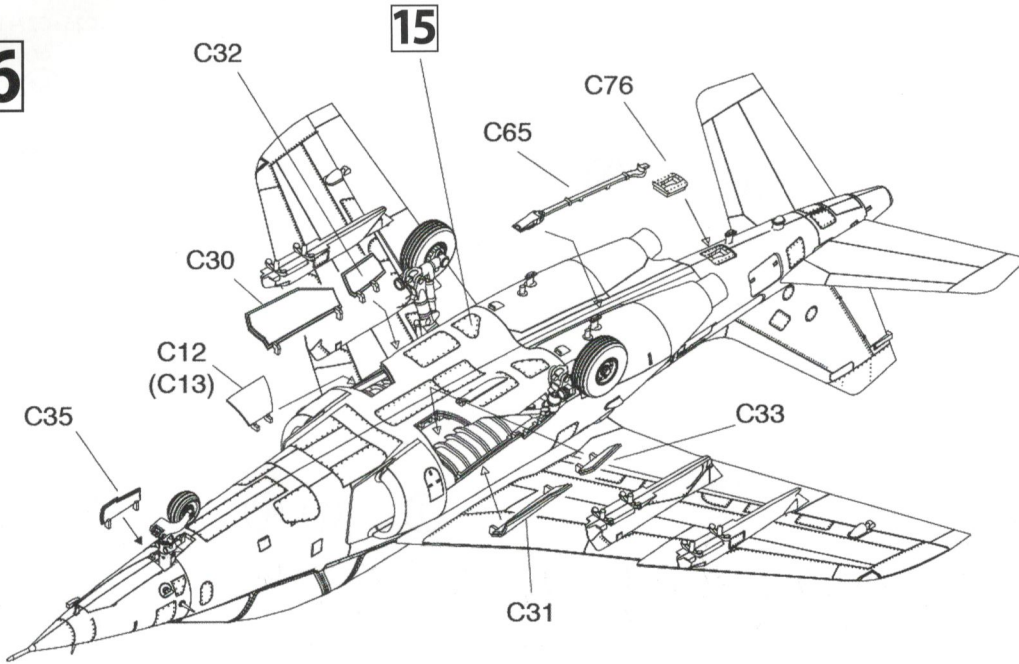


Drill

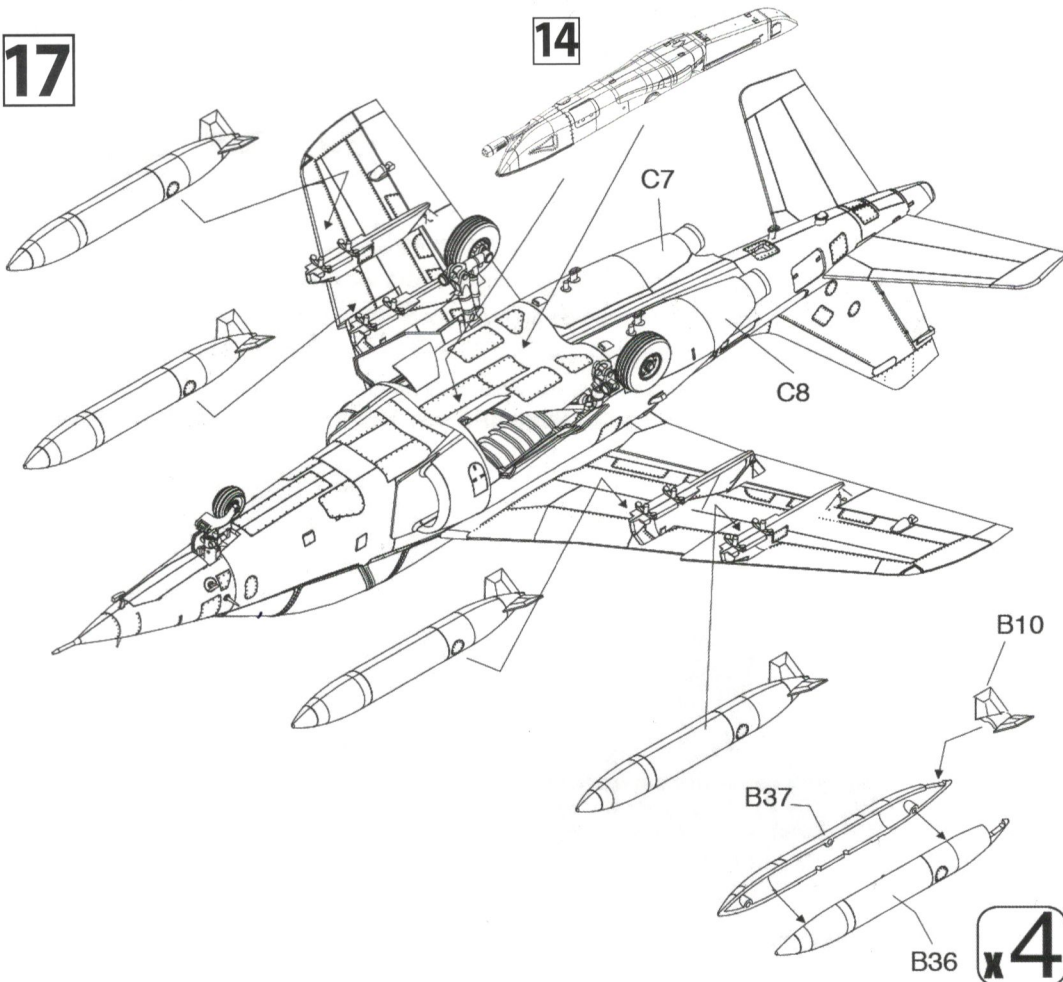


Drill holes as seen if you plan to install the gun pod.

16



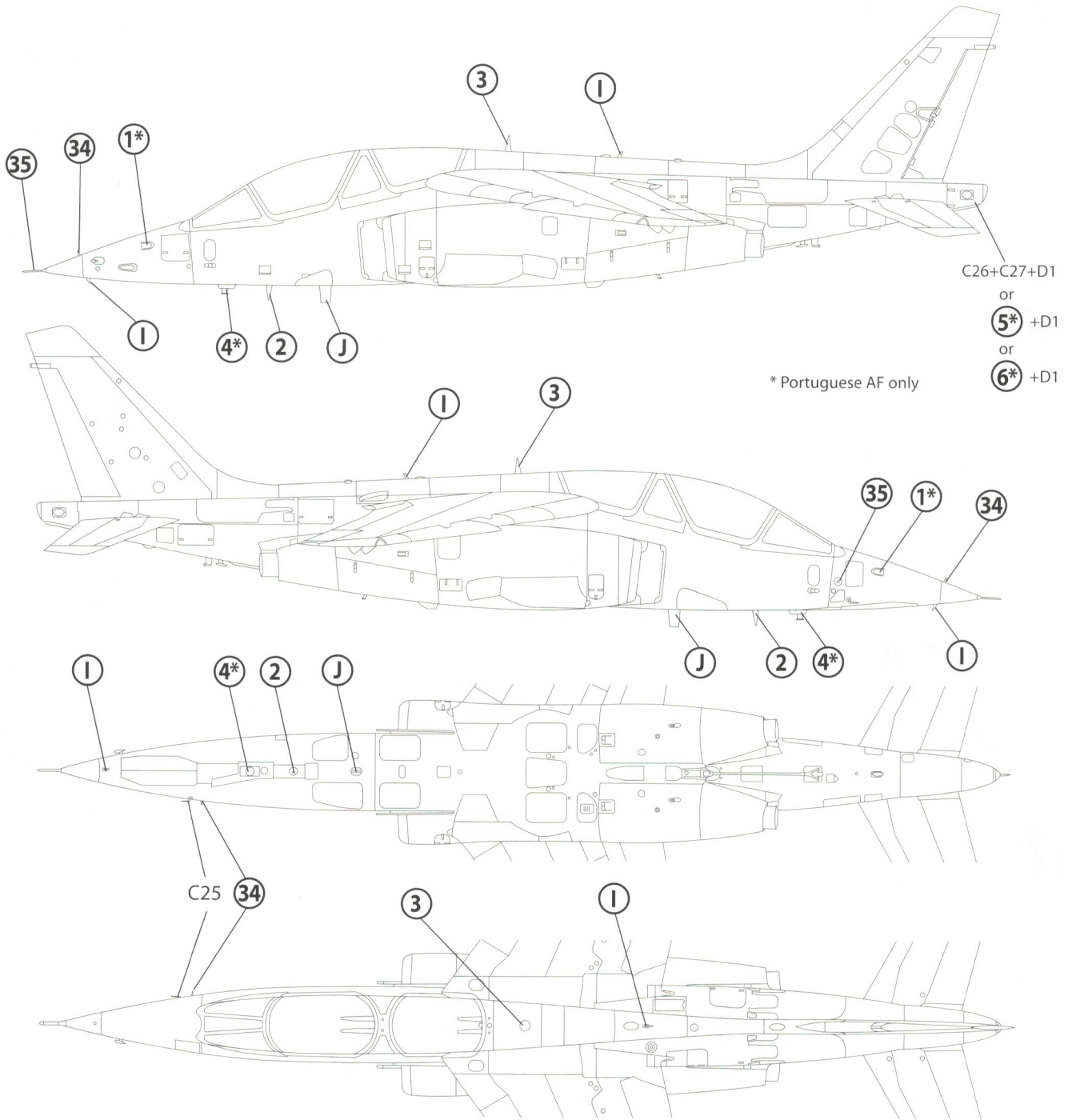
17



x4



Antenna locations (photo-etch and resin parts).



* Portuguese AF only

C26+C27+D1
or
5* +D1
or
6* +D1

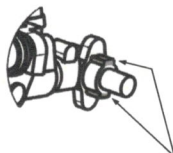
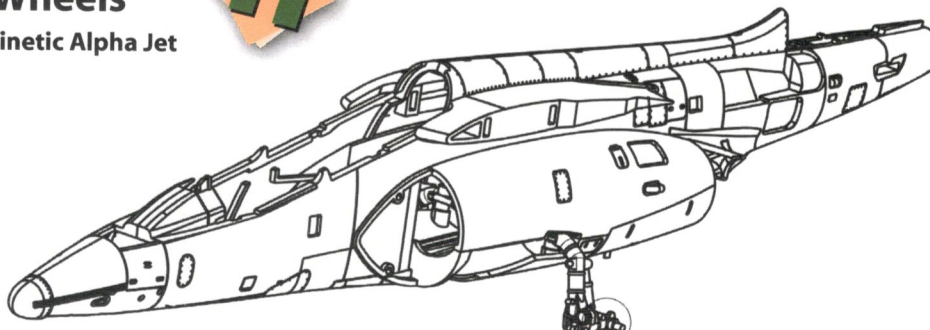


We are right beside you!

WMF 48001 1/48

Alpha Jet Wheels

For Kinetic Alpha Jet



For perfect fit of our super detailed wheels remove grey areas



A: after modification



We are right beside you!

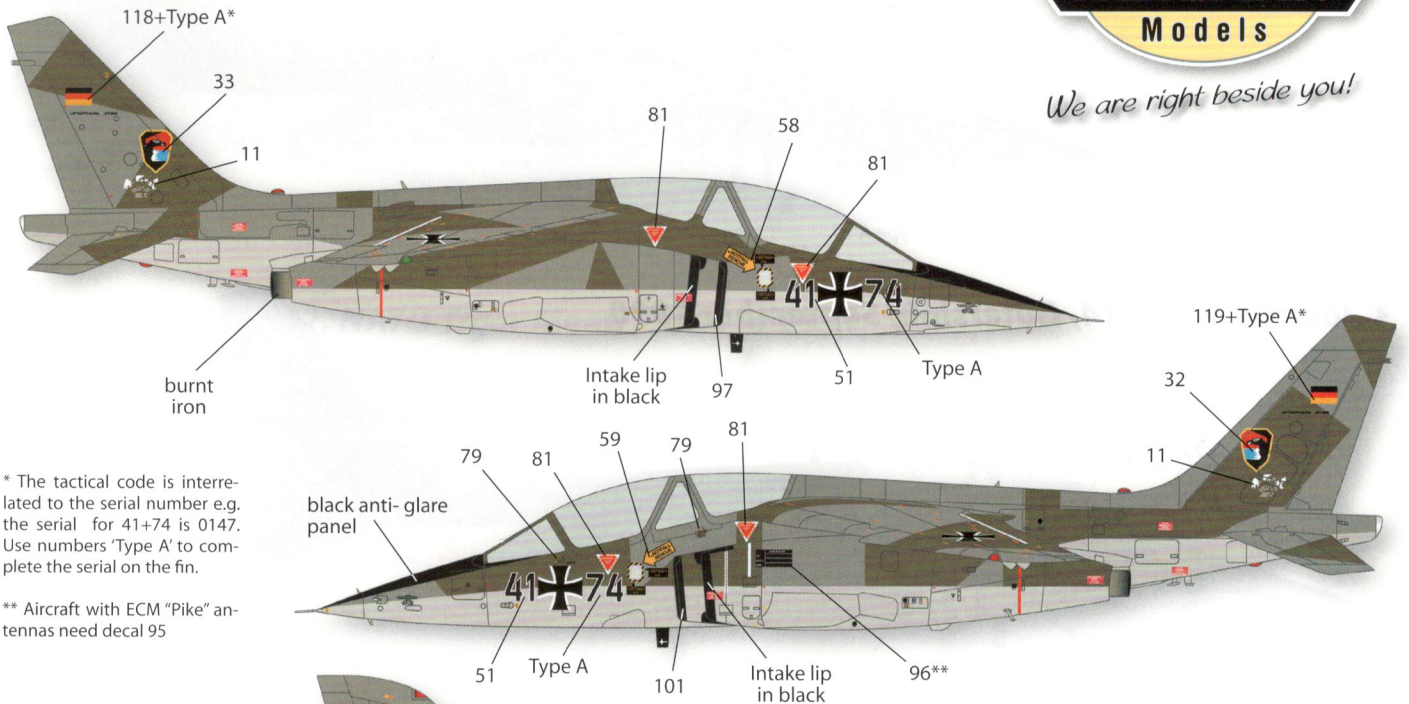
www.wingmanmodels.com

Luftwaffe Alpha Jets

Colour and decal application guide



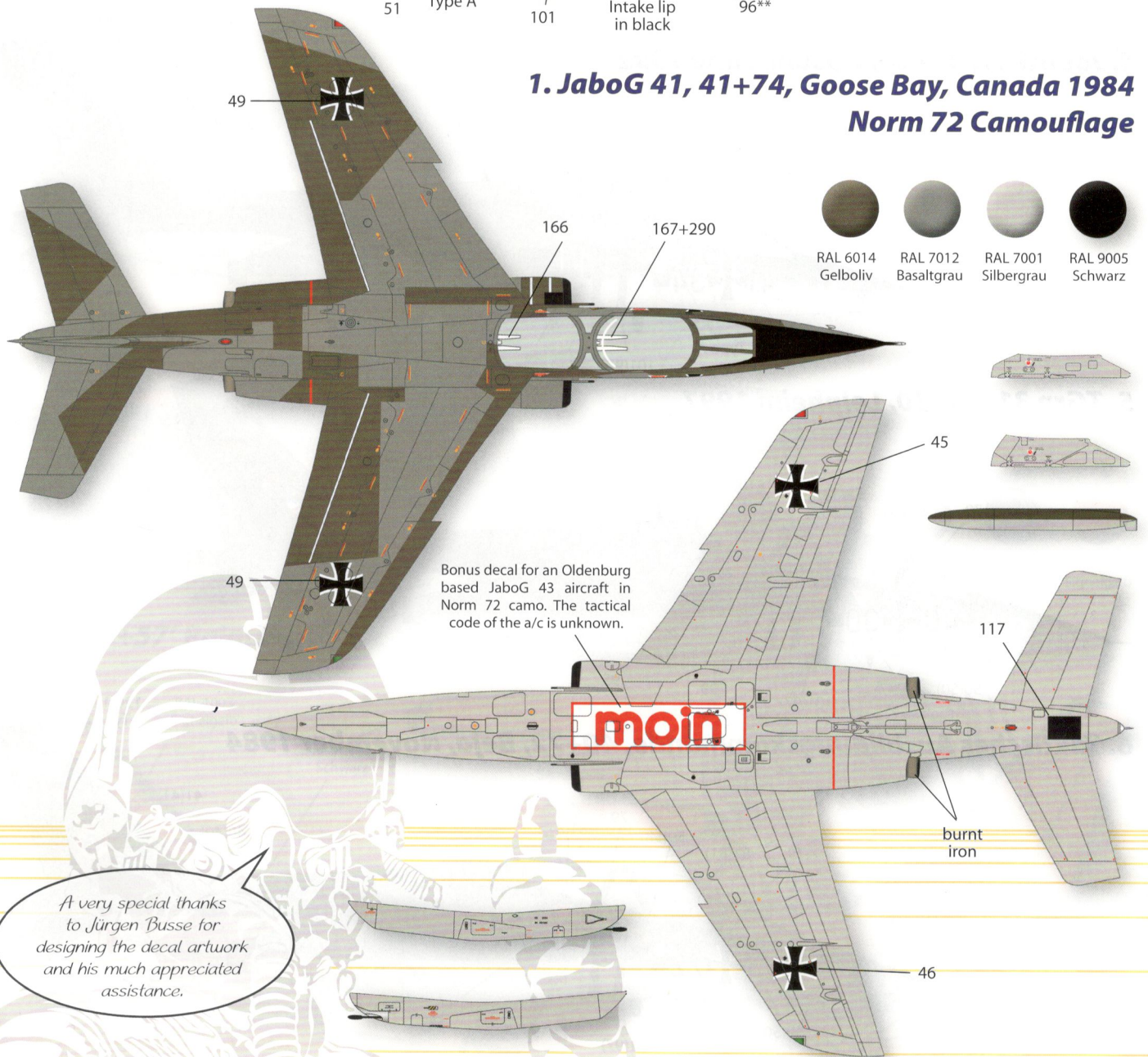
We are right beside you!



* The tactical code is interrelated to the serial number e.g. the serial for 41+74 is 0147. Use numbers 'Type A' to complete the serial on the fin.

** Aircraft with ECM "Pike" antennas need decal 95

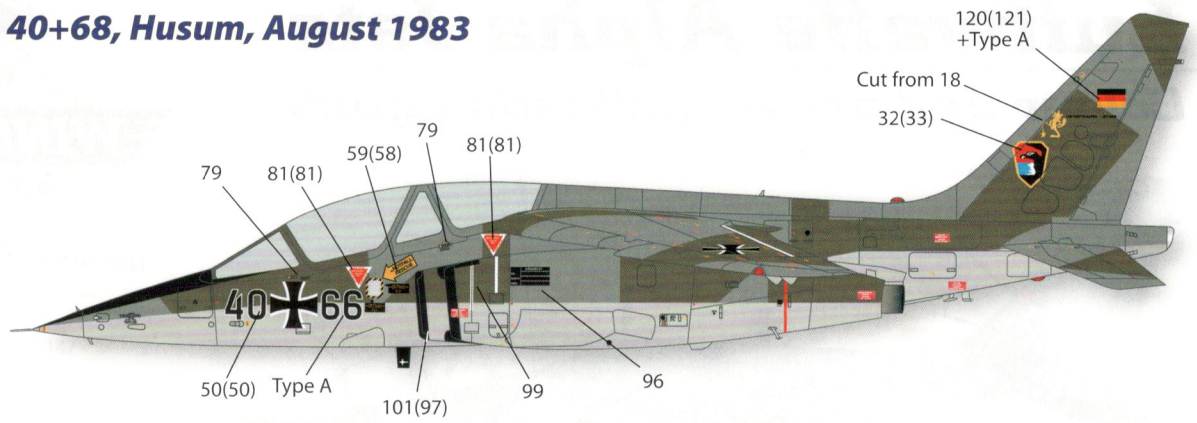
1. JaboG 41, 41+74, Goose Bay, Canada 1984 Norm 72 Camouflage



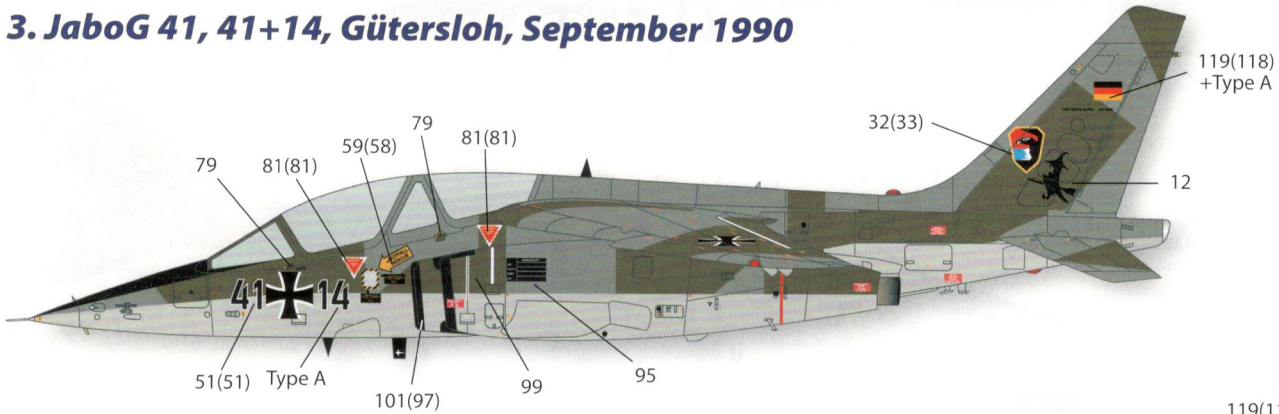
Bonus decal for an Oldenburg based JaboG 43 aircraft in Norm 72 camo. The tactical code of the a/c is unknown.

A very special thanks to Jürgen Busse for designing the decal artwork and his much appreciated assistance.

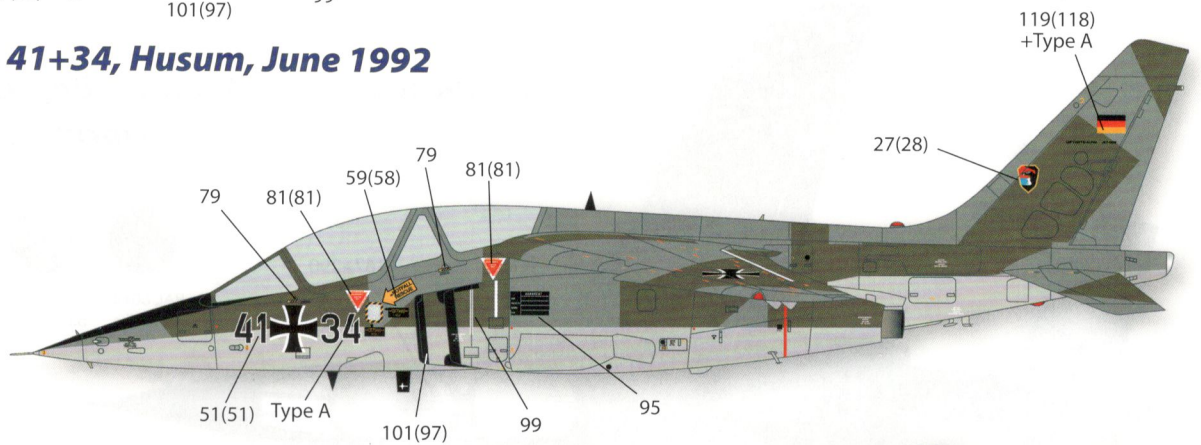
2. JaboG 41, 40+68, Husum, August 1983



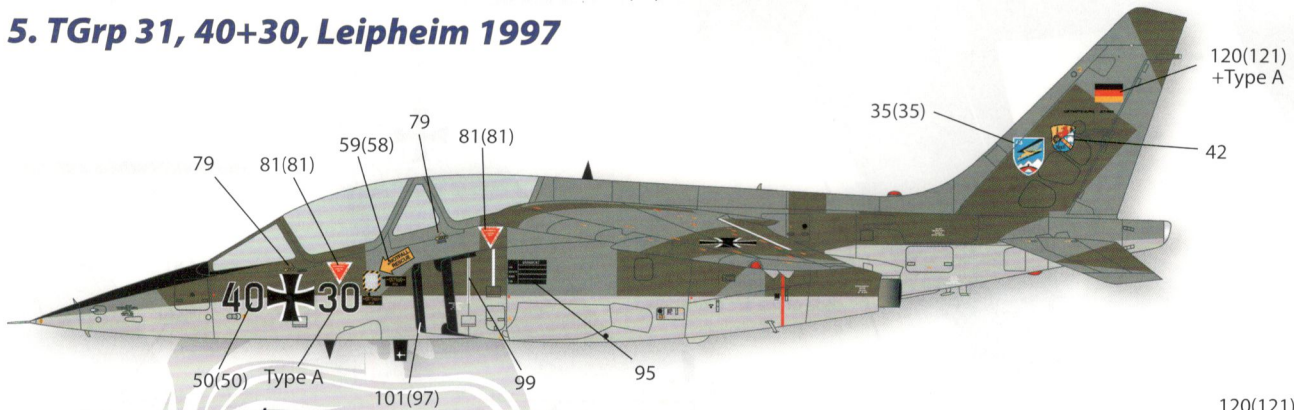
3. JaboG 41, 41+14, Gütersloh, September 1990



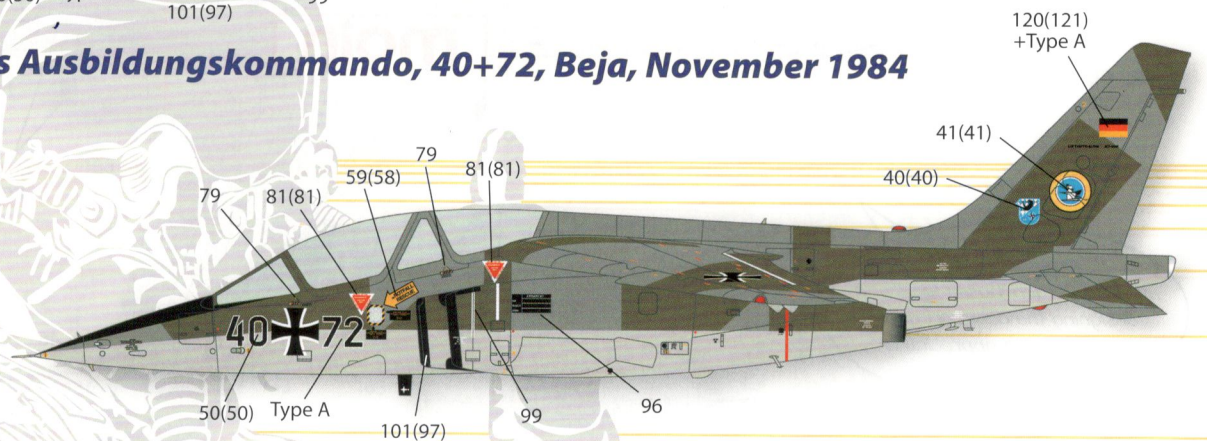
4. JaboG 41, 41+34, Husum, June 1992



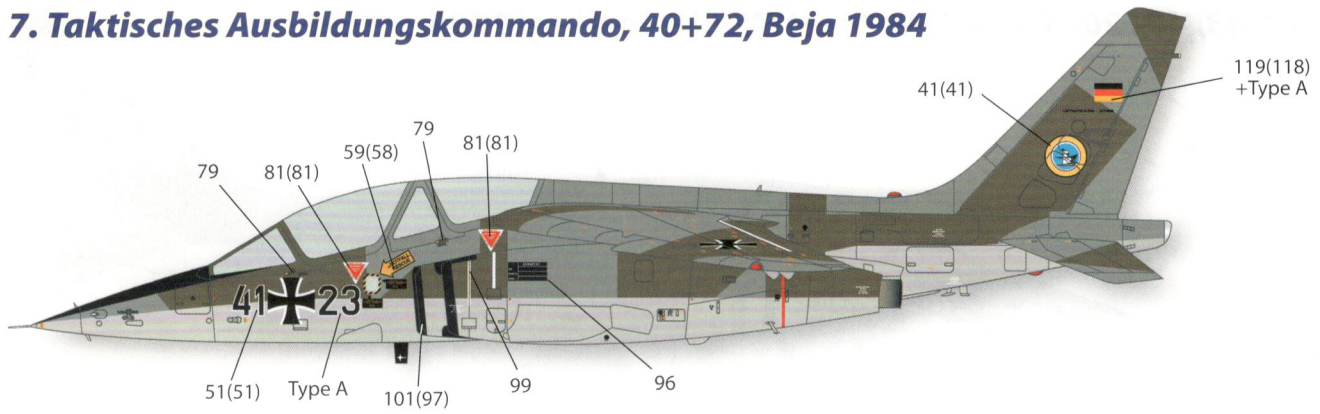
5. TGrp 31, 40+30, Leipheim 1997



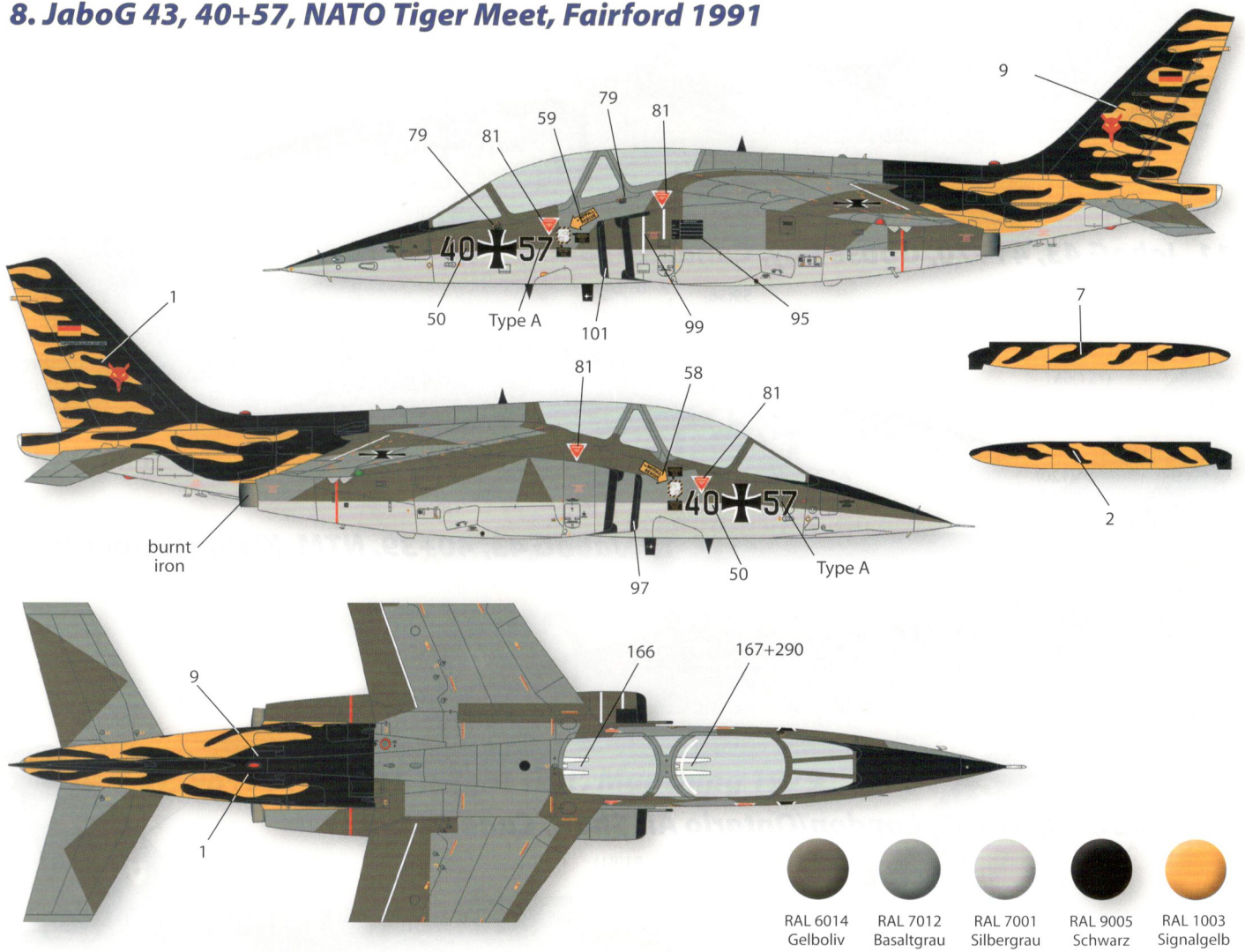
6. Taktisches Ausbildungskommando, 40+72, Beja, November 1984



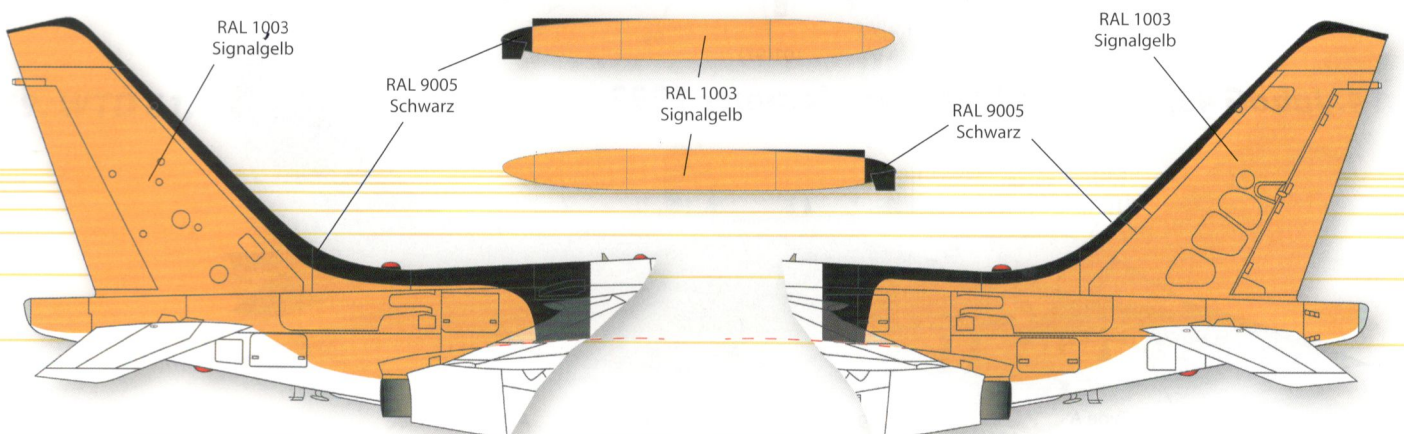
7. Taktisches Ausbildungskommando, 40+72, Beja 1984



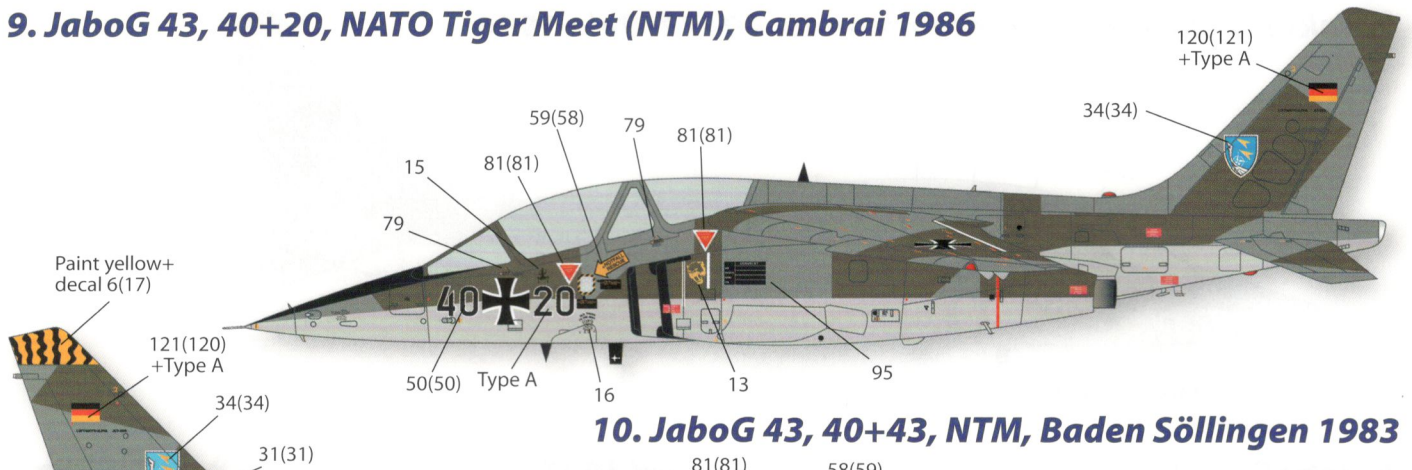
8. JaboG 43, 40+57, NATO Tiger Meet, Fairford 1991



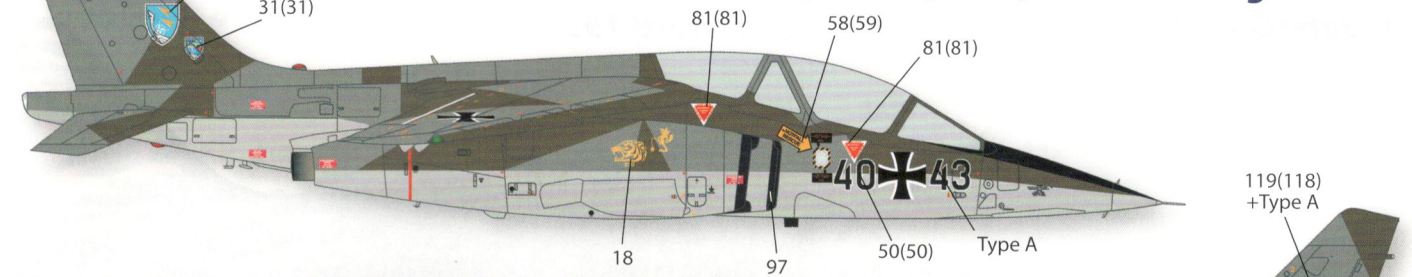
'Tiger 40+57' Painting Guide



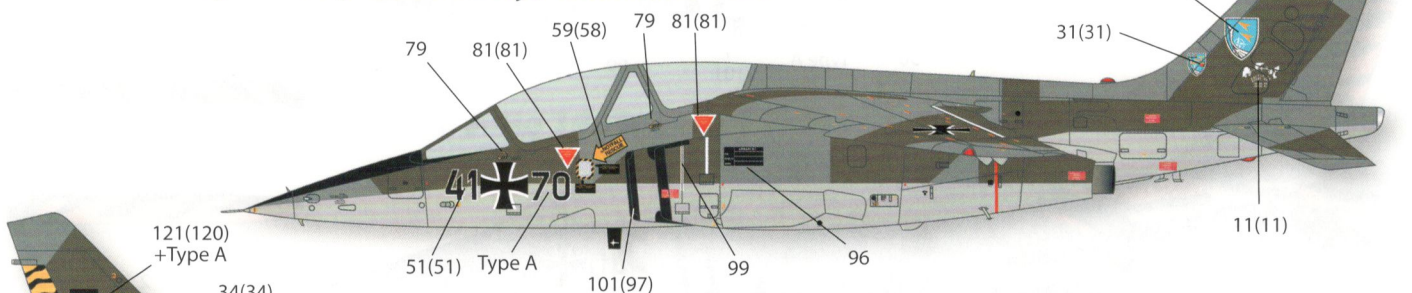
9. JaboG 43, 40+20, NATO Tiger Meet (NTM), Cambrai 1986



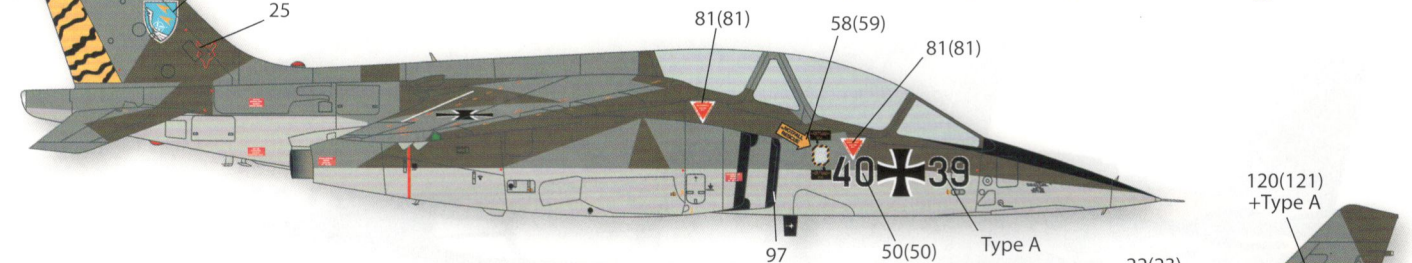
10. JaboG 43, 40+43, NTM, Baden Söllingen 1983



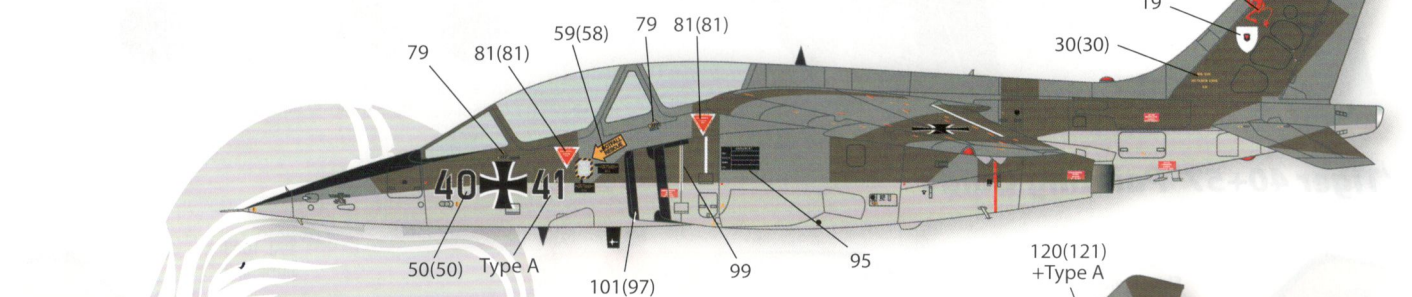
11. JaboG 43, 41+70, Goose Bay, Canada 1984



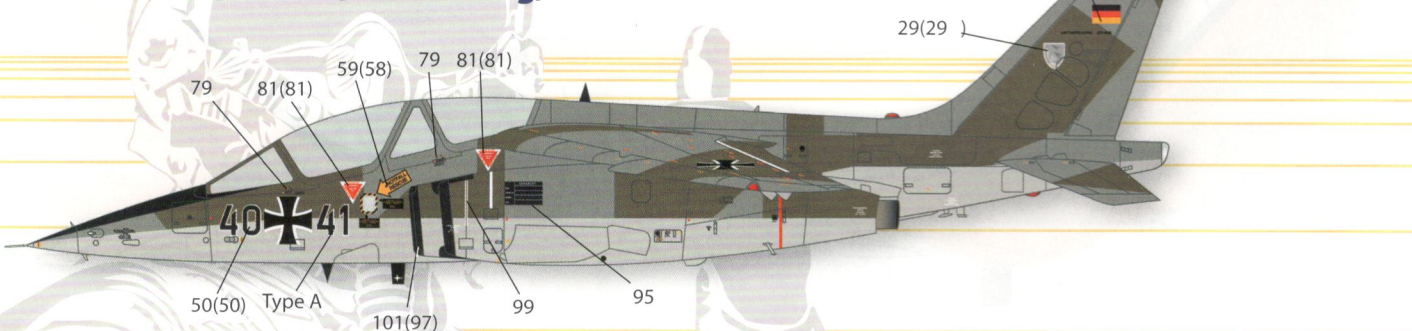
12. JaboG 43, 40+39, NTM, Kleine Brogel 1985



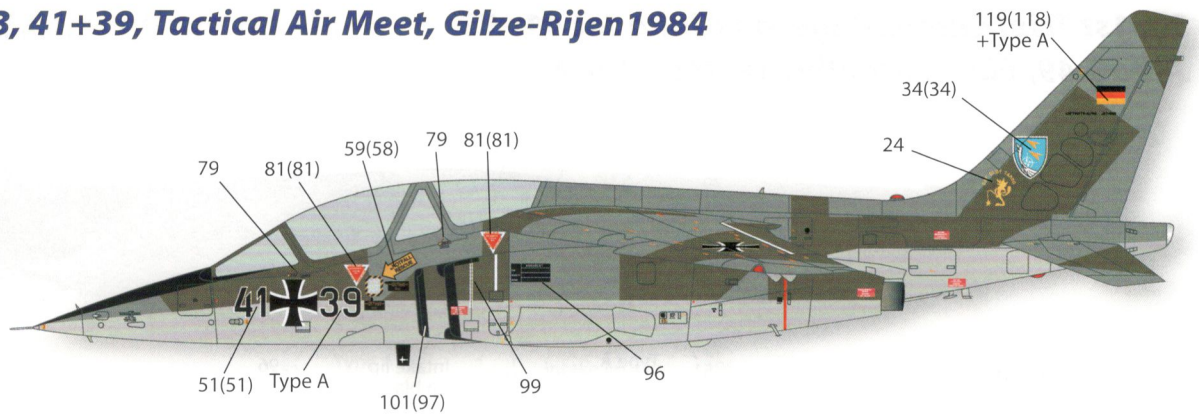
13. JaboG 43, 40+41, London/Ontario Air Show, Canada 1993



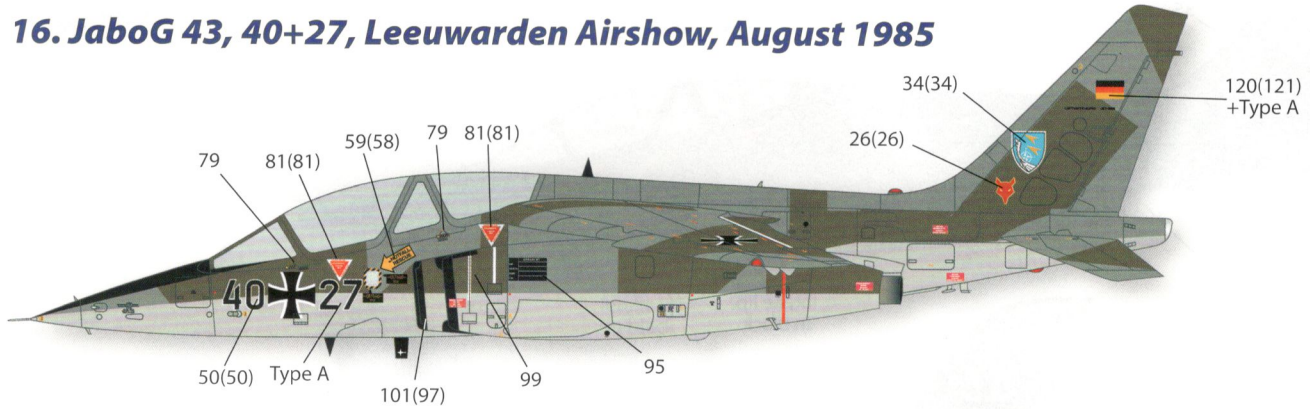
14. JaboG 43, 40+41, Oldenburg, Sommer 1992



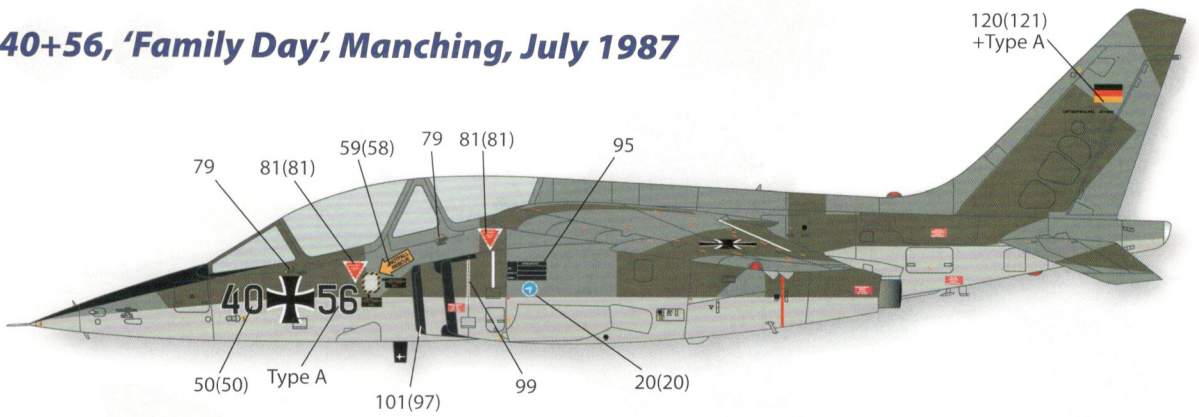
15. JaboG 43, 41+39, Tactical Air Meet, Gilze-Rijen 1984



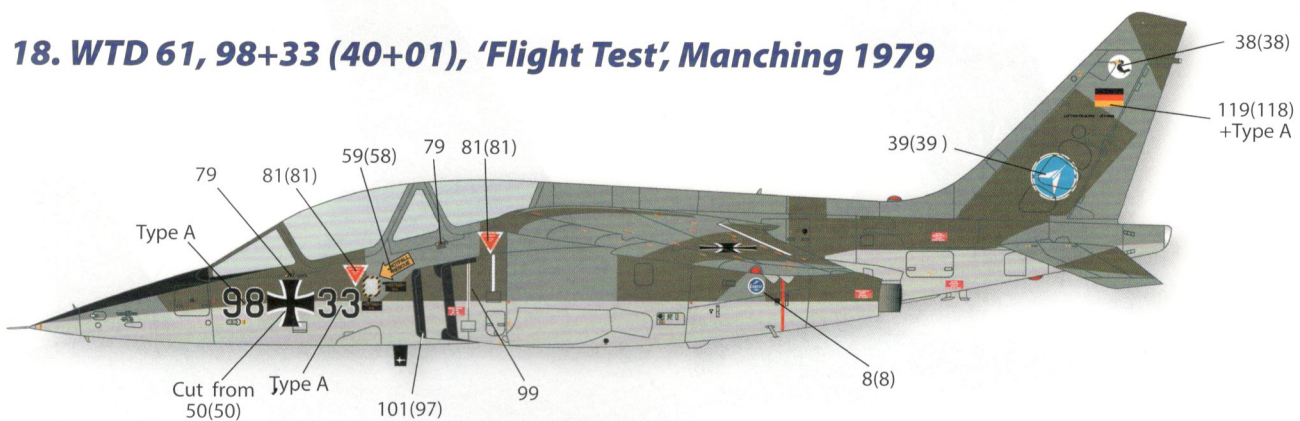
16. JaboG 43, 40+27, Leeuwarden Airshow, August 1985



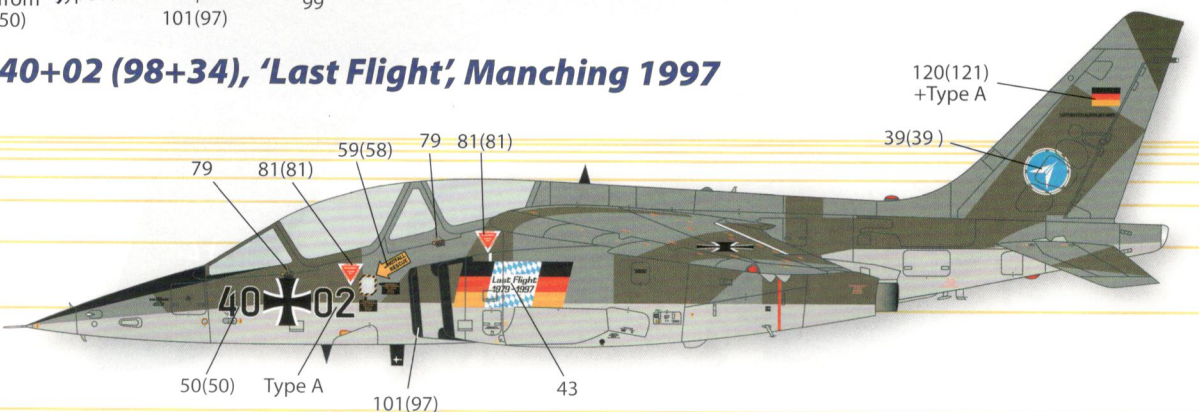
17. WTD 61, 40+56, 'Family Day', Manching, July 1987



18. WTD 61, 98+33 (40+01), 'Flight Test', Manching 1979



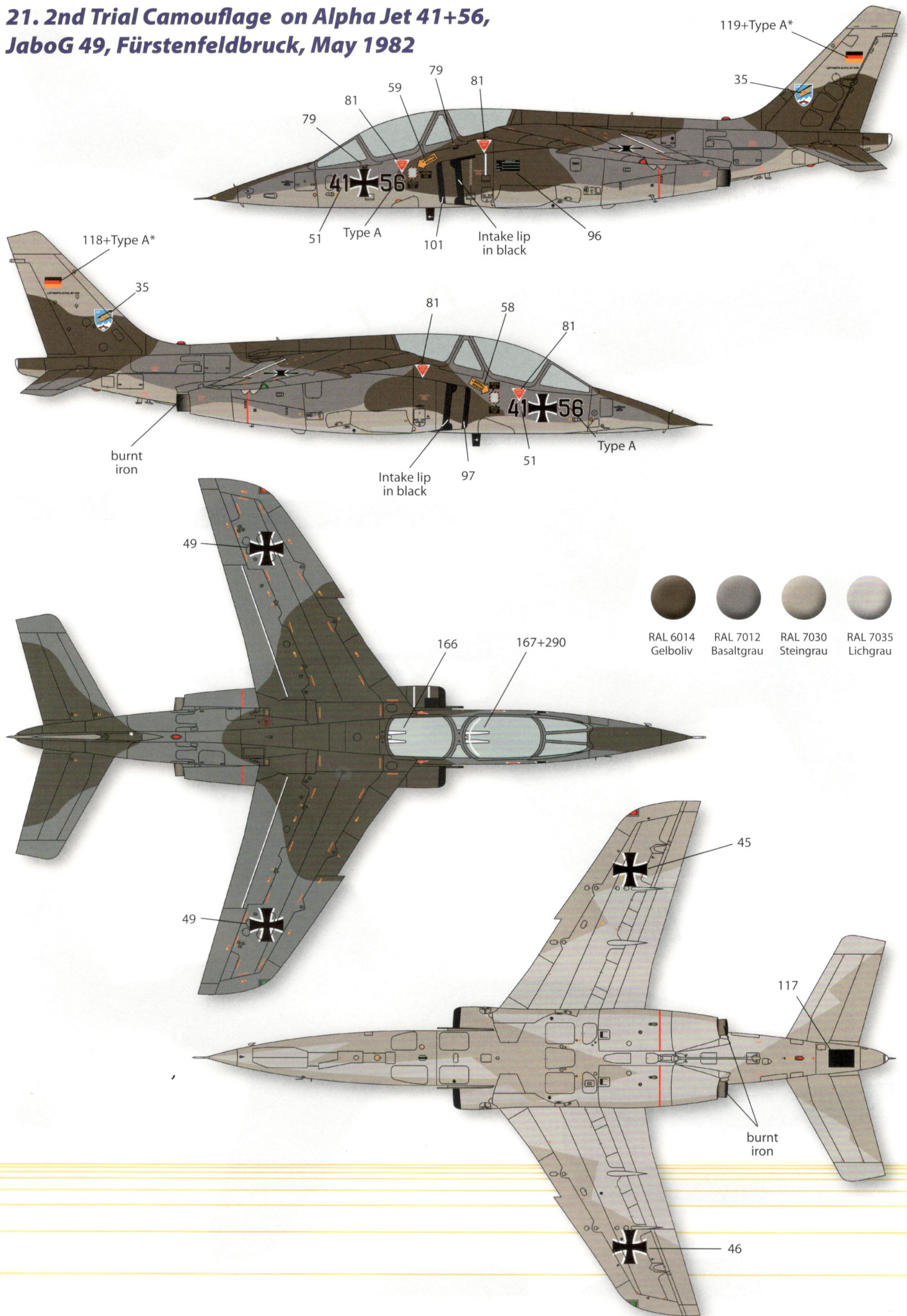
19. WTD 61, 40+02 (98+34), 'Last Flight', Manching 1997



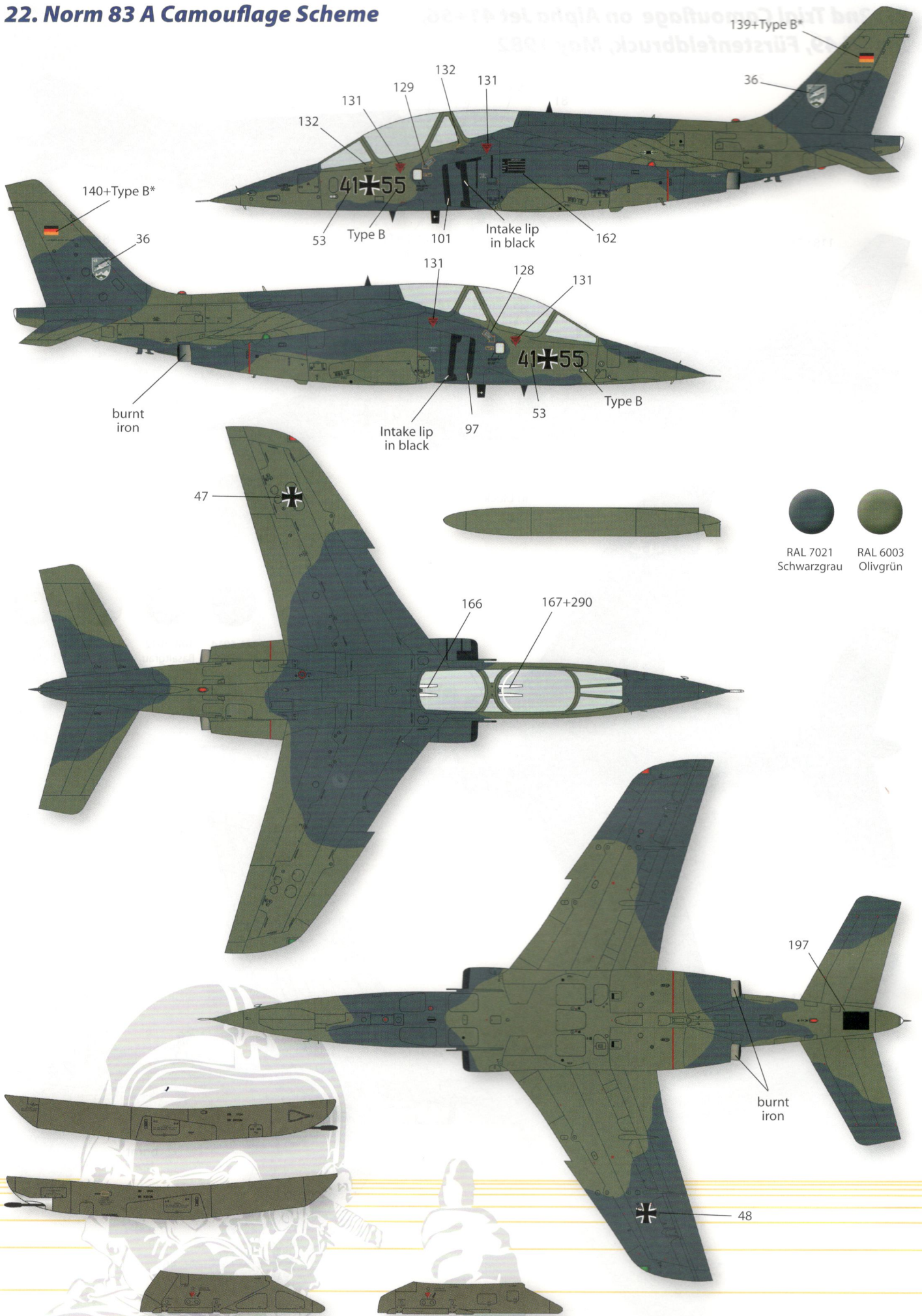
**20. 1st Trial Camouflage on Alpha Jet 41+55,
JaboG 49, Fürstenfeldbruck, May 1982**



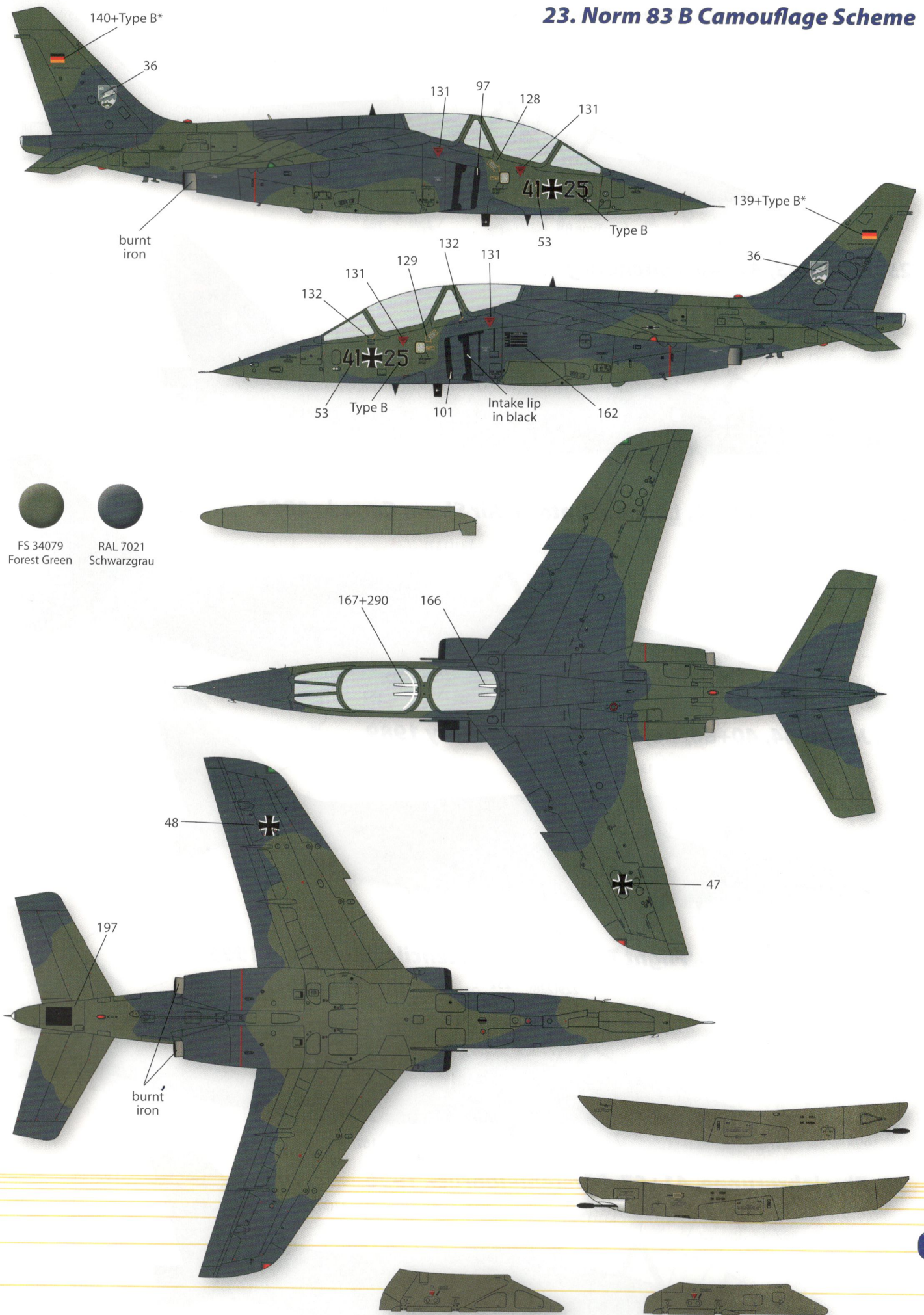
21. 2nd Trial Camouflage on Alpha Jet 41+56, JaboG 49, Fürstenfeldbruck, May 1982



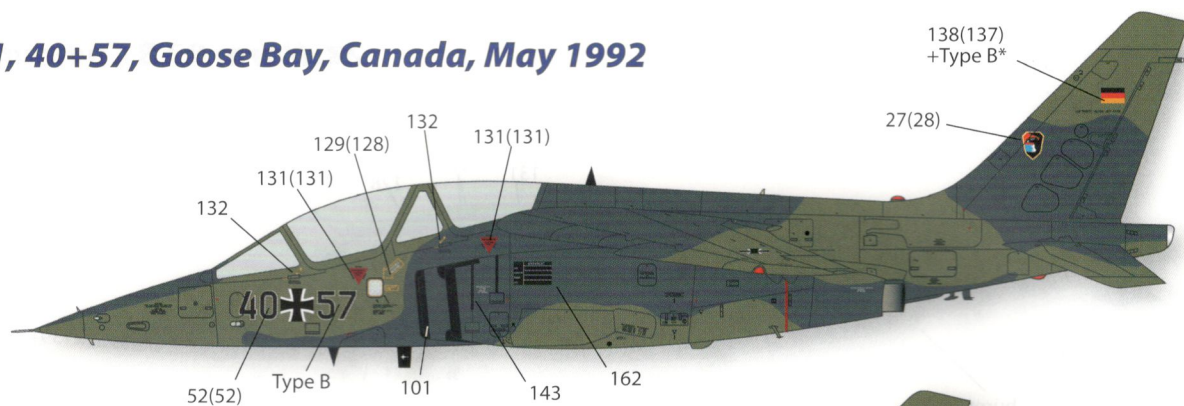
22. Norm 83 A Camouflage Scheme



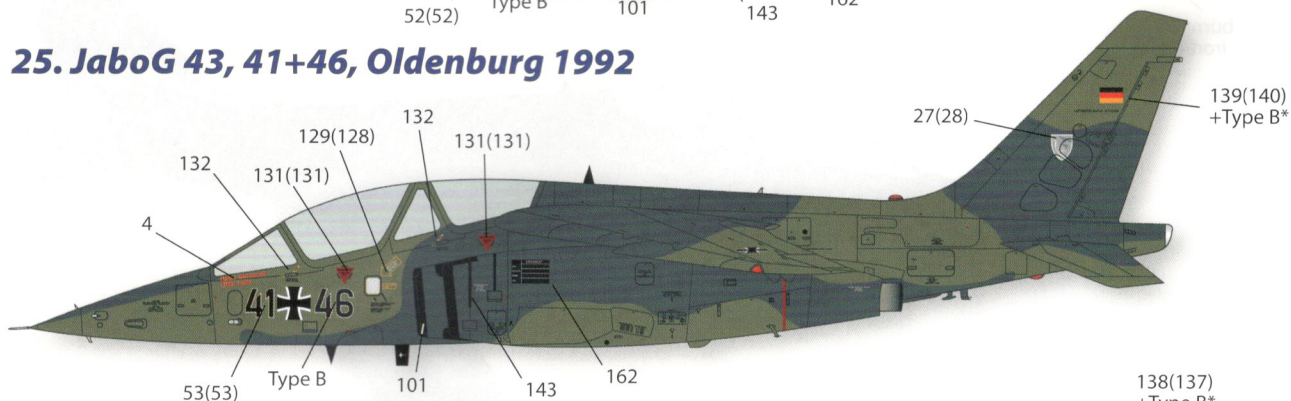
23. Norm 83 B Camouflage Scheme



24. JaboG 41, 40+57, Goose Bay, Canada, May 1992



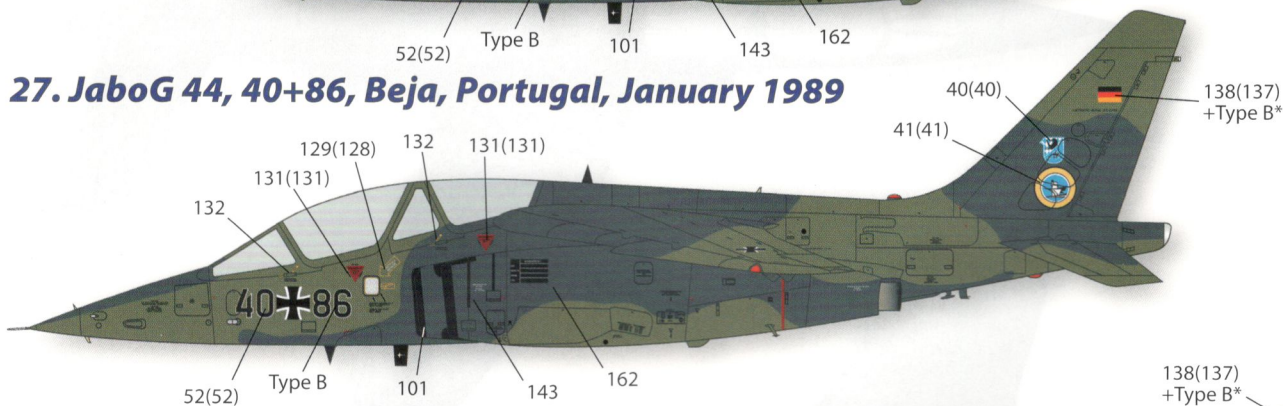
25. JaboG 43, 41+46, Oldenburg 1992



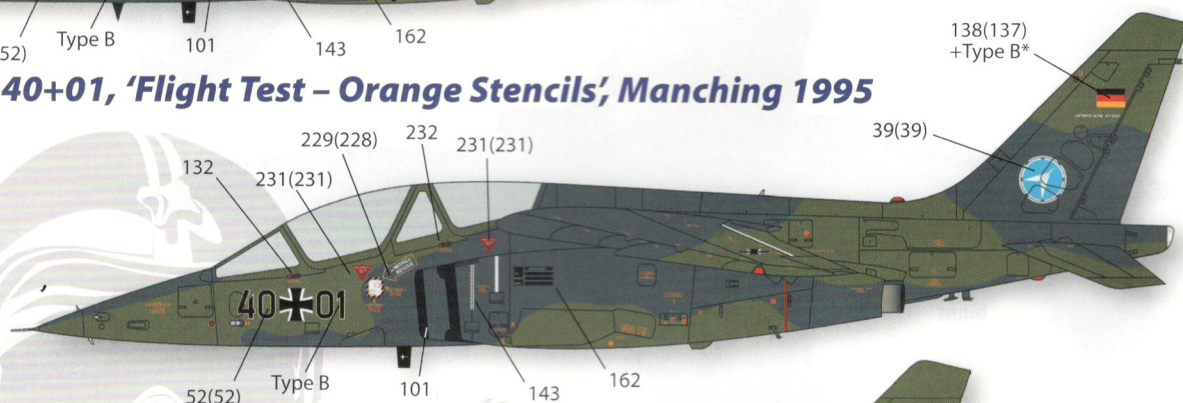
26. JaboG 43, 40+51, London/Ontario Air Show, Canada 1993



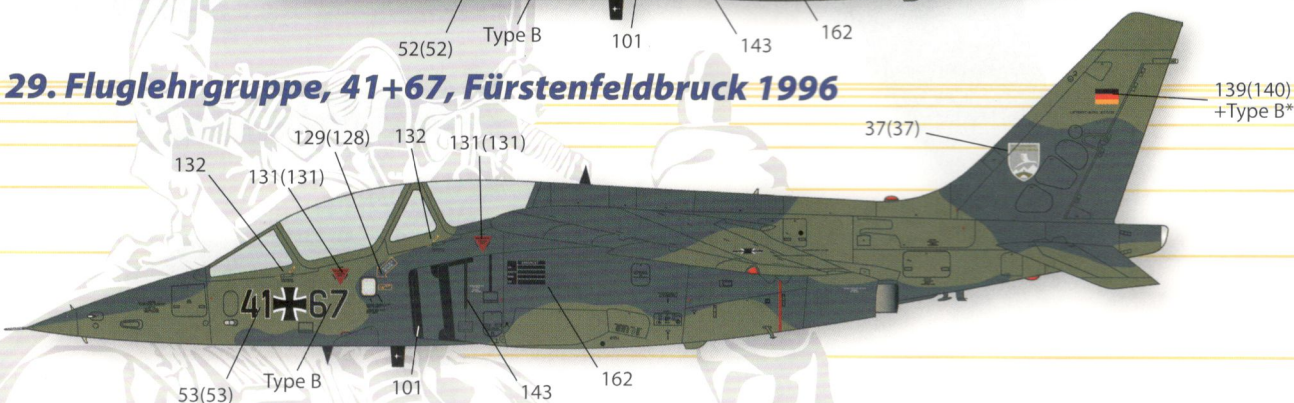
27. JaboG 44, 40+86, Beja, Portugal, January 1989



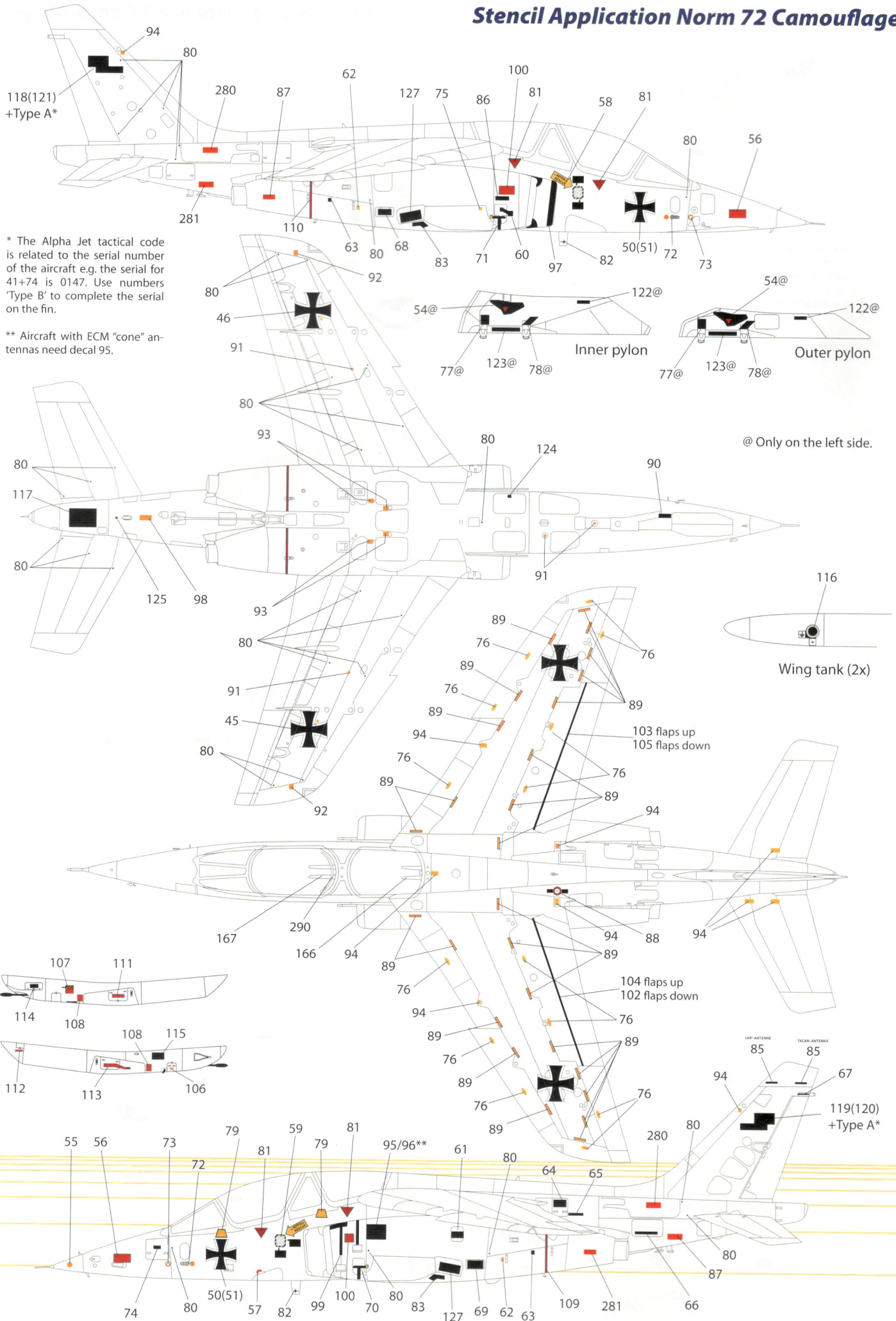
28. WTD 61, 40+01, 'Flight Test - Orange Stencils', Manching 1995



29. Fluglehrgruppe, 41+67, Fürstenfeldbruck 1996



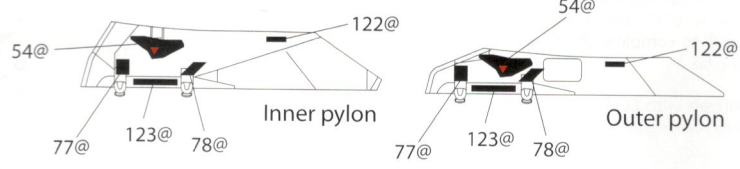
Stencil Application Norm 72 Camouflage



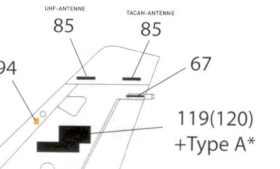
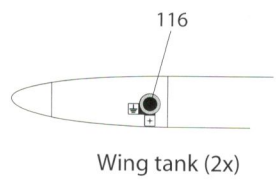
118(121)
+Type A*

* The Alpha Jet tactical code is related to the serial number of the aircraft e.g. the serial for 41+74 is 0147. Use numbers 'Type B' to complete the serial on the fin.

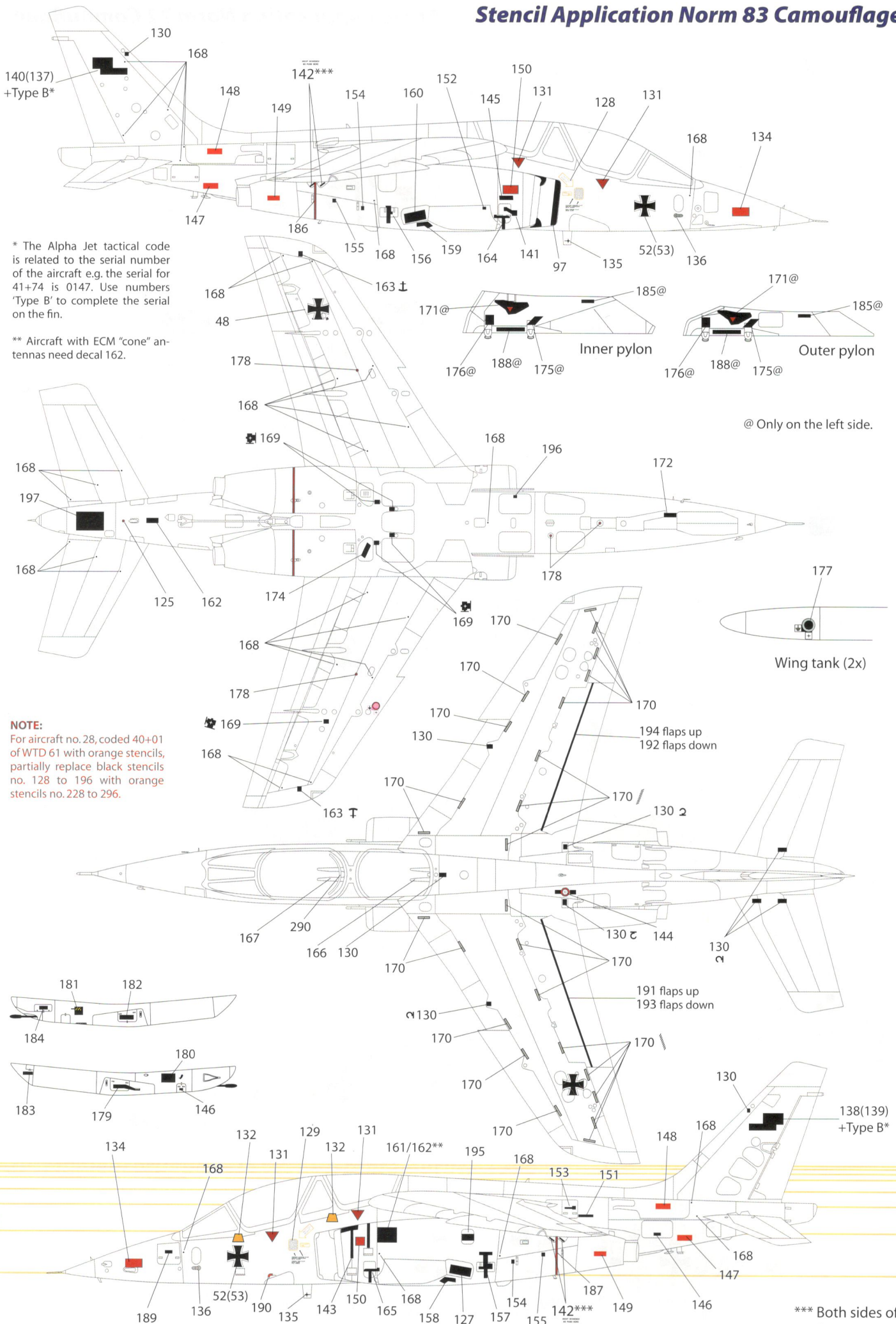
** Aircraft with ECM "cone" antennas need decal 95.



@ Only on the left side.



Stencil Application Norm 83 Camouflage



* The Alpha Jet tactical code is related to the serial number of the aircraft e.g. the serial for 41+74 is 0147. Use numbers 'Type B' to complete the serial on the fin.

** Aircraft with ECM "cone" antennas need decal 162.

@ Only on the left side.

NOTE:
For aircraft no. 28, coded 40+01 of WTD 61 with orange stencils, partially replace black stencils no. 128 to 196 with orange stencils no. 228 to 296.

*** Both sides of the actuators